

**TR-13**

**TR-15**

**TR-BL**

## CHARACTERISTICS

Inspection panels for drywall.

Size range: from 200x200 till 600x600. For different sizes please contact sales department.

Opening by pushing the panel's door, it gets closed by pushing locks.

The door can be disassembled in order to facilitate installation.

Storage and preservation over flat surfaces, the place should be protected from sun and raining.

- TR-13/15:
  - Aluminum frame inspection panel with green drywall plate waterproof.
  - Served with bag of screw y plugs for its own installation.
  - Served in cardboard box that protects the product.
  - Retaining element once the door is opened.
- TR-BL:
  - White galvanized sheet inspection panel (RAL 9016).
  - It has 4 flanges allowing the fixation to the supporting element.
  - Served in retractable film that protects the product.
  - The door rotates around spin axis with elastic spring.

Application: mainly used in drywall and ceilings.

APPLICATION USE



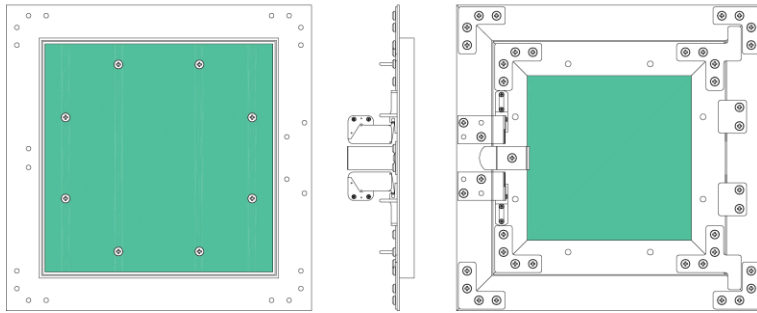
1. RANGE

ITEM	CODE	SIZES	PHOTO	MATERIAL
1	<b>TR-13</b>	From 200 x 200 mm till 600 x 600 mm		Aluminum frame with waterproof drywall plate of 12,5 mm.
2	<b>TR-15</b>	From 200 x 200 mm till 600 x 600 mm		Aluminum frame with waterproof drywall plate of 15 mm.
3	<b>TR-BL</b>	From 200 x 200 mm till 600 x 600 mm		White galvanized steel RAL 9016

2. INSTALLATION DATA

2.1 TR-13

Inspection panel for drywall 13 mm thickness



MATERIALS & GEOMETRY



Aluminum frame

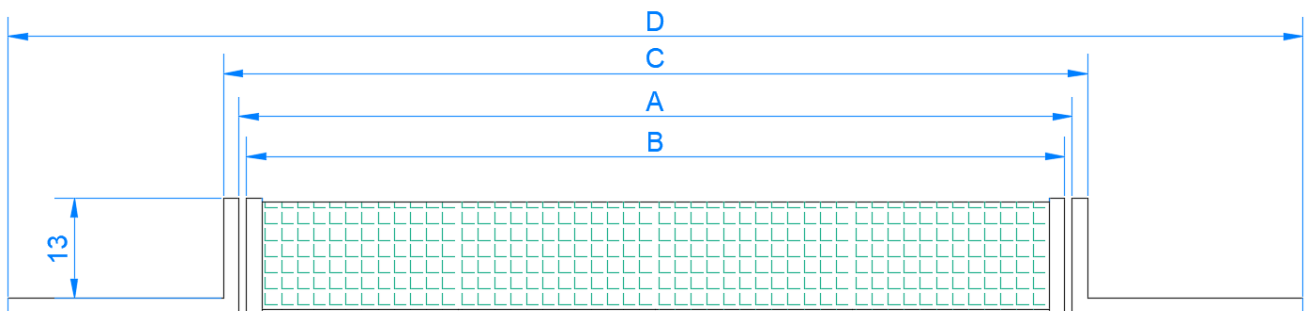


Waterproof drywall

CHARACTERISTICS

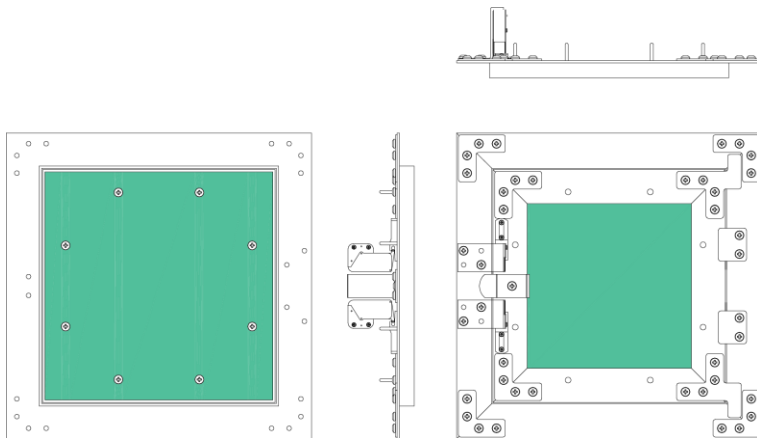
- Removable
- Drywall 12.5 mm thickness
- Plugs for the screws included
- Closing by pushing locks

CODE	A	B	C	D	Uds./KIT
TR13200200	195	193	197	235	2
TR13300300	295	293	297	335	2
TR13400400	395	393	397	435	2
TR13500500	495	493	497	535	1
TR13600600	595	593	597	635	1



2.2 TR-15

Inspection panel for drywall 15 mm thickness



MATERIALS & GEOMETRY



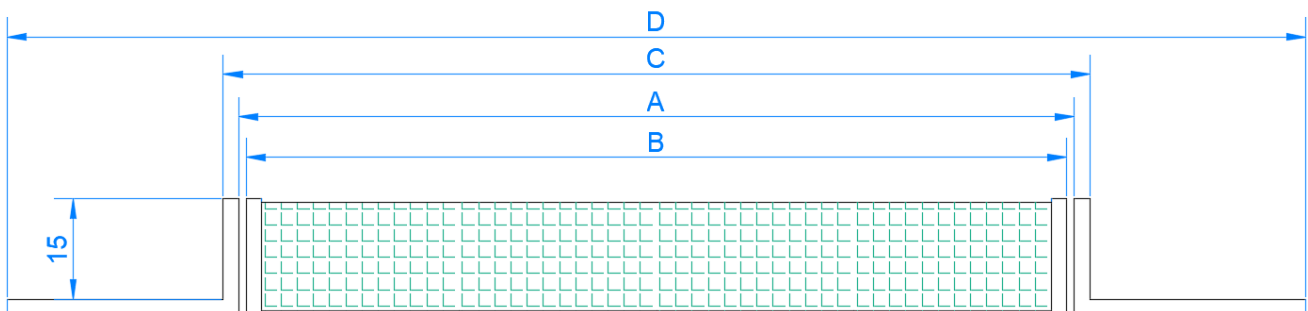
Aluminum frame

Waterproof drywall

CHARACTERISTICS

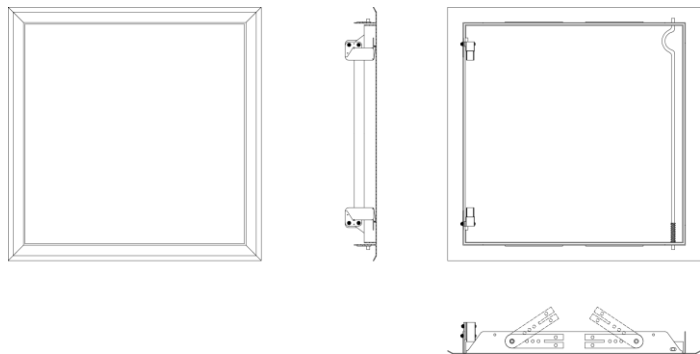
- Removable
- Drywall 15 mm thickness
- Plugs for the screws included
- Closing by pushing locks

CODE	A	B	C	D	Uds./KIT
TR15200200	195	193	197	235	2
TR15300300	295	293	297	335	2
TR15400400	395	393	397	435	2
TR15500500	495	493	497	535	1
TR15600600	595	593	597	635	1



2.3 TR-BL

White inspection panel for drywall



MATERIALS & GEOMETRY



Steel frame

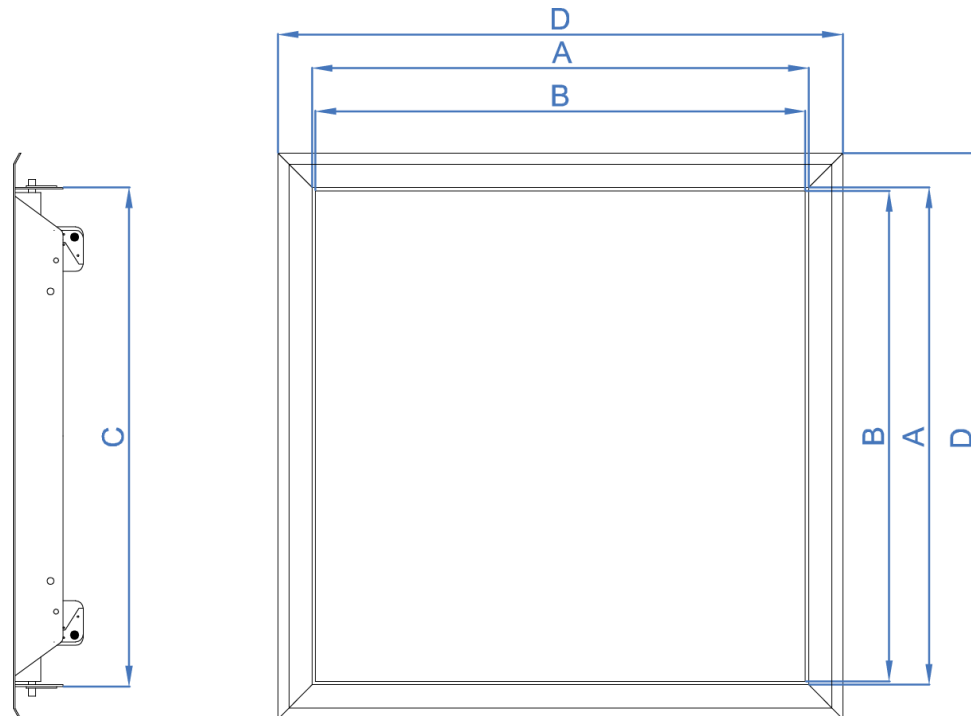


White lacquered galvanized steel (RAL 9016)

CHARACTERISTICS

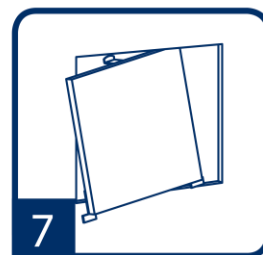
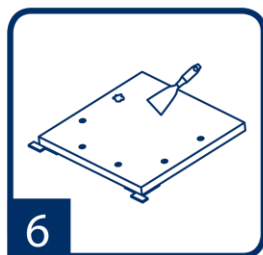
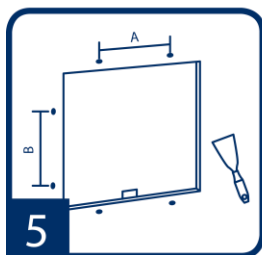
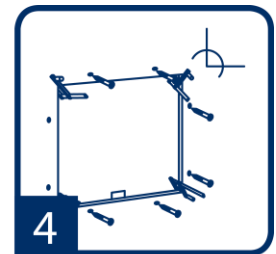
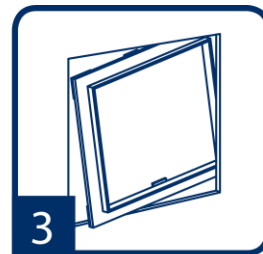
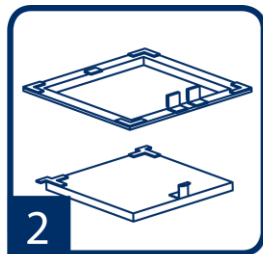
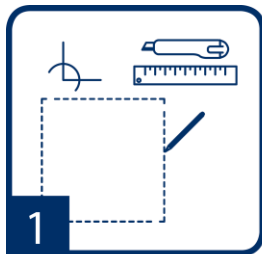
- Removable
- 4 fixing flanges
- Closing by pushing locks

CODE	A	B	C	D	Uds./KIT
TRBL200200	195	193	197	235	1
TRBL300300	295	293	297	335	1
TRBL400400	395	393	397	435	1
TRBL500500	495	493	497	535	1
TRBL600600	595	593	597	635	1



**3. INSTALLATION PROCEDURE**

**3.1. TR-13 / TR-15**



**1. DRAW & CUT**

Draw the area used by the inspection panel once it is installed, you can use a template or use the inspection panel itself. Once the area is drawn proceed to cut the panel.

**2. REMOVE THE DOOR**

Remove the door of the inspection panel, push the door. After the door is opened push down the safety flange in order to disassemble the door.

**3. ENTER THE FRAME**

Enter the aluminum frame in the hollow cut in step 1. Tilt the frame to take advantage of the longest length between vertexes.

**4. HOLD & MARK**

With the aluminum frame inside the panel, fix it to the drywall using clamps. Mark the screwing points. (see step 5)

**5. FIX THE FRAME**

Fix the frame to the drywall with self-drilling screws, use screws suitable for this material. Fix them in the points marked in step 4. These distances A & B should be always  $\leq 150$  mm.

**6. SEAL & PAINT**

Seal the screw heads once the frame has been fixed. Seal the screws of the door and paint the door's panel. Do it always with the door disassembled.

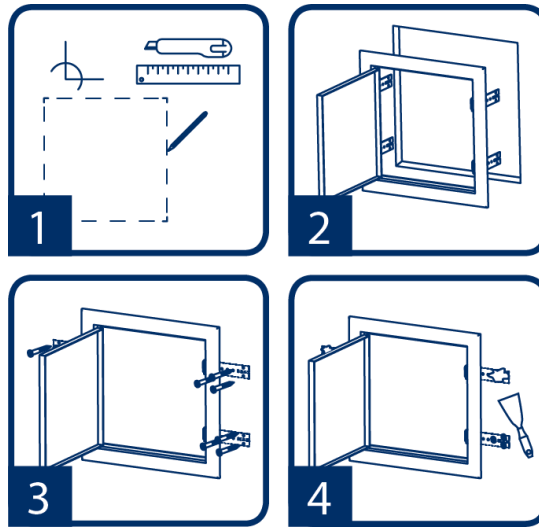
**7. PLACE**

Enter the door inside the hollow left by the frame.

**8. CLOSE**

After put it in position push the flange to its starting position and push the door to close the inspection panel.

**3.2 TR-BL**



**1. DRAW & CUT**

Draw the area used by the inspection panel once it is installed, you can use a template or use the inspection panel itself. Once the area is drawn proceed to cut the panel.

**2. HOLD THE DOOR**

Hold the door in the hollow cut in step 1. When the inspection panel is in position, bend the flanges. Make sure that the drywall is between the frame and the flanges. Mark the points of drilling.

**3. FIX THE FRAME**

Fix the frame to the drywall with self-drilling screws, use screws suitable for this material. Fix them in the points marked.

**4. SEAL & CLOSE**

Seal the screw heads used to fix the frame and paint it. Push the door to close it completely.