



AB-GX



EMP-X



RE-SX



RT-X



EG-X



PG-X



UN-EX/PX/TX



SC-RX



TU-GX



TU-MU



TG-X



TU-RX / TU-RX A2



TU-RXA



TO - GRX



SO-TP



SO-PG

CHARACTERISTICS

- Indextrut channel range: pre galvanized channels for heavy duty fluid piping.
- Great flexibility in assembly: suspended, directly fixed to walls, fixed to other perforated channels, etc.
- Compatible with the clamp range from the catalogue, both for piping and electrical needs.
- Ideal for specialized installers in this field.

BASE MATERIAL



APPLICATION EXAMPLES

































Channels and cantilevers for electrical and telecommunication installations and piping.

Cable tray Cantilevers.

Accessories which complement basic equipment.

1. RANGE

ITEM	PHOTO	REFERENCE	DESCRIPTION	MATERIAL	COATING
1		ABGX4121	Channel clamp Indextrut	 Steel	 Zinc-plated $\geq 5\mu\text{m}$
2		EMPX4121	Connecting piece for prof indextrut	 Steel	 Zinc-plated $\geq 5\mu\text{m}$
3		RESX300	Reinforcement support indextrut	 Steel	 Zinc-plated $\geq 5\mu\text{m}$
		RESX550			
4		RTX01	Rotule Indextrut	 Steel	 Zinc-plated $\geq 5\mu\text{m}$
5		EMX9002	Zinc-plated fixing plates Indextrut	 Steel	 Zinc-plated $\geq 5\mu\text{m}$
		EMX9004			
		EMX4502			
		EMX1302			
6		PGX4121	Profile bridges Indextrut	 Steel	 Zinc-plated $\geq 5\mu\text{m}$
		PGX4141			
7		UNEX412103	Angled brackets / plate / T shaped Indextrut	 Steel	 Zinc-plated $\geq 5\mu\text{m}$
		UNPX42101			
		UNPX42102			
		UNPX42103			
		UNPX42104			
		UNTX412104			
8		SCRX090	Heavy duty angled bracket	 Steel	 Zinc-plated $\geq 5\mu\text{m}$
9		TUGX08	Channel nut	 Steel	 Zinc-plated $\geq 5\mu\text{m}$
		TUGX10			
10		TUGXMU08	Channel spring nut Indextrut	 Steel	 Zinc-plated $\geq 5\mu\text{m}$
		TUGXMU10			

11		TGX0840	Profile buffer screws Indextrut		
		TGX0860			
		TGX1040			
		TGX1060			
12		TURX08	Nut quick fixation Indextrut		
		TURX10			
		TURX12			
13		TURXA208	Nut quick fixation Indextrut stainless steel A2		--
14		TURXA08	Nut Indextrut w/washer for quick fixation		
		TURXA10			
15		TGRX0830	Indextrut fast-fixing stop screw		
		TGRX0860			
		TGRX1030			
		TGRX1060			
		PAEXM10			
16		SOTP4121	Plastic cap for framing systems		--
		SOTP4141			
17		SOPG41	Isophonic rubber profile (20 m)		--

2. COMPATIBILITY TABLE.

			CHANNEL CANTILEVER ARMS					CHANNEL BRACKETS										CHANNEL U-FITTING	CHANNEL STUD NUTS				CHANNEL NUTS		PLASTIC CAPS																
			SPRX41211	SPRX41212	SPUX412100	SPUX412145	PRX01	RTX01	EMX4502	EMX9002	EMX1302	EMX9004	UNEX412103	UNTX412104	SCRX090	UNPX412101	UNPX412102	UNPX412103	UNPX412104	EMPX4121	PGX4121	PGX4141	TGRX0830	TGRX0860	TGRX1030	TGRX1060	TUGX08	TUGX10	TUGXMU08	TUGXMU10	TURX08	TURX10	TURX12	TURXA08	TURXA10	TURXA208	SOTP4121	SOTP4141			
Code	Size (mm)	Length (mm)	Horizontal	Vertical	0°	45°		45°	90°	130°	90°	3-hole L-joint	T-joint 4 holes	90°	1 hole	2 holes	3 holes	4 holes	Union of 2 guides			M8 x 30	M8 x 60	M10 x 30	M10 x 60	M8	M10	Spring nut	Spring nut												
SLOTTED STRUT CHANNELS	GPX412115	41x21x1,5	3000	●	●	●	●	●	●	●	●	●	●	●	●	●	●	●	●	●	●	●	●	●	●	●	●	●	●	●	●	●	●	●	●	●	●	●	●		
	GPX412120	41x21x2,0	3000	●	●	●	●	●	●	●	●	●	●	●	●	●	●	●	●	●	●	●	●	●	●	●	●	●	●	●	●	●	●	●	●	●	●	●	●	●	
	GPX412125	41x21x2,5	3000	●	●	●	●	●	●	●	●	●	●	●	●	●	●	●	●	●	●	●	●	●	●	●	●	●	●	●	●	●	●	●	●	●	●	●	●	●	●
	GPX414115	41x41x1,5	3000	●	●	●	●	●	●	●	●	●	●	●	●	●	●	●	●	●	●	●	●	●	●	●	●	●	●	●	●	●	●	●	●	●	●	●	●	●	●
	GPX414120	41x41x2,0	3000	●	●	●	●	●	●	●	●	●	●	●	●	●	●	●	●	●	●	●	●	●	●	●	●	●	●	●	●	●	●	●	●	●	●	●	●	●	●
	GPX414125	41x41x2,5	3000	●	●	●	●	●	●	●	●	●	●	●	●	●	●	●	●	●	●	●	●	●	●	●	●	●	●	●	●	●	●	●	●	●	●	●	●	●	●
CHANNEL CANTILEVER ARMS	SPX412115	41x21x2,5	150																							●	●												●		
	SPX412130	41x21x2,5	300																								●	●												●	
	SPX412145	41x21x2,5	450																								●	●												●	
	SPX414115	41x41x2,5	150																								●	●												●	
	SPX414130	41x41x2,5	300																								●	●												●	
	SPX414145	41x41x2,5	450																								●	●												●	
	SPX414160	41x41x2,5	600																								●	●												●	
	SPX414175	41x41x2,5	750																								●	●												●	
SPX414110	41x41x2,5	1000																								●	●												●		

3. INSTALLATION DATA

3.1 AB-GX

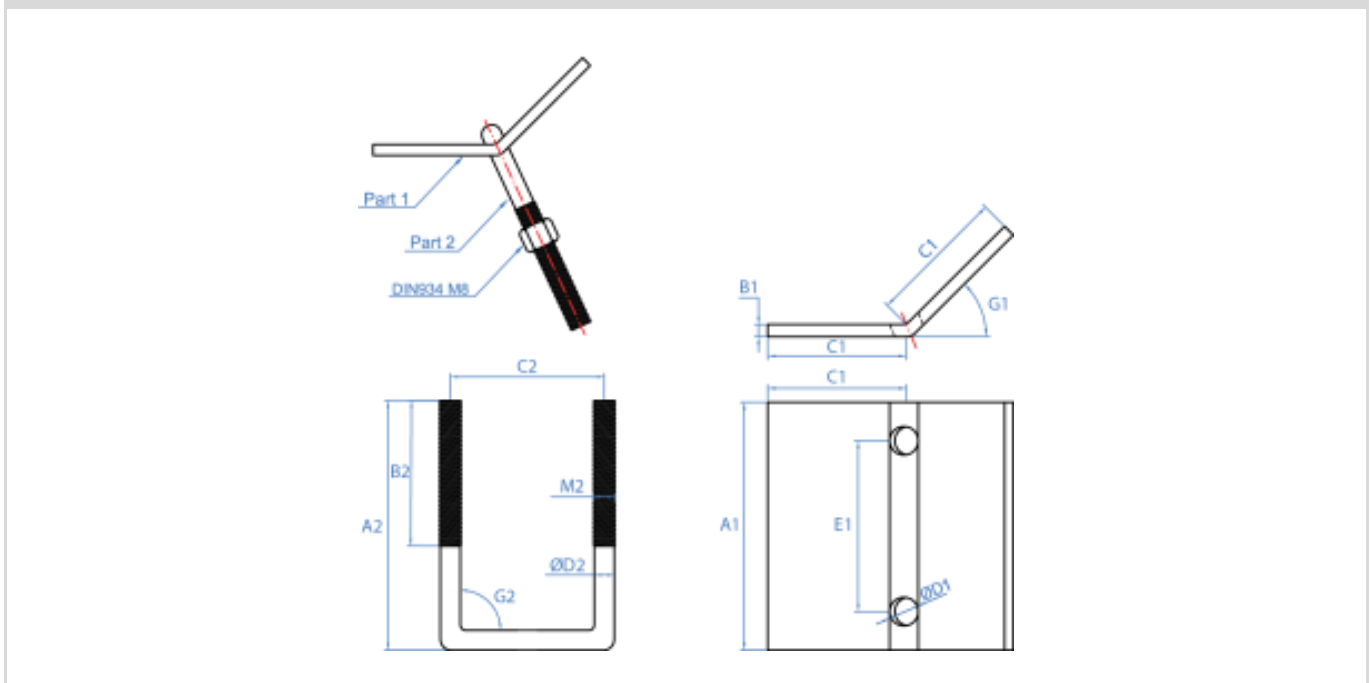
Channel clamp Indextrut

	Material	Coating	Valid for
	Steel	Zinc-plated	Indextrut slotted channel

Installation Data

Code	A1	A2	B1	B2	C1	C2	ØD1	ØD2	E1	G1	G2	M2
ABGX4121	80	96	4	53	45	56	10	7	55	45	90	M8

Drawing



Maximum recommended loads

Code	[kg]
ABGX4121	200

3.2 EMP-X

Connecting piece for profiles Indextrut

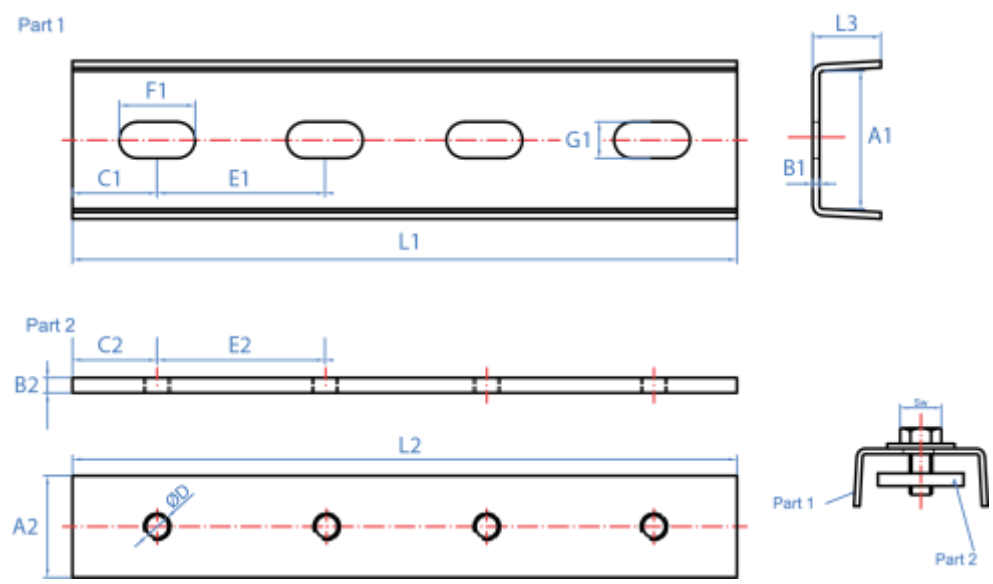


Material	Coating	Valid for
A	Z ZINC	
Steel	Zinc-plated	Indextrut slotted channel

Installation Data

Code	A1	A2	B1	B2	C1	C2	ØD	E1	E2	F1	G1	L1	L2	L3	SW
EMPX4121	41,5	30,5	2	4,5	25	25	M8	50	50	23	11	200	200	20,5	13

Drawing



3.3 RE-SX

Reinforcement support indextrut

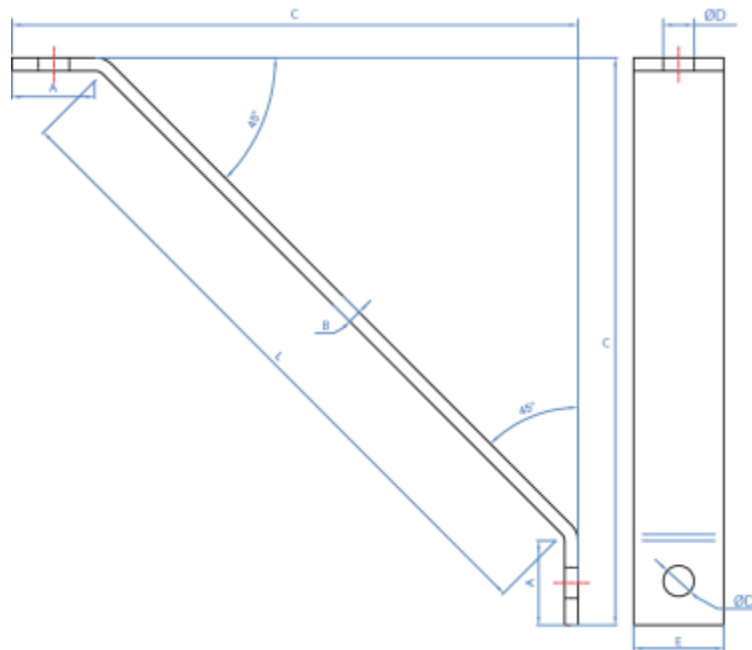


Material	Coating	Valid for
A	Z ZINC	
Steel	Zinc-plated	Indextrut slotted channel

Installation Data

Code	L	A	B	C	ØD	E
RESX300	300	40	6	252	14	41
RESX550	550	40	6	428	14	41

Drawing



3.4 R-TX

Rotule support indextrut

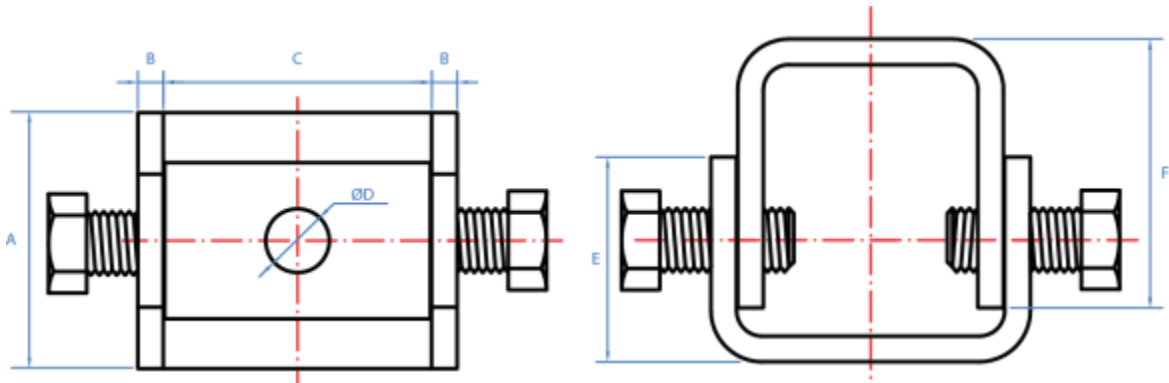


Material	Coating	Valid for
A	Z ZINC	
Steel	Zinc-plated	Indextrut slotted channel

Installation Data

Code	A	B	C	ØD	E	F
RTX01	50	5	53	12,5	40	52

Drawing





Maximum recommended loads

Code	Angle - kg		
RTX01	90° - 400	45°/135° - 500	180° - 600

3.5 EG-X

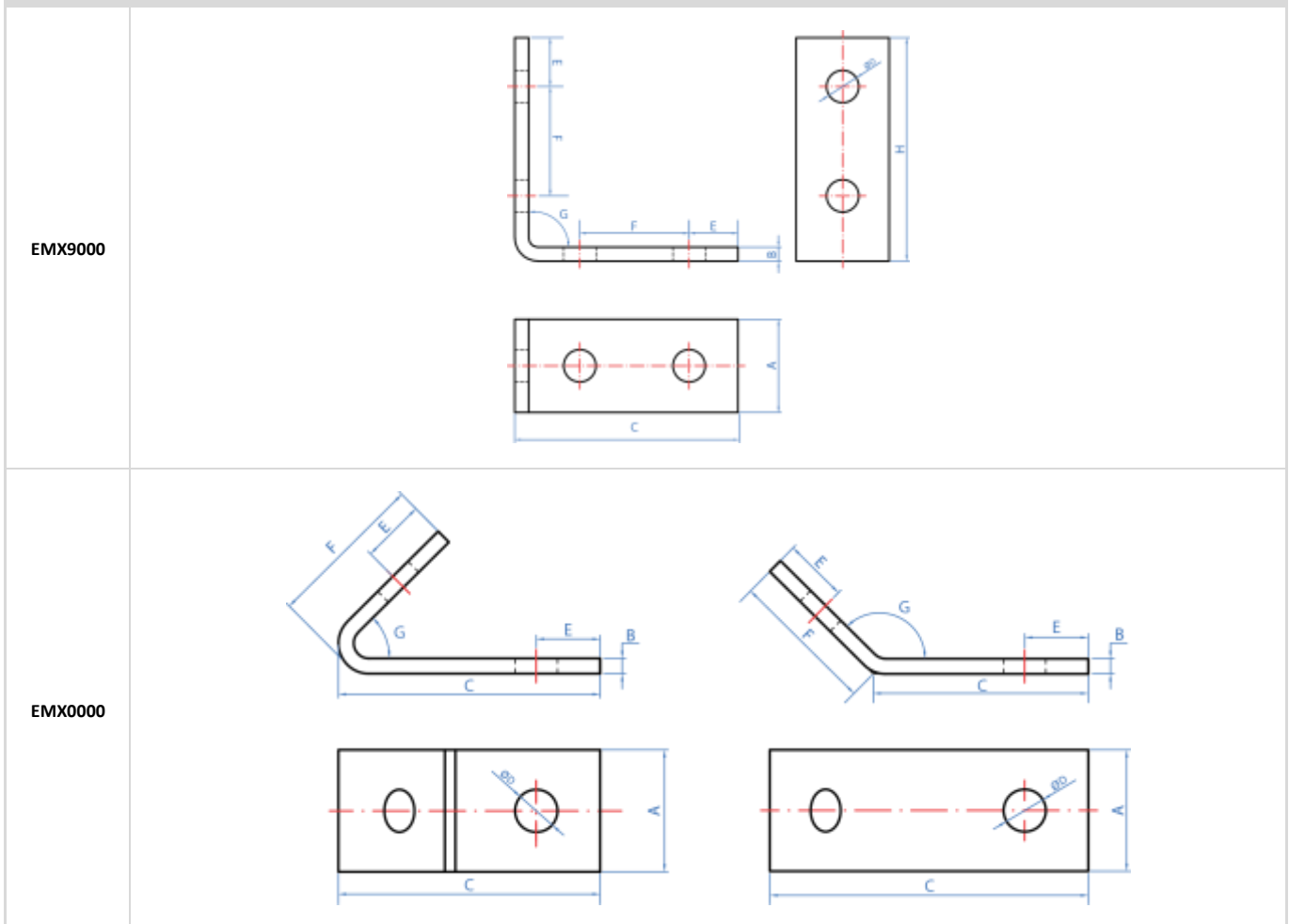
Zinc – plated fixing plates indextrut

	Material	Coating	Valid for
	 <p>Steel</p>	 <p>Zinc-plated</p>	 <p>Indextrut slotted channel</p>

Installation Data

Code	A	B	C	ØD	E	F	G	H	N° of holes
EMX9002	40	5	48	14	21	21	90°	51	2
EMX9004	40	5	95	14	21	21	90°	98	4
EMX4502	40	5	86	14	21	52	45	--	2
EMX1302	40	5	71	14	21	48	135	--	2

Drawing



Maximum recommended loads*

Code	[kg]	Code	[kg]	Code	[kg]	Code	[kg]
EMX9002	1000	EMX9004	1000	EMX4502	1000	EMX1302	1000

*Resistances for loads applied on structures without cantilever.

3.6 PG-X

Profile bridges indextrut

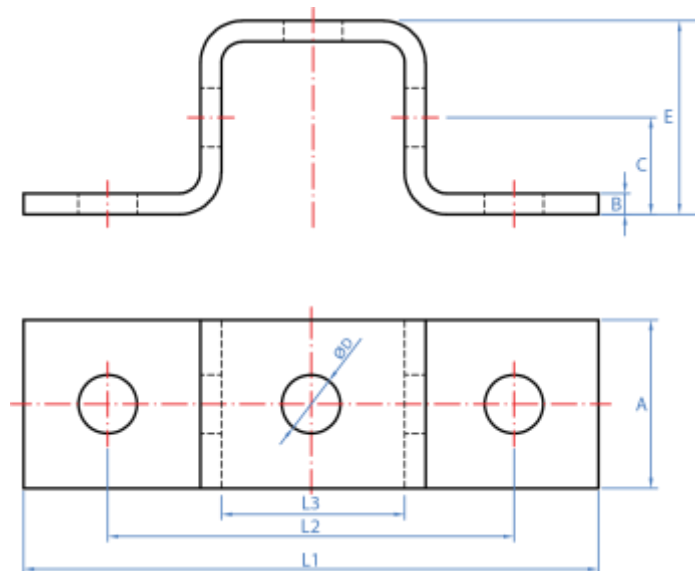


Material	Coating	Valid for
Steel	Zinc-plated	Indextrut slotted channel

Installation Data

Code	A	B	C	ØD	E	L1	L2	L3	N° of holes
PGX4121	40	5	--	14	27	137	95	43	3
PGX4141	40	5	20	14	47	137	95	43	5

Drawing



3.7 UN-EX / PX / TX

Angled brackets / plate / T shaped indextrut

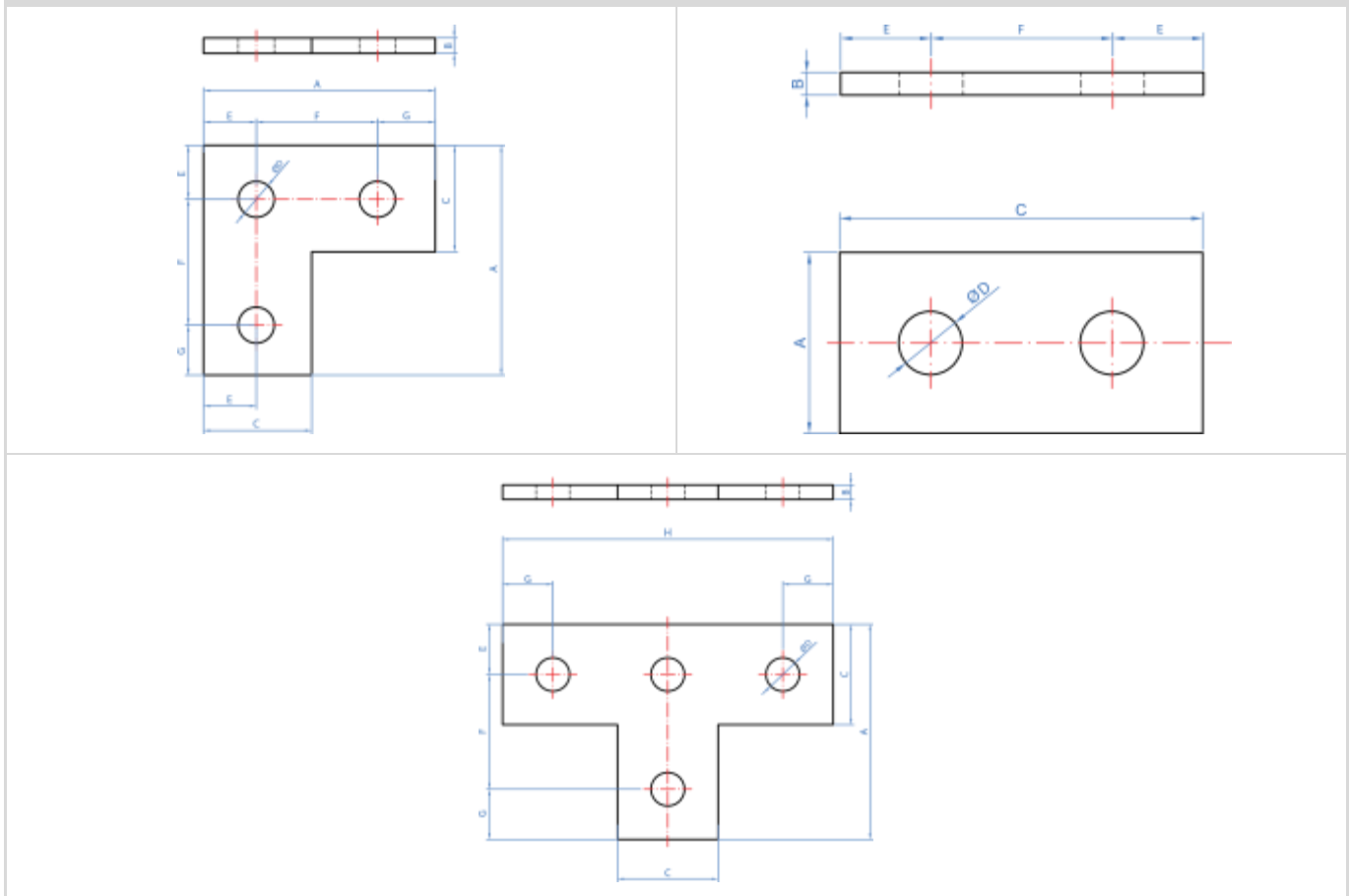


Material	Coating	Valid for
Steel	Zinc-plated	Indextrut slotted channel

Installation Data

Code	A	B	C	ØD	E	F	G	H	N° of holes
UNEX412103	89	5	40	14	20	48	21	--	3
UNPX42101	40	5	40	14	20	--	--	--	1
UNPX42102	40	5	90	14	21	48	--	--	2
UNPX42103	40	5	138	14	21	48	--	--	3
UNPX42104	40	5	186	14	21	48	--	--	4
UNTX412104	89	5	40	14	20	48	21	138	4

Drawing



3.8 SC-RX

Heavy duty angled bracket

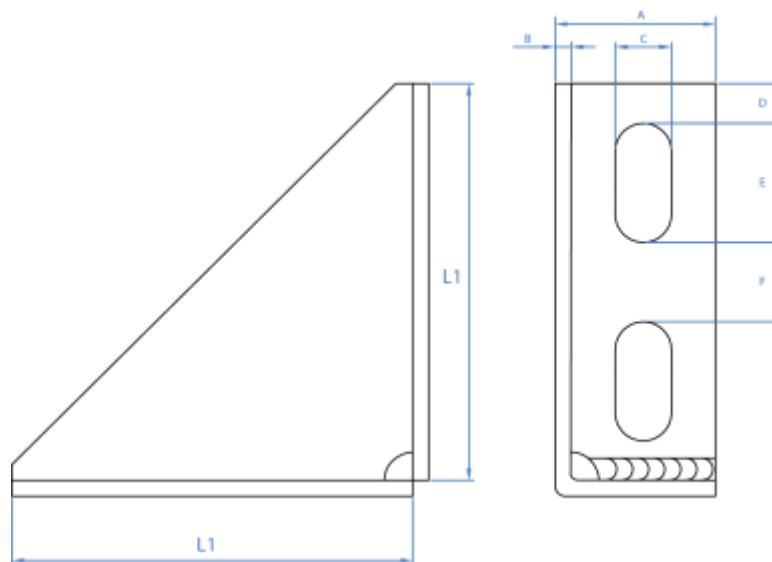


Material	Coating	Valid for
A	Z ZINC	
Steel	Zinc-plated	Indextrut slotted channel

Installation Data

Code	A	B	C	D	E	F	L1
SCRX090	40	4	14	10	30	20	100

Drawing



3.9 TU-GX

Channel nut

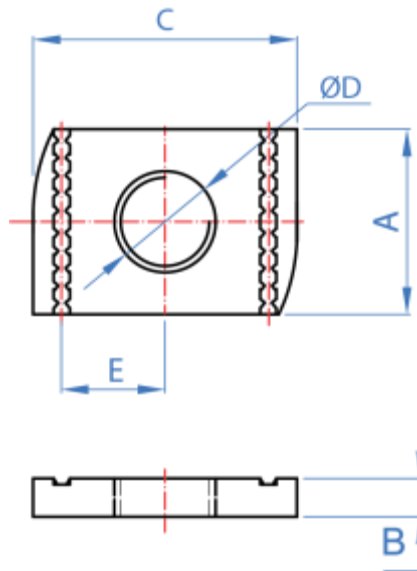


Material	Coating	Valid for
A	Z ZINC	
Steel	Zinc-plated	Indextrut slotted channel

Installation Data

Code	A	B	C	ØD	E
TUGX08	20	6	35	M8	12,5
TUGX10	20	8	35	M10	12,5

Drawing



Maximum recommended sliding and tension loads

Code	Channel	Installation torque [Nm]	Sliding load [kN]	Tension load [kN]
TUGX08	GPX412115 / GPX414115	14.9	1.19	4,07
TUGX10		25.8	1.23	
TUGX08	GPX412120 / GPX414120	14.9	1.19	7,34
TUGX10		25.8	1.23	
TUGX08	GPX412125 / GPX414125	14.9	1.19	8,11
TUGX10		25.8	1.23	

3.10 TU-MU

Channel spring nut Indextrut

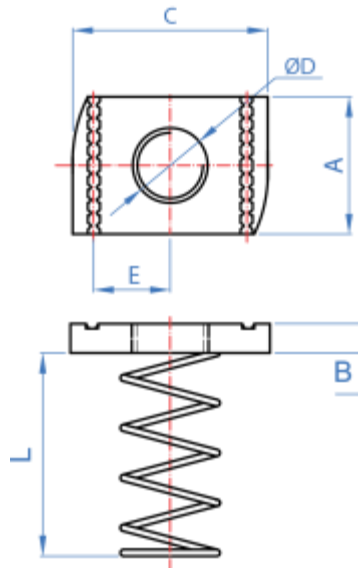


Material	Coating	Valid for
Steel	Zinc-plated	Indextrut slotted channel

Installation Data

Code	A	B	C	ØD	E	L
TUGXMU08	20	6	35	M8	12,5	40
TUGXMU10	20	8	35	M10	12,5	40

Drawing



Maximum recommended sliding and tension loads

Code	Channel	Installation torque [Nm]	Sliding load [kN]	Tension load [kN]
TUGXMU08	GPX412115 / GPX414115	14.9	1.19	4,07
TUGXMU10		25.8	1.23	
TUGXMU08	GPX412120 / GPX414120	14.9	1.19	7,34
TUGXMU10		25.8	1.23	
TUGXMU08	GPX412125 / GPX414125	14.9	1.19	8,11
TUGXMU10		25.8	1.23	

3.11 TG-X

Profile buffer screws Indextrut

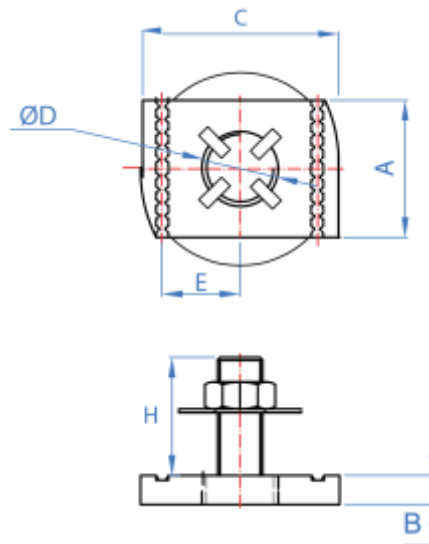


Material	Coating	Valid for
Steel	Zinc-plated	Indextrut slotted channel

Installation Data

Code	A	B	C	ØD	E	H
TGX0840	20	6	35	M8	12,5	40
TGX0860	20	6	35	M8	12,5	60
TGX1040	20	8	35	M10	12,5	40
TGX1060	20	8	35	M10	12,5	60

Drawing







Maximum recommended sliding and tension loads

Code	Channel	Installation torque [Nm]	Sliding load [kN]	Tension load [kN]
TGX0840 / TGX0860/ TGX1040 / TGX1060	GPX412115 / GPX414115	10	1.13	4,07
TGX0840 / TGX0860/ TGX1040 / TGX1060	GPX412120 / GPX414120	10	1.13	7,34
TGX0840 / TGX0860/ TGX1040 / TGX1060	GPX412125 / GPX414125	10	1.13	8,11

3.12 TU-RX

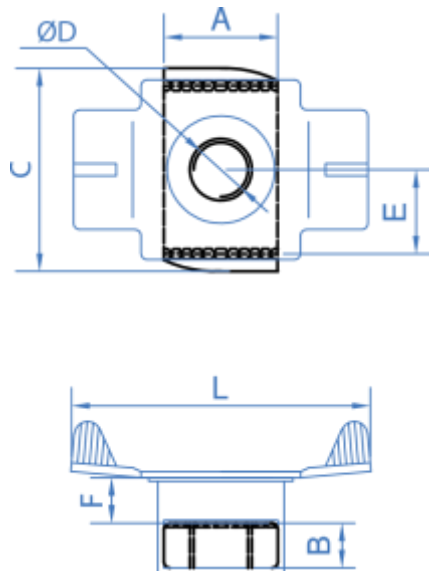
Quick nut fixation indextrut

	Material	Coating	Valid for
			
	Steel	Zinc-plated	Indextrut slotted channel

Installation Data

Code	A	B	C	ØD	E	F	L
TURX08	20	6	35	M8	12,5	6	50
TURX10	20	9	35	M10	12,5	6	50
TURX12	20	9	35	M12	12,5	6	50

Drawing



Maximum recommended sliding and tension loads

Code	Channel	Installation torque [Nm]	Sliding load [kN]	Tension load [kN]
TURX08	GPX412115 / GPX414115	14.9	1.19	4,07
TURX10		25.8	1.23	
TURX12		30	1.42	
TURX08	GPX412120 / GPX414120	14.9	1.19	7,34
TURX10		25.8	1.23	
TURX12		30	1.42	
TURX08	GPX412125 / GPX414125	14.9	1.19	8,11
TURX10		25.8	1.23	
TURX12		30	1.42	

3.13 TU-RX A2

Quick nut fixation indextrut stainless steel A2

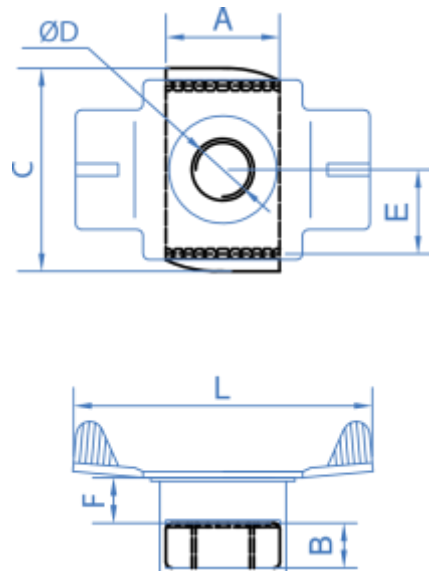


Material	Coating	Valid for
	--	
Stainless Steel	--	Indextrut slotted channel

Installation Data

Code	A	B	C	ØD	E	F	L
TURX08	20	6	35	M8	12,5	6	50

Drawing



Maximum recommended sliding and tension loads

Code	Channel	Installation torque [Nm]	Sliding load [kN]	Tension load [kN]
TURXA208	GPX412115 / GPX414115	14.9	1.19	4.07
	GPX412120 / GPX414120			7.34
	GPX412125 / GPX414125			8.11

3.14 TU-RXA

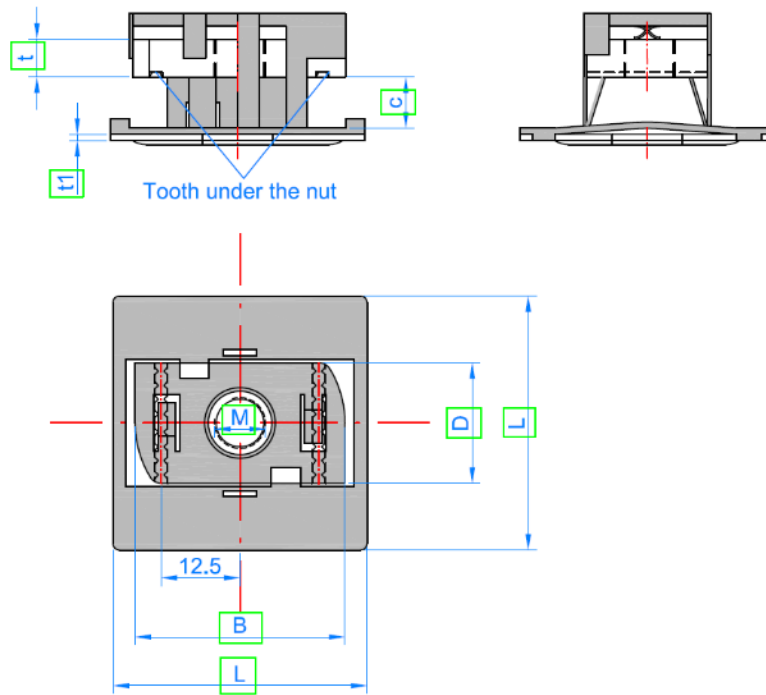
Nut indextrut w/washer quick fixation



Material	Coating	Valid for
A	Z ZINC	
Steel	Zinc-plated	Indextrut slotted channel

Code	A	B	E	M	L
TURXA08	19	33	12,5	M8	40
TURXA10	19	33	12,5	M10	40

Drawing



Maximum recommended sliding and tension loads

Code	Channel	Installation torque [Nm]	Sliding load [kN]	Tension load [kN]
TURXA08	GPX412115 / GPX414115	14.9	1.19	4,07
TURXA10		25.8	1.23	
TURXA12	GPX412120 / GPX414120	14.9	1.19	7,34
TURXA08		25.8	1.23	
TURXA10	GPX412125 / GPX414125	14.9	1.19	8,11
TURXA12		25.8	1.23	

3.15 TO-GRX

Indextrut fast-fixing stop screw

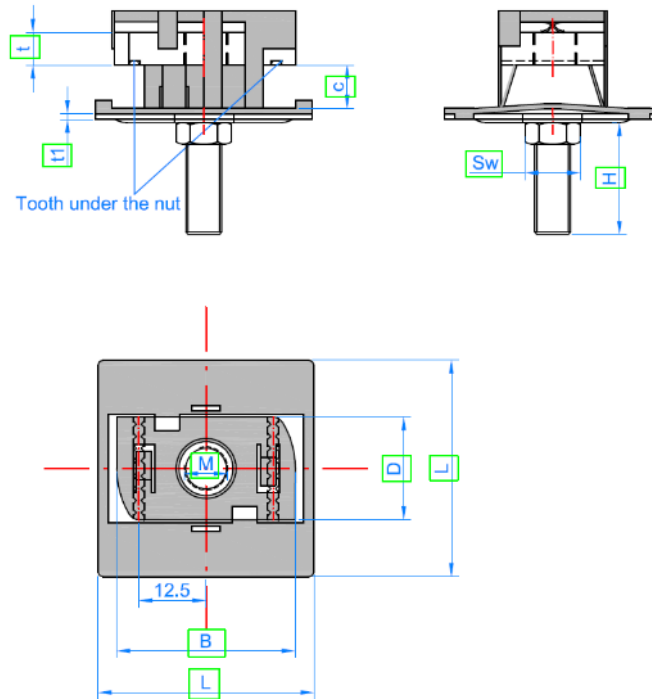


Material	Coating	Valid for
A	Z ZINC	
Steel	Zinc-plated	Indextrut slotted channel

Installation Data

Code	A	B	E	H	M	L	SW
TGRX0830	19	33	12,5	30	M8	40	13
TGRX0860	19	33	12,5	60	M8	40	13
TGRX1030	19	33	12,5	30	M10	40	17
TGRX1060	19	33	12,5	60	M10	40	17

Drawing



Maximum recommended sliding and tension loads

Code	Channel	Installation torque [Nm]	Sliding load [kN]	Tension load [kN]
TGRX0830 / TGRX0860	GPX412115 / GPX414115	14.9	1.19	4,07
TGRX1030 / TGRX1060		25.8	1.23	
TGRX0830 / TGRX0860	GPX412120 / GPX414120	14.9	1.19	7,34
TGRX1030 / TGRX1060		25.8	1.23	
TGRX0830 / TGRX0860	GPX412125 / GPX414125	14.9	1.19	8,11
TGRX1030 / TGRX1060		25.8	1.23	

3.16 SO-TP

Plastic cap for framing systems



Material



Polypropylene

Valid for

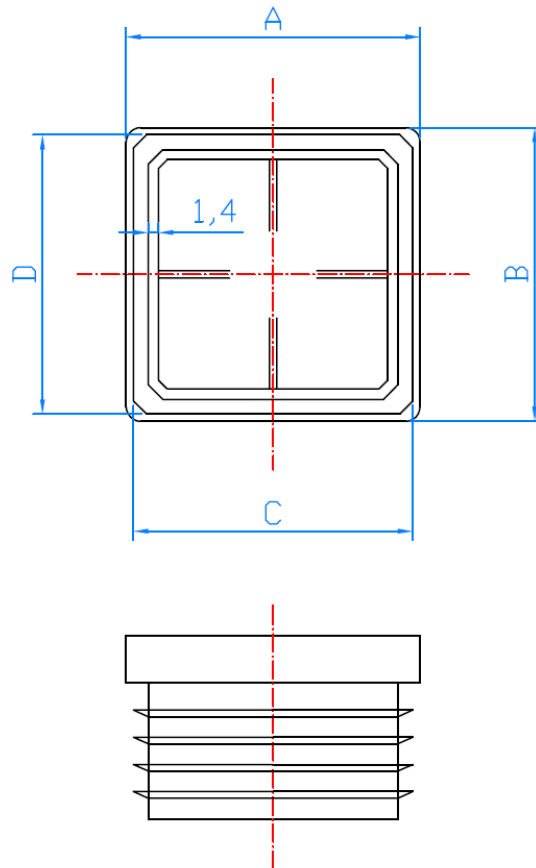


Indextrut slotted channel

Installation Data

Code	A	B
SOTP4121	41	21
SOTP4141	41	41

Drawing



3.17 SO-PG

Isophonic rubber profile



Material	Valid for
	
Goma EPDM (20 m)	Indextrut slotted channel

Installation Data

Code	A	B	C	D
SOPG41	41	25,5	8	19

Drawing

