



SV-N



SV-C



CFBL



PA-CX



PA-CC



GM-Z

CHARACTERISTICS

Wing grip screw, u nail with principle of operation by tapping or nailing.

Easy installation.

For use in wood.







Versions:

- Brass nail flat head
- Copper-plated lead bit conical head
- Wing grip screw
- U nail

BASE MATERIAL



1.RANGE

ITEM	CODE	SIZES	PHOTO	COMPONENT
1	SV-N	Two sizes		Wing grip screw
2	SV-C	One size		2-bit wing grip screw
3	CFBL	One size		Wall-mounting strips for hanging frames
4	PA-CX	1,1 x 10 ÷ 1,8 x 30		Brass nail flat head
5	PA-CC	1,5 x 15 ÷ 2,0 x 50		Copper-plated lead bit conical head
6	GM-Z	8 x 12 ÷ 19 x 35		U nail

2. INSTALLATION DATA

2.1 SVN

Wing grip screw



Properties



Steel

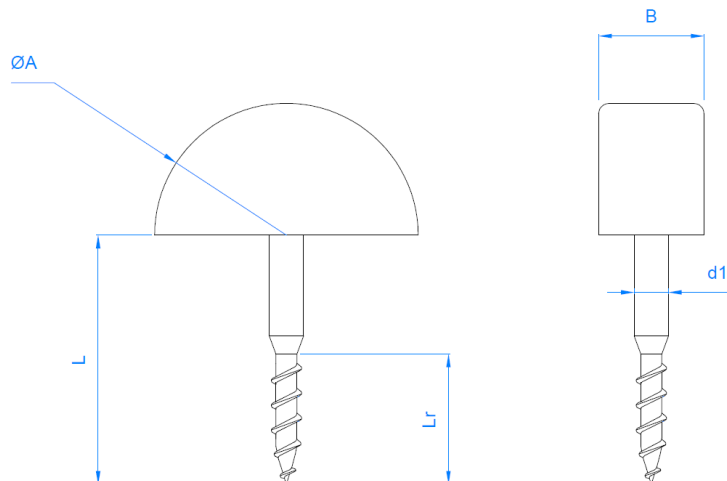


Zinc-plated

Dimensions

CODE	SIZES	ØA	B	L	Lr	D1
SVNB01	Small white	9,8	6,7	12,9	7,5	2,5
SVNB02	Large white	13,5	8,6	18,1	7,5	2,8
SVNM01	Small brown	9,8	6,7	12,9	7,5	2,5
SVNM02	Large brown	13,5	8,6	18,1	7,5	2,8

DRAWING



2.2 SVC

2-bit wing grip screw



Properties



Steel

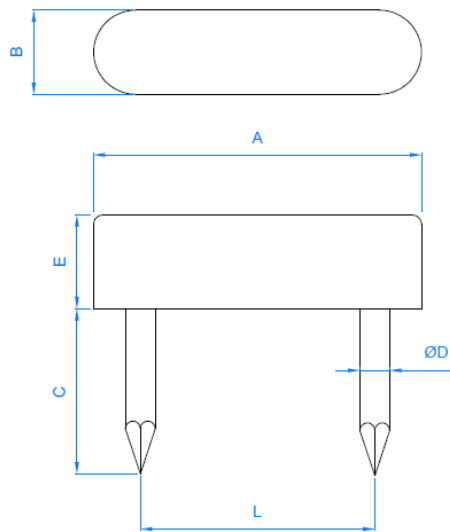


Zinc-plated

Dimensions

CODE	SIZES	ØA	B	L	Lr	D	D1
SVCBL	White	18,6	7,6	12,0	1,35	6,0	9,2
SVCMA	Brown						

DRAWING



2.3 CF-BL

Wall-mounting strips for hanging frames



Properties



Steel

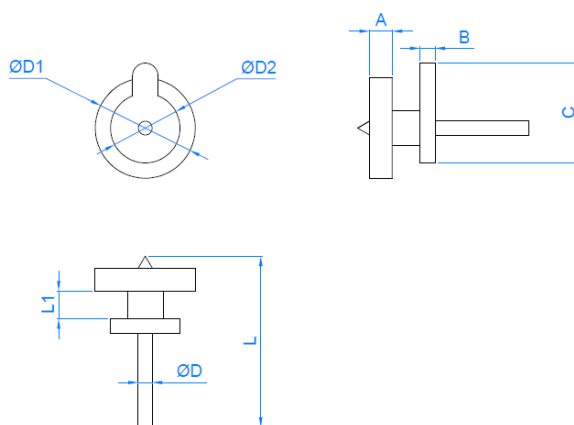


Zinc-plated

Dimensions

CODE	SIZES	A	B	L	L1	ØD	ØD1	ØD2
CFBL	White	2,4	1,5	17,5	3,0	1,4	9,95	6,95

DRAWING



2.4 PA-CX

Brass nail flat head



Properties

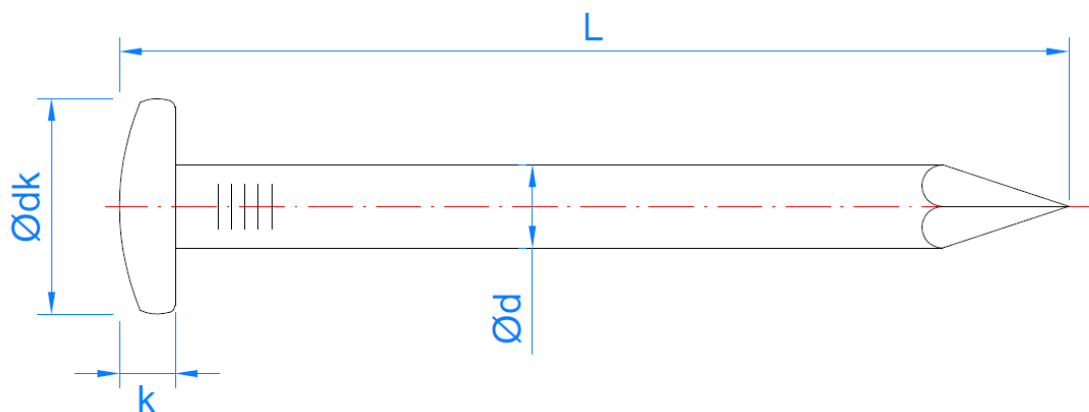


Brass

Dimensions

CODE	SIZES	Ød [mm]	L [mm]	Ødk [mm]
PACX11010	1,1 x 10	1,1	10	3,3
PACX13012	1,3 x 12	1,3	12	3,3
PACX13020	1,3 x 20	1,3	20	3,3
PACX15016	1,5 x 16	1,5	16	4,0
PACX15025	1,5 x 20	1,5	25	4,0
PACX18030	1,8 x 30	1,8	30	4,0

DRAWING



2.5 PA-CC

Copper-plated lead bit conical head

Properties



Steel



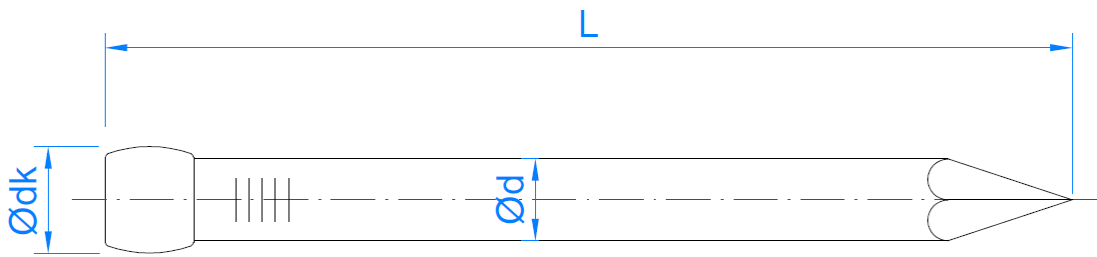
Copper-plated



Dimensions

CODE	SIZES	Ød [mm]	L [mm]	Ødk [mm]
PACC15015	1,5 x 15	1,5	15	1,9
PACC15020	1,5 x 20	1,5	20	1,9
PACC15025	1,5 x 25	1,5	25	1,9
PACC20025	2,0 x 25	2,0	25	2,5
PACC20030	2,0 x 30	2,0	30	2,5
PACC20035	2,0 x 35	2,0	35	2,5
PACC20040	2,0 x 40	2,0	40	2,5
PACC20045	2,0 x 45	2,0	45	2,5
PACC20050	2,0 x 50	2,0	50	2,5

DRAWING



2.6 GM-Z

U nail



Properties



Steel

Zinc-plated

Dimensions

CODE	SIZES	ØD [mm]	L [mm]
GMZ08012	8 x 12	8	12
GMZ10016	10 x 16	10	16
GMZ12020	12 x 20	12	20
GMZ15026	15 x 26	15	26
GMZ17030	17 x 30	17	30
GMZ19035	19 x 35	19	35

DRAWING

