



MTH



MTH-AT



MTH-A2



MTH-A4



CHARACTERISTICS

- Roughness working principle; installation by controlled torque.
- Use for high loads.
- Assessed for two installation depths.
- Easy installation.
- Use in non-cracked concrete.
- Previous installation, or through the fixture.
- Use for static or quasi-static loads.
- Three versions zinc plated, stainless steel A2 and A4.
- Variety of lengths and sizes, assembly flexibility.
- DIN 440 for fixing wood structures to concrete.
- Available in INDEXcal

BASE MATERIAL



SIZE RANGE

M6 - M20

DRILL HOLE CONDITION



DRY

WET

FLOODED

APPLICATION

- Structural applications in non-cracked concrete.
- Safety barriers.
- Billboards, machinery, boilers, signals, Steel beams, etc.
- Fixings wood structures in concrete.

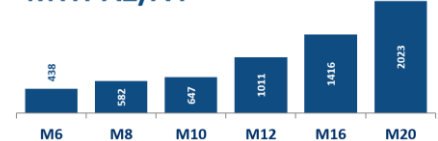
MAXIMUM LOADS RECOMMENDED IN NON-CRACKED CONCRETE [kg]

MTH/MTH-AT



*M14 only for MTH

MTH-A2/A4



APPLICATION EXAMPLES



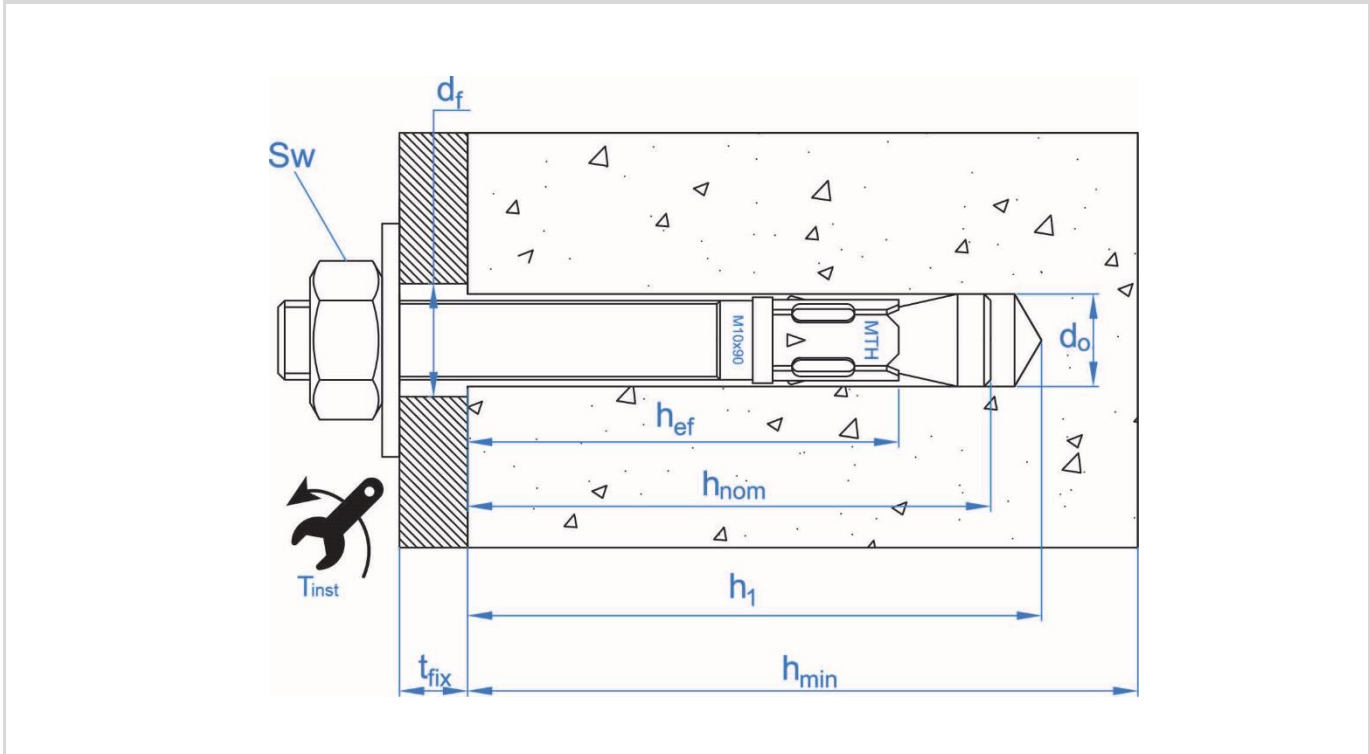
1. RANGE					
ITEM	CODE	SIZE	PHOTO	COMPONENT	MATERIAL
1	AH	M6 to M20		Bolt Clip Nut Washer	Carbon steel cold formed, zinc-plated $\geq 5\mu\text{m}$ Carbon steel, zinc-plated $\geq 5\mu\text{m}$ DIN 934 class 6 ISO 898-1 zinc-plated $\geq 5\mu\text{m}$ DIN 125, DIN 9021 o DIN 440 zinc-plated $\geq 5\mu\text{m}$
2	AHAT	M6 to M20		Bolt Clip Nut Washer	Carbon steel cold formed, atlantis $\geq 8\mu\text{m}$ Carbon steel, atlantis $\geq 8\mu\text{m}$ DIN 934 class 6 ISO 898-1 atlantis $\geq 8\mu\text{m}$ DIN 125, DIN 9021 o DIN 440 atlantis $\geq 8\mu\text{m}$
3	MI	M6 to M20		Bolt Clip Nut Washer	Stainless steel, grade A2 Stainless steel, grade A2 DIN 934 stainless steel, grade A2 DIN 125, DIN 9021 o DIN 440 stainless steel, grade A2
4	MIA4	M6 to M20		Bolt Clip Nut Washer	Stainless steel, grade A4 Stainless steel, grade A4 DIN 934 stainless steel, grade A4 DIN 125, DIN 9021 o DIN 440 stainless steel, grade A4

2. ACCESSORIES

ITEM	CODE	PHOTO	DESCRIPTION
1	DOMTA		Accessory for anchor installation with hammer drill

3. INSTALLATION DATA

3.1. INSTALLATION DRAWING



3.2. INSTALLATION PARAMETERS

General installation parameters				Standard installation depth												Reduced installation depth													
Family	Code	Size / Bolt Letter	Assessed	Drill bit diameter	Fixture clearance hole	Torque	Minimum allowable spacing	Minimum allowable edge distance	Minimum concrete thickness	Depth of drill hole ≥	Installation depth	Effective anchorage depth	Thickness of fixture ≤	Critical spacing (concrete cono)	Critical edge distance(concrete cone)	Critical spacing (splitting)	Critical edge distance(splitting)	Minimum concrete thickness	Depth of drill hole ≥	Installation depth	Effective anchorage depth	Thickness of fixture ≤	Critical spacing (concrete cono)	Critical edge distance(concrete cone)	Critical spacing (splitting)	Critical edge distance(splitting)			
[--]	[--]	[--]	ETA	d ₀	d _f	T _{inst}	S _{min}	C _{min}	h _{min}	h ₁	h _{nom}	h _{ef}	t _{fix}	S _{cr,N}	C _{cr,N}	S _{cr,sp}	C _{cr,sp}	h _{min}	h ₁	h _{nom}	h _{ef}	t _{fix}	S _{cr,N}	C _{cr,N}	S _{cr,sp}	C _{cr,sp}			
				[mm]	[mm]	[Nm]	[mm]	[mm]	[mm]	[mm]	[mm]	[mm]	[mm]	[mm]	[mm]	[mm]	[mm]	[mm]	[mm]	[mm]	[mm]	[mm]	[mm]	[mm]	[mm]	[mm]	[mm]		
MTH	AH06060	M6 x 60 (B)	✓	6	7	7	35	35	100	55	49,5	40	2	120	60	160	80	--	--	--	--	--	--	--	--	--	--	--	
	AH06070	M6 x 70 (C)	✓										12																--
	AH06080	M6 x 80 (D)	✓										22																--
	AH06090	M6 x 90 (E)	✓										32																--
	AH06100	M6 x 100 (E)	✓										42																--
	AH06110	M6 x 110 (F)	✓										52																--
	AH06120	M6 x 120 (G)	✓										62																--
	AH06130	M6 x 130 (H)	✓										72																--
	AH06140	M6 x 140 (I)	✓										82																--
	AH06150	M6 x 150 (I)	✓										92																--
	AH06160	M6 x 160 (J)	✓										102																--
	AH06170	M6 x 170 (K)	✓										112																--
	AH06180	M6 x 180 (L)	✓	122	--																								
	AH08060	M8 x 60 (B)	✓	8	9	20	40	40	--	--	--	--	--	--	--	--	--	--	100	50	46,5	35	3	105	53	140	70		
	AH08075	M8 x 75 (C)	✓						5	18																			
	AH08090	M8 x 90 (E)	✓						20	33																			
	AH08100	M8 x 100 (E)	✓						30	43																			
	AH08115	M8 x 115 (G)	✓						45	58																			
	AH08120	M8 x 120 (G)	✓						50	63																			
	AH08130	M8 x 130 (H)	✓						60	73																			
	AH08155	M8 x 155 (J)	✓						85	98																			
AH10070	M10 x 70 (C)	✓	10	12	35	50	50	--	--	--	--	--	--	--	--	--	--	100	60	53,5	42	3	126	63	168	84			
AH10080	M10 x 80 (D)	✓						--	13																				
AH10090	M10 x 90 (E)	✓						10	23																				
AH10100	M10 x 100 (E)	✓						20	33																				
AH10120	M10 x 120 (G)	✓						110	75	66,5	55	20	165	83	220	110	33												
								40	53																				

3.2. INSTALLATION PARAMETERS

General installation parameters				Standard installation depth												Reduced installation depth																							
Family	Code	Size / Bolt Letter	Assessed	Drill bit diameter	Fixture clearance hole	Torque	Minimum allowable spacing	Minimum allowable edge distance	Minimum concrete thickness	Depth of drill hole \geq	Installation depth	Effective anchorage depth	Thickness of fixture \leq	Critical spacing (concrete cono)	Critical edge distance(concrete cono)	Critical spacing (splitting)	Critical edge distance(splitting)	Minimum concrete thickness	Depth of drill hole \geq	Installation depth	Effective anchorage depth	Thickness of fixture \leq	Critical spacing (concrete cono)	Critical edge distance(concrete cono)	Critical spacing (splitting)	Critical edge distance(splitting)													
[--]	[--]	[--]	ETA	d_0 [mm]	d_f [mm]	T_{inst} [Nm]	S_{min} [mm]	C_{min} [mm]	h_{min} [mm]	h_1 [mm]	h_{nom} [mm]	h_{ef} [mm]	t_{fix} [mm]	$S_{cr,N}$ [mm]	$C_{cr,N}$ [mm]	$S_{cr,sp}$ [mm]	$C_{cr,sp}$ [mm]	h_{min} [mm]	h_1 [mm]	h_{nom} [mm]	h_{ef} [mm]	t_{fix} [mm]	$S_{cr,N}$ [mm]	$C_{cr,N}$ [mm]	$S_{cr,sp}$ [mm]	$C_{cr,sp}$ [mm]													
MTH	AH10140	M10 x 140 (I)	✓	10	12	35	50	50	110	75	66,5	55	60	165	83	220	110	100	60	53,5	42	73	126	63	168	84													
	AH10150	M10 x 150 (I)	✓										70									83																	
	AH10160	M10 x 160 (J)	✓										80									93																	
	AH10170	M10 x 170 (K)	✓										90									103																	
	AH10210	M10 x 210 (N)	✓										130									143																	
	AH10230	M10 x 230 (P)	✓										150									163																	
	AH12090	M12 x 90 (E)	✓	12	14	60	70	70	--	--	--	--	--	--	--	--	--	100	70	62	50	13	150	75	200	100													
	AH12100	M12 x 100 (E)	✓						8	23																													
	AH12110	M12 x 110 (F)	✓						18	33																													
	AH12120	M12 x 120 (G)	✓						28	43																													
	AH12130	M12 x 130 (H)	✓						38	53																													
	AH12140	M12 x 140 (I)	✓						48	63																													
	AH12160	M12 x 160 (J)	✓						68	83																													
	AH12180	M12 x 180 (L)	✓						88	103																													
	AH12200	M12 x 200 (M)	✓						108	123																													
	AH12220	M12 x 220 (O)	✓						128	143																													
	AH12250	M12 x 250 (Q)	✓						158	173																													
	AH14120	M14 x 120 (G)	✓						14	16	90	80	80	150	100	91	75					12					225	113	300	150	--	--	--	--	--	--	--	--	--
	AH14145	M14 x 145 (I)	✓																			37													--				
	AH14170	M14 x 170 (K)	✓																			62													--				
AH14220	M14 x 220 (O)	✓	112	--																																			
AH14250	M14 x 250 (Q)	✓	142	--																																			

3.2. INSTALLATION PARAMETERS

General installation parameters				Standard installation depth												Reduced installation depth											
Family	Code	Size / Bolt Letter	Assessed	Drill bit diameter	Fixture clearance hole	Torque	Minimum allowable spacing	Minimum allowable edge distance	Minimum concrete thickness	Depth of drill hole ≥	Installation depth	Effective anchorage depth	Thickness of fixture ≤	Critical spacing (concrete cono)	Critical edge distance(concrete cone)	Critical spacing (splitting)	Critical edge distance(splitting)	Minimum concrete thickness	Depth of drill hole ≥	Installation depth	Effective anchorage depth	Thickness of fixture ≤	Critical spacing (concrete cono)	Critical edge distance(concrete cone)	Critical spacing (splitting)	Critical edge distance(splitting)	
[--]	[--]	[--]	ETA	d ₀ [mm]	d _f [mm]	T _{inst} [Nm]	S _{min} [mm]	C _{min} [mm]	h _{min} [mm]	h ₁ [mm]	h _{nom} [mm]	h _{ef} [mm]	t _{fix} [mm]	S _{cr,N} [mm]	C _{cr,N} [mm]	S _{cr,sp} [mm]	C _{cr,sp} [mm]	h _{min} [mm]	h ₁ [mm]	h _{nom} [mm]	h _{ef} [mm]	t _{fix} [mm]	S _{cr,N} [mm]	C _{cr,N} [mm]	S _{cr,sp} [mm]	C _{cr,sp} [mm]	
MTH	AH16125	M16 x 125 (G)	✓	16	18	120	90	90	168	110	103,5	84	3	252	126	280	140	130	90	84,5	65	22	195	98	260	130	
	AH16145	M16 x 145 (I)	✓										42														
	AH16170	M16 x 170 (K)	✓										48														
	AH16220	M16 x 220 (O)	✓										98														
	AH16250	M16 x 250 (Q)	✓										128														
	AH16280	M16 x 280 (S)	✓										158														
	AH20170	M20 x 170 (K)	✓										23														
	AH20220	M20 x 220 (O)	✓										73														
AH20270	M20 x 270 (S)	✓	123																								
MTH-AZ	MI06045	M6 x 45 (A)	[X]	6	7	7	50	50	100	55	49,5	40	--	120	60	160	80	--	--	--	--	--	--	--	--	--	--
	MI06060	M6 x 60 (B)	✓										2														
	MI06080	M6 x 80 (D)	✓										22														
	MI06120	M6 x 120 (G)	✓										62														
	MI06140	M6 x 140 (I)	✓										82														
	MI06160	M6 x 160 (J)	✓										102														
	MI06170	M6 x 170 (K)	✓										112														
	MI06180	M6 x 180 (L)	✓										122														
	MI08050	M8 x 50 (A)	[X]										--														
	MI08075	M8 x 75 (C)	✓										5														
	MI08090	M8 x 90 (E)	✓										20														
	MI08115	M8 x 115 (G)	✓										45														
	MI10070	M10 x 70 (C)	✓										--														
	MI10090	M10 x 90 (E)	✓										10														
	MI10120	M10 x 120 (G)	✓										40														
MI10150	M10 x 150 (I)	✓	70																								

3.2. INSTALLATION PARAMETERS

General installation parameters									Standard installation depth								Reduced installation depth									
Family	Code	Size / Bolt Letter	Assessed	Drill bit diameter	Fixture clearance hole	Torque	Minimum allowable spacing	Minimum allowable edge distance	Minimum concrete thickness	Depth of drill hole ≥	Installation depth	Effective anchorage depth	Thickness of fixture S	Critical spacing (concrete cono)	Critical edge distance (concrete cone)	Critical spacing (splitting)	Critical edge distance (splitting)	Minimum concrete thickness	Depth of drill hole ≥	Installation depth	Effective anchorage depth	Thickness of fixture S	Critical spacing (concrete cono)	Critical edge distance (concrete cone)	Critical spacing (splitting)	Critical edge distance (splitting)
MTH-A2	M112075	M12 x 75 (C)	[x]						--	--	--	--	--	--	--	--	100	60	55	43	5	129	65	200	100	
	M112090	M12 x 90 (D)	✓	12	14	60	85	85	--	--	--	--	--	--	--	--					13					
	M112110	M12 x 110 (F)	✓																		33	150	75	200	100	
	M112140	M12 x 140 (I)	✓						130	85	77	65	18 48	195	98	260	130					63				
	M116090	M16 x 90 (D)	[x]						--	--	--	--	--	--	--	--		100	75	69	49	4	147	74	280	140
	M116145	M16 x 145 (I)	✓	16	18	120	110	110													--	--	--	--	--	
	M116170	M16 x 170 (K)	✓						168	110	103,5	84	23 48	252	126	336	168	--	--	--	--	--	--	--	--	--
	M120120	M20 x 120 (G)	[x]						--	--	--	--	--	--	--	--	--	145	105	93	71	5	213	107	360	180
	M120170	M20 x 170 (K)	✓	20	22	240	135	135													--	--	--	--	--	
M120220	M20 x 220 (O)	✓						206	135	125	103	23 73	309	155	412	200	--	--	--	--	--	--	--	--	--	
MTH-A4	MIA406045	M6 x 45 (A)	[x]						--	--	--	--	--	--	--	--	100	40	35	25	1	75	38	160	80	
	MIA406060	M6 x 60 (B)	✓	6	7	7	50	50																		
	MIA406080	M6 x 80 (D)	✓						100	55	49,5	40	2 22	120	60	160	80	--	--	--	--	--	--	--	--	
	MIA408050	M8 x 50 (A)	[x]						--	--	--	--	--	--	--	--		100	40	35	23	4	69	35	140	70
	MIA408075	M8 x 75 (C)	✓																							
	MIA408090	M8 x 90 (E)	✓	8	9	20	65	65	100	65	59,5	48	5 20	144	72	192	96	100	50	46,5	35	8 23	105	53	140	70
	MIA408115	M8 x 115 (G)	✓										45									58				
	MIA410070	M10 x 70 (C)	✓						--	--	--	--	--	--	--	--						3				
	MIA410090	M10 x 90 (E)	✓										10									23				
	MIA410120	M10 x 120 (G)	✓	10	12	35	70	70	110	75	66,5	55	40 70	165	83	220	110	100	60	53,5	42	53 83	126	63	168	84
	MIA410150	M10 x 150 (I)	✓																							
	MIA412075	M12 x 75 (C)	[x]						--	--	--	--	--	--	--	--		100	60	55	43	5	129	65	200	100
	MIA412090	M12 x 90 (D)	✓						--	--	--	--	--	--	--	--						13				
	MIA412110	M12 x 110 (F)	✓	12	14	60	85	85					18	195	98	260	130	100	70	62	50	33	150	75	200	100
MIA412140	M12 x 140 (I)	✓						130	85	77	65	18 48									63					

3.2. INSTALLATION PARAMETERS

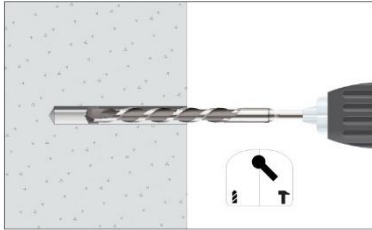
General installation parameters				Standard installation depth												Reduced installation depth														
Family	Code	Size / Bolt Letter	Assessed	Drill bit diameter	Fixture clearance hole	Torque	Minimum allowable spacing	Minimum allowable edge distance	Minimum concrete thickness	Depth of drill hole \geq	Installation depth	Effective anchorage depth	Thickness of fixture \leq	Critical spacing (concrete cono)	Critical edge distance(concrete cone)	Critical spacing (splitting)	Critical edge distance(splitting)	Minimum concrete thickness	Depth of drill hole \geq	Installation depth	Effective anchorage depth	Thickness of fixture \leq	Critical spacing (concrete cono)	Critical edge distance(concrete cone)	Critical spacing (splitting)	Critical edge distance(splitting)				
				d_0 [mm]	d_f [mm]	T_{inst} [Nm]	S_{min} [mm]	C_{min} [mm]	h_{min} [mm]	h_1 [mm]	h_{nom} [mm]	h_{ef} [mm]	t_{fix} [mm]	$S_{cr,N}$ [mm]	$C_{cr,N}$ [mm]	$S_{cr,sp}$ [mm]	$C_{cr,sp}$ [mm]	h_{min} [mm]	h_1 [mm]	h_{nom} [mm]	h_{ef} [mm]	t_{fix} [mm]	$S_{cr,N}$ [mm]	$C_{cr,N}$ [mm]	$S_{cr,sp}$ [mm]	$C_{cr,sp}$ [mm]				
MTH-A4	MIA416090	M16 x 90 (D)	[x]	16	18	120	110	110	--	--	--	--	--	--	--	--	--	100	75	69	49	4	147	74	280	140				
	MIA416145	M16 x 145 (I)	✓						168	110	103,5	84	23	252	126	336	168	--	--	--	--	--	--	--	--	--	--	--	--	--
	MIA416170	M16 x 170 (K)	✓						--	--	--	--	--	--	--	--	--	--	--	--	--	--	--	--	--	--	--	--	--	--
	MIA420120	M20 x 120 (G)	[x]	20	22	240	135	135	--	--	--	--	--	--	--	--	--	--	145	105	93	71	5	213	107	360	180			
	MIA420170	M20 x 170 (K)	✓						206	135	125	103	23	309	155	412	206	--	--	--	--	--	--	--	--	--	--	--	--	--
	MIA420220	M20 x 220 (O)	✓						--	--	--	--	--	--	--	--	--	--	--	--	--	--	--	--	--	--	--	--	--	--

3.2. INSTALLATION PARAMETERS

General installation parameters				Standard installation depth														Reduced installation depth															
Family	Code	Size / Bolt Letter	Assessed	Drill bit diameter	Fixture clearance hole	Torque	Minimum allowable spacing	Minimum allowable edge distance	Minimum concrete thickness	Depth of drill hole ≥	Installation depth	Effective anchorage depth	Thickness of fixture ≤	Critical spacing (concrete cono)	Critical edge distance(concrete cone)	Critical spacing (splitting)	Critical edge distance(splitting)	Minimum concrete thickness	Depth of drill hole ≥	Installation depth	Effective anchorage depth	Thickness of fixture ≤	Critical spacing (concrete cono)	Critical edge distance(concrete cone)	Critical spacing (splitting)	Critical edge distance(splitting)							
[--]	[--]	[--]	ETA	d ₀ [mm]	d _f [mm]	T _{inst} [Nm]	S _{min} [mm]	C _{min} [mm]	h _{min} [mm]	h ₁ [mm]	h _{nom} [mm]	h _{ef} [mm]	t _{fix} [mm]	S _{cr,N} [mm]	C _{cr,N} [mm]	S _{cr,sp} [mm]	C _{cr,sp} [mm]	h _{min} [mm]	h ₁ [mm]	h _{nom} [mm]	h _{ef} [mm]	t _{fix} [mm]	S _{cr,N} [mm]	C _{cr,N} [mm]	S _{cr,sp} [mm]	C _{cr,sp} [mm]							
MTH-AT	AHAT06060	M6 x 60 (B)	✓	6	7	7	35	35	100	55	49,5	40	2	120	60	160	80	--	--	--	--	--	--	--	--	--	--	--					
	AHAT06080	M6 x 80 (D)	✓										22																--				
	AHAT06100	M6 x 100 (E)	✓										42																				
	AHAT08060	M8 x 60 (B)	✓	8	9	20	40	40	100	65	59,5	48	--	--	--	--	--	--	100	50	46,5	35	--	105	53	140	70	3	105	53	140	70	
	AHAT08075	M8 x 75 (C)	✓																									5					--
	AHAT08090	M8 x 90 (E)	✓																									20					
	AHAT08115	M8 x 115 (G)	✓																									45					
	AHAT08120	M8 x 120 (G)	✓																									50					
	AHAT08130	M8 x 130 (H)	✓																									60					
	AHAT08155	M8 x 155 (J)	✓																									85					
	AHAT10070	M10 x 70 (C)	✓																									10					
	AHAT10080	M10 x 80 (D)	✓	13	--																												
	AHAT10090	M10 x 90 (E)	✓	23																													
	AHAT10100	M10 x 100 (E)	✓	33																													
	AHAT10120	M10 x 120 (G)	✓	53																													
	AHAT10140	M10 x 140 (I)	✓	73																													
	AHAT10150	M10 x 150 (I)	✓	83																													
	AHAT10160	M10 x 160 (J)	✓	93																													
	AHAT10170	M10 x 170 (K)	✓	103																													
	AHAT10210	M10 x 210 (N)	✓	143																													
	AHAT12090	M12 x 90 (E)	✓	12	14	60	70	70	130	85	77	65	--	--	--	--	--	--	100	70	62	50	--	150	75	200	100	13	150	75	200	100	
	AHAT12100	M12 x 100 (E)	✓																									23					--
	AHAT12110	M12 x 110 (F)	✓																									33					
	AHAT12130	M12 x 130 (H)	✓																									53					
	AHAT12140	M12 x 140 (I)	✓																									63					
AHAT12160	M12 x 160 (J)	✓	83																														
AHAT12180	M12 x 180 (L)	✓	103																														
AHAT12200	M12 x 200 (M)	✓	123																														
AHAT12220	M12 x 220 (O)	✓	143																														
AHAT12250	M12 x 250 (Q)	✓	173																														

4. INSTALLATION PROCEDURE

4.1 CONCRETE INSTALLATION



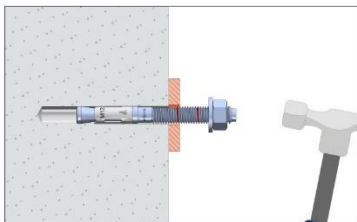
1. DRILLING

Check the concrete is well compacted and without significant porosity. Suitable for dry, wet and flooded holes. Use drill in hammer mode. Drill according to specified depths in previous tables.



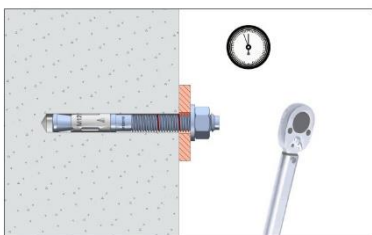
2. BLOW AND CLEAN

Clean the hole from dust and concrete remains. Use blow pump and brush.



3. INSTALL

Insert the anchor until the red depth mark is at the same level with the surface of the base material. Use a hammer in case of need. DOMTA tool could be used alternatively. Installation could be performed through the fixture or before setting the fixture.



4. APPLY THE TORQUE

Apply the nominal torque specified in previous tables. Use torque wrench in order to ensure correct installation.

5. RESISTANCES

Resistances in concrete class C20/25 for an isolated anchor without spacing or concrete edge distance effects are indicated in the following table:

5.1 CHARACTERISTIC RESISTANCE [kN]

General Parameter				Standard installation depth		Reduced installation depth				
Family	Code	Size	Assessed	Tension	Shear	Tension	Shear			
				N _{Rk}	V _{Rk}	N _{Rk}	V _{Rk}			
MTH	AH06060	M6 x 60	✓	<u>7,40</u>	<u>5,10</u>	--	--			
	AH06070	M6 x 70	✓							
	AH06080	M6 x 80	✓							
	AH06090	M6 x 90	✓							
	AH06100	M6 x 100	✓							
	AH06110	M6 x 110	✓							
	AH06120	M6 x 120	✓							
	AH06130	M6 x 130	✓							
	AH06140	M6 x 140	✓							
	AH06150	M6 x 150	✓							
	AH06160	M6 x 160	✓							
	AH06170	M6 x 170	✓							
	AH06180	M6 x 180	✓							
	AH08060	M8 x 60	✓	--	--	10,00	10,19			
	AH08075	M8 x 75	✓	<u>13,00</u>	<u>9,30</u>	10,00	10,19			
	AH08090	M8 x 90	✓							
	AH08100	M8 x 100	✓							
	AH08115	M8 x 115	✓							
	AH08120	M8 x 120	✓							
	AH08130	M8 x 130	✓							
	AH08155	M8 x 155	✓	--	--	13,39	13,39			
	AH10070	M10 x 70	✓							
	AH10080	M10 x 80	✓	19,00	<u>14,70</u>	13,39	13,39			
	AH10090	M10 x 90	✓							
	AH10100	M10 x 100	✓							
	AH10120	M10 x 120	✓							
	AH10140	M10 x 140	✓							
	AH10150	M10 x 150	✓							
	AH10160	M10 x 160	✓							
	AH10170	M10 x 170	✓							
	AH10210	M10 x 210	✓	--	--	17,39	17,39			
	AH10230	M10 x 230	✓							
AH12090	M12 x 90	✓	25,78					<u>20,60</u>	17,39	17,39
AH12100	M12 x 100	✓								
AH12110	M12 x 110	✓								
AH12120	M12 x 120	✓								
AH12130	M12 x 130	✓								
AH12140	M12 x 140	✓								
AH12160	M12 x 160	✓								
AH12180	M12 x 180	✓								
AH12200	M12 x 200	✓								
AH12220	M12 x 220	✓								
AH12250	M12 x 250	✓								
AH14120	M14 x 120	✓	31,95	<u>28,10</u>	--	--				
AH14145	M14 x 145	✓								
AH14170	M14 x 170	✓								
AH14220	M14 x 220	✓								
AH14250	M14 x 250	✓								

General Parameter				Standard installation depth		Reduced installation depth					
Family	Code	Size	Assessed	Tension	Shear	Tension	Shear				
				N _{Rk}	V _{Rk}	N _{Rk}	V _{Rk}				
MTH	AH16125	M16 x 125	✓	37,87	<u>38,40</u>	25,78	<u>38,40</u>				
	AH16145	M16 x 145	✓								
	AH16170	M16 x 170	✓								
	AH16220	M16 x 220	✓								
	AH16250	M16 x 250	✓								
	AH16280	M16 x 280	✓								
	AH20170	M20 x 170	✓								
	AH20220	M20 x 220	✓								
AH20270	M20 x 270	✓	51,42	<u>56,30</u>	31,95	63,90					
MTH-A2	MI06045	M6 x 45	[x]	--	--	6,15	<u>6,00</u>				
	MI06060	M6 x 60	✓	<u>10,10</u>	<u>6,00</u>	--	--				
	MI06080	M6 x 80	✓								
	MI06120	M6 x 120	✓								
	MI06140	M6 x 140	✓								
	MI06160	M6 x 160	✓								
	MI06170	M6 x 170	✓								
	MI06180	M6 x 180	✓								
	MI08050	M8 x 50	[x]					--	--	5,43	5,43
	MI08075	M8 x 75	✓	12,00	<u>10,90</u>	9,00	10,19				
	MI08090	M8 x 90	✓								
	MI08115	M8 x 115	✓								
	MI10070	M10 x 70	✓								
	MI10090	M10 x 90	✓	16,00	<u>17,40</u>	12,00	13,39				
	MI10120	M10 x 120	✓								
	MI10150	M10 x 150	✓								
	MI12075	M12 x 75	[x]					--	--	13,87	13,87
	MI12090	M12 x 90	✓	25,00	<u>25,20</u>	16,00	17,39				
	MI12110	M12 x 110	✓								
	MI12140	M12 x 140	✓								
	MI16090	M16 x 90	[x]					--	--	16,87	16,87
	MI16145	M16 x 145	✓	35,00	<u>47,10</u>	--	--				
	MI16170	M16 x 170	✓								
	MI20120	M20 x 120	[x]	--	--	29,43	58,86				
MI20170	M20 x 170	✓	50,00	<u>73,50</u>	--	--					
MI20220	M20 x 220	✓									
MTH-A4	MIA406045	M6 x 45	[x]	--	--	6,15	<u>6,00</u>				
	MIA406060	M6 x 60	✓	<u>10,10</u>	<u>6,00</u>	--	--				
	MIA406080	M6 x 80	✓								
	MIA408050	M8 x 50	[x]					--	--	5,43	5,43
	MIA408075	M8 x 75	✓					12,00	<u>10,90</u>	9,00	10,19
	MIA408090	M8 x 90	✓								
	MIA408115	M8 x 115	✓								
	MIA410070	M10 x 70	✓								
	MIA410090	M10 x 90	✓					16,00	<u>17,40</u>	12,00	13,39
	MIA410120	M10 x 120	✓								
	MIA410150	M10 x 150	✓								
	MIA412075	M12 x 75	[x]	--	--	13,87	13,87				
	MIA412090	M12 x 90	✓	25,00	<u>25,20</u>	16,00	17,39				
	MIA412110	M12 x 110	✓								
	MIA412140	M12 x 140	✓								
	MIA416090	M16 x 90	[x]					--	--	16,87	16,87
	MIA416145	M16 x 145	✓	35,00	<u>47,10</u>	--	--				
	MIA416170	M16 x 170	✓								
	MIA420120	M20 x 120	[x]	--	--	29,43	58,86				
	MIA420170	M20 x 170	✓	50,00	<u>73,50</u>	--	--				
MIA420220	M20 x 220	✓									

General Parameter				Standard installation depth		Reduced installation depth	
Family	Code	Size	Assessed	Tension	Shear	Tension	Shear
				N_{Rk}	V_{Rk}	N_{Rk}	V_{Rk}
MTH-AT	AHAT06060	M6 x 60	✓				
	AHAT06080	M6 x 80	✓	<u>7,40</u>	<u>5,10</u>	--	--
	AHAT06100	M6 x 100	✓				
	AHAT08060	M8 x 60	✓	--	--	10,00	10,19
	AHAT08075	M8 x 75	✓				
	AHAT08090	M8 x 90	✓				
	AHAT08100	M8 x 100	✓				
	AHAT08115	M8 x 115	✓	<u>13,00</u>	<u>9,30</u>	10,00	10,19
	AHAT08130	M8 x 130	✓				
	AHAT08155	M8 x 155	✓				
	AHAT10070	M10 x 70	✓				
	AHAT10080	M10 x 80	✓	--	--	13,39	13,39
	AHAT10090	M10 x 90	✓				
	AHAT10100	M10 x 100	✓				
	AHAT10120	M10 x 120	✓				
	AHAT10140	M10 x 140	✓				
	AHAT10150	M10 x 150	✓	19,00	<u>14,70</u>	13,39	13,39
	AHAT10160	M10 x 160	✓				
	AHAT10170	M10 x 170	✓				
	AHAT10210	M10 x 210	✓				
	AHAT12090	M12 x 90	✓	--	--	17,39	17,39
	AHAT12100	M12 x 100	✓				
	AHAT12110	M12 x 110	✓				
	AHAT12130	M12 x 130	✓				
	AHAT12140	M12 x 140	✓				
	AHAT12160	M12 x 160	✓	25,78	<u>20,60</u>	17,39	17,39
	AHAT12180	M12 x 180	✓				
	AHAT12200	M12 x 200	✓				
	AHAT12220	M12 x 220	✓				
	AHAT12250	M12 x 250	✓				
AHAT16125	M16 x 125	✓					
AHAT16145	M16 x 145	✓					
AHAT16170	M16 x 170	✓	37,87	<u>38,40</u>	25,78	<u>38,40</u>	
AHAT16220	M16 x 220	✓					
AHAT16250	M16 x 250	✓					
AHAT16280	M16 x 280	✓					
AHAT20170	M20 x 170	✓					
AHAT20220	M20 x 220	✓	51,42	<u>56,30</u>	31,95	63,90	
AHAT20270	M20 x 270	✓					

1 kN ≈ 100 kg
 Values underlined and in italics show Steel failure, **bold** values concrete failure and other indicate pull out failure.

5.2 DESIGN RESISTANCE [kN]							
General Parameter				Standard installation depth		Reduced installation depths	
Family	Code	Size	Assessed	Tension	Shear	Tension	Shear
				N _{Rd}	V _{Rd}	N _{Rd}	V _{Rd}
MTH	AH06060	M6 x 60	✓	<u>5,29</u>	<u>4,08</u>	--	--
	AH06070	M6 x 70	✓				
	AH06080	M6 x 80	✓				
	AH06090	M6 x 90	✓				
	AH06100	M6 x 100	✓				
	AH06110	M6 x 110	✓				
	AH06120	M6 x 120	✓				
	AH06130	M6 x 130	✓				
	AH06140	M6 x 140	✓				
	AH06150	M6 x 150	✓				
	AH06160	M6 x 160	✓				
	AH06170	M6 x 170	✓				
	AH06180	M6 x 180	✓				
	AH08060	M8 x 60	✓	--	--	6,67	6,79
	AH08075	M8 x 75	✓	<u>9,29</u>	<u>7,44</u>	6,67	6,79
	AH08090	M8 x 90	✓				
	AH08100	M8 x 100	✓				
	AH08115	M8 x 115	✓				
	AH08120	M8 x 120	✓				
	AH08130	M8 x 130	✓				
	AH08155	M8 x 155	✓				
	AH10070	M10 x 70	✓	--	--	8,93	8,93
	AH10080	M10 x 80	✓	12,67	<u>11,76</u>	8,93	8,93
	AH10090	M10 x 90	✓				
	AH10100	M10 x 100	✓				
	AH10120	M10 x 120	✓				
	AH10140	M10 x 140	✓				
	AH10150	M10 x 150	✓				
	AH10160	M10 x 160	✓				
	AH10170	M10 x 170	✓				
	AH10210	M10 x 210	✓				
	AH10230	M10 x 230	✓				
	AH12090	M12 x 90	✓	--	--	11,60	11,60
	AH12100	M12 x 100	✓	17,19	<u>16,48</u>	11,60	11,60
	AH12110	M12 x 110	✓				
	AH12120	M12 x 120	✓				
	AH12130	M12 x 130	✓				
	AH12140	M12 x 140	✓				
	AH12160	M12 x 160	✓				
	AH12180	M12 x 180	✓				
AH12200	M12 x 200	✓					
AH12220	M12 x 220	✓					
AH12250	M12 x 250	✓					
AH14120	M14 x 120	✓	21,30	<u>22,48</u>	--	--	
AH14145	M14 x 145	✓					
AH14170	M14 x 170	✓					
AH14220	M14 x 220	✓					
AH14250	M14 x 250	✓					

General Parameter				Standard installation depth		Reduced installation depth	
Family	Code	Size	Assessed	Tension	Shear	Tension	Shear
				N _{Rd}	V _{Rd}	N _{Rd}	V _{Rd}
MTH	AH16125	M16 x 125	✓	25,25	<u>30,72</u>	17,19	<u>30,72</u>
	AH16145	M16 x 145	✓				
	AH16170	M16 x 170	✓				
	AH16220	M16 x 220	✓				
	AH16250	M16 x 250	✓	34,28	<u>45,04</u>	21,30	42,60
	AH16280	M16 x 280	✓				
	AH20170	M20 x 170	✓				
	AH20220	M20 x 220	✓				
AH20270	M20 x 270	✓					
MTH-A2	MI06045	M6 x 45	[x]	--	--	4,10	<u>3,95</u>
	MI06060	M6 x 60	✓	<u>6,01</u>	<u>3,95</u>	--	--
	MI06080	M6 x 80	✓				
	MI06120	M6 x 120	✓				
	MI06140	M6 x 140	✓				
	MI06160	M6 x 160	✓				
	MI06170	M6 x 170	✓				
	MI06180	M6 x 180	✓	--	--	3,01	3,62
	MI08050	M8 x 50	[x]				
	MI08075	M8 x 75	✓	8,00	<u>7,15</u>	5,00	6,79
	MI08090	M8 x 90	✓				
	MI08115	M8 x 115	✓				
	MI10070	M10 x 70	✓	--	--	6,67	8,93
	MI10090	M10 x 90	✓	8,89	<u>11,45</u>		
	MI10120	M10 x 120	✓				
	MI10150	M10 x 150	✓				
	MI12075	M12 x 75	[x]	--	--	7,71	9,25
	MI12090	M12 x 90	✓	--	--	8,89	11,60
	MI12110	M12 x 110	✓				
	MI12140	M12 x 140	✓	13,89	<u>16,58</u>	9,37	11,25
	MI16090	M16 x 90	[x]	--	--		
	MI16145	M16 x 145	✓	19,44	<u>30,99</u>	--	--
	MI16170	M16 x 170	✓				
	MI20120	M20 x 120	[x]	--	--	16,35	39,24
MI20170	M20 x 170	✓	27,78	<u>48,36</u>	--	--	
MI20220	M20 x 220	✓					
MTH-A4	MIA406045	M6 x 45	[x]	--	--	4,10	<u>3,95</u>
	MIA406060	M6 x 60	✓	<u>6,01</u>	<u>3,95</u>	--	--
	MIA406080	M6 x 80	✓				
	MIA408050	M8 x 50	[x]				
	MIA408075	M8 x 75	✓	8,00	<u>7,17</u>	5,00	6,79
	MIA408090	M8 x 90	✓				
	MIA408115	M8 x 115	✓				
	MIA410070	M10 x 70	✓				
	MIA410090	M10 x 90	✓	8,89	<u>11,45</u>	6,67	8,93
	MIA410120	M10 x 120	✓				
	MIA410150	M10 x 150	✓				
	MIA412075	M12 x 75	[x]	--	--	7,71	9,25
	MIA412090	M12 x 90	✓	--	--	8,89	11,60
	MIA412110	M12 x 110	✓				
	MIA412140	M12 x 140	✓	13,89	<u>16,58</u>	9,37	11,25
	MIA416090	M16 x 90	[x]	--	--		
	MIA416145	M16 x 145	✓	19,44	<u>30,99</u>	--	--
	MIA416170	M16 x 170	✓				
	MIA420120	M20 x 120	[x]	--	--	16,35	39,24
	MIA420170	M20 x 170	✓	27,78	<u>48,36</u>	--	--
MIA420220	M20 x 220	✓					

General Parameter				Standard installation depth		Reduced installation depth	
Family	Code	Size	Assessed	Tension	Shear	Tension	Shear
				N _{Rd}	V _{Rd}	N _{Rd}	V _{Rd}
MTH-AT	AHAT06060	M6 x 60	✓				
	AHAT06080	M6 x 80	✓	<u>5,29</u>	<u>4,08</u>	--	--
	AHAT06100	M6 x 100	✓				
	AHAT08060	M8 x 60	✓	--	--	6,67	6,79
	AHAT08075	M8 x 75	✓				
	AHAT08090	M8 x 90	✓				
	AHAT08100	M8 x 100	✓				
	AHAT08115	M8 x 115	✓			6,67	6,79
	AHAT08130	M8 x 130	✓				
	AHAT08155	M8 x 155	✓				
	AHAT10070	M10 x 70	✓				
	AHAT10080	M10 x 80	✓	--	--	8,93	8,93
	AHAT10090	M10 x 90	✓				
	AHAT10100	M10 x 100	✓				
	AHAT10120	M10 x 120	✓				
	AHAT10140	M10 x 140	✓				
	AHAT10150	M10 x 150	✓				
	AHAT10160	M10 x 160	✓				
	AHAT10170	M10 x 170	✓				
	AHAT10210	M10 x 210	✓				
	AHAT12090	M12 x 90	✓	--	--	11,60	11,60
	AHAT12100	M12 x 100	✓				
	AHAT12110	M12 x 110	✓				
	AHAT12130	M12 x 130	✓				
	AHAT12140	M12 x 140	✓				
	AHAT12160	M12 x 160	✓				
	AHAT12180	M12 x 180	✓				
AHAT12200	M12 x 200	✓					
AHAT12220	M12 x 220	✓					
AHAT12250	M12 x 250	✓					
AHAT16125	M16 x 125	✓					
AHAT16145	M16 x 145	✓					
AHAT16170	M16 x 170	✓					
AHAT16220	M16 x 220	✓					
AHAT16250	M16 x 250	✓					
AHAT16280	M16 x 280	✓					
AHAT20170	M20 x 170	✓					
AHAT20220	M20 x 220	✓					
AHAT20270	M20 x 270	✓					
				12,67	<u>11,76</u>	8,93	8,93
				17,19	<u>16,48</u>	11,60	11,60
				25,25	<u>30,72</u>	17,19	<u>30,72</u>
				34,28	<u>45,04</u>	21,30	42,60

1 kN ≈ 100 kg
 Values underlined and in italics show Steel failure, **bold** values concrete failure and other indicate pull out failure.

5.3 MAXIMUM LOADS RECOMMENDED [kN] (with $\gamma_F= 1.4$)

General Parameter				Standard installation depth		Reduced installation depth	
Family	Code	Size	Assessed	Tension	Shear	Tension	Shear
				N _{rec}	V _{rec}	N _{rec}	V _{rec}
MTH	AH06060	M6 x 60	✓	<u>3,78</u>	<u>2,91</u>	--	--
	AH06070	M6 x 70	✓				
	AH06080	M6 x 80	✓				
	AH06090	M6 x 90	✓				
	AH06100	M6 x 100	✓				
	AH06110	M6 x 110	✓				
	AH06120	M6 x 120	✓				
	AH06130	M6 x 130	✓				
	AH06140	M6 x 140	✓				
	AH06150	M6 x 150	✓				
	AH06160	M6 x 160	✓				
	AH06170	M6 x 170	✓				
	AH08060	M8 x 60	✓	--	--	4,76	4,85
	AH08075	M8 x 75	✓	<u>6,63</u>	<u>5,31</u>	4,76	4,85
	AH08090	M8 x 90	✓				
	AH08100	M8 x 100	✓				
	AH08115	M8 x 115	✓				
	AH08120	M8 x 120	✓				
	AH08130	M8 x 130	✓				
	AH08155	M8 x 155	✓	--	--	6,38	6,38
	AH10070	M10 x 70	✓	--	--	6,38	6,38
	AH10080	M10 x 80	✓	9,05	<u>8,40</u>	6,38	6,38
	AH10090	M10 x 90	✓				
	AH10100	M10 x 100	✓				
	AH10120	M10 x 120	✓				
	AH10140	M10 x 140	✓				
	AH10150	M10 x 150	✓				
	AH10160	M10 x 160	✓				
	AH10170	M10 x 170	✓				
	AH10210	M10 x 210	✓	--	--	8,28	8,28
	AH10230	M10 x 230	✓	12,28	<u>11,77</u>	8,28	8,28
	AH12090	M12 x 90	✓				
AH12100	M12 x 100	✓					
AH12110	M12 x 110	✓					
AH12120	M12 x 120	✓					
AH12130	M12 x 130	✓					
AH12140	M12 x 140	✓					
AH12160	M12 x 160	✓					
AH12180	M12 x 180	✓					
AH12200	M12 x 200	✓					
AH12220	M12 x 220	✓	15,22	<u>16,06</u>	--	--	
AH12250	M12 x 250	✓					
AH14120	M14 x 120	✓					
AH14145	M14 x 145	✓					
AH14170	M14 x 170	✓					
AH14220	M14 x 220	✓	--	--	--	--	
AH14250	M14 x 250	✓	--	--	--	--	

General Parameter				Standard depth		Reduced installation depth	
Family	Code	Size	Assessed	Tension	Shear	Tension	Shear
				N _{rec}	V _{rec}	N _{rec}	V _{rec}
MTH	AH16125	M16 x 125	✓	18,03	<u>21,94</u>	12,28	<u>21,94</u>
	AH16145	M16 x 145	✓				
	AH16170	M16 x 170	✓				
	AH16220	M16 x 220	✓				
	AH16250	M16 x 250	✓				
	AH16280	M16 x 280	✓				
	AH20170	M20 x 170	✓	24,49	<u>32,17</u>	15,22	30,43
	AH20220	M20 x 220	✓				
AH20270	M20 x 270	✓					
MTH-A2	MI06045	M6 x 45	[x]	--	--	2,93	<u>2,82</u>
	MI06060	M6 x 60	✓	<u>4,29</u>	<u>2,82</u>	--	--
	MI06080	M6 x 80	✓				
	MI06120	M6 x 120	✓				
	MI06140	M6 x 140	✓				
	MI06160	M6 x 160	✓				
	MI06170	M6 x 170	✓				
	MI06180	M6 x 180	✓				
	MI08050	M8 x 50	[x]	--	--	2,15	2,58
	MI08075	M8 x 75	✓	5,71	<u>5,12</u>	3,57	4,85
	MI08090	M8 x 90	✓				
	MI08115	M8 x 115	✓				
	MI10070	M10 x 70	✓	--	--	4,76	6,38
	MI10090	M10 x 90	✓	6,35	<u>8,18</u>		
	MI10120	M10 x 120	✓				
	MI10150	M10 x 150	✓	9,92	<u>11,84</u>	6,35	8,28
	MI12075	M12 x 75	[x]				
	MI12090	M12 x 90	✓	--	--	6,70	8,03
	MI12110	M12 x 110	✓				
	MI12140	M12 x 140	✓	13,89	<u>22,13</u>	--	--
	MI16090	M16 x 90	[x]				
	MI16145	M16 x 145	✓	--	--	11,68	28,03
	MI16170	M16 x 170	✓				
	MI20120	M20 x 120	[x]	19,84	<u>34,54</u>	--	--
	MI20170	M20 x 170	✓				
	MI20220	M20 x 220	✓				
MTH-A4	MIA406045	M6 x 45	[x]	--	--	2,93	<u>2,82</u>
	MIA406060	M6 x 60	✓	<u>4,29</u>	<u>2,82</u>	--	--
	MIA406080	M6 x 80	✓				
	MIA408050	M8 x 50	[x]	--	--	2,15	2,58
	MIA408075	M8 x 75	✓	5,71	<u>5,12</u>	3,57	4,85
	MIA408090	M8 x 90	✓				
	MIA408115	M8 x 115	✓				
	MIA410070	M10 x 70	✓	--	--	4,76	6,38
	MIA410090	M10 x 90	✓	6,35	<u>8,18</u>		
	MIA410120	M10 x 120	✓				
	MIA410150	M10 x 150	✓	9,92	<u>11,84</u>	6,35	8,28
	MIA412075	M12 x 75	[x]				
	MIA412090	M12 x 90	✓	--	--	6,70	8,03
	MIA412110	M12 x 110	✓				
	MIA412140	M12 x 140	✓	13,39	<u>22,13</u>	--	--
	MIA416090	M16 x 90	[x]				
	MIA416145	M16 x 145	✓	--	--	11,68	28,03
	MIA416170	M16 x 170	✓				
	MIA420120	M20 x 120	[x]	19,84	<u>34,54</u>	--	--
	MIA420170	M20 x 170	✓				
MIA420220	M20 x 220	✓					

General Parameter				Standard depth		Reduced installation depth	
Family	Code	Size	Assessed	Tension	Shear	Tension	Shear
				N _{rec}	V _{rec}	N _{rec}	V _{rec}
MTH-AT	AHAT06060	M6 x 60	✓				
	AHAT06080	M6 x 80	✓	<u>3,78</u>	<u>2,91</u>	--	--
	AHAT06100	M6 x 100	✓				
	AHAT08060	M8 x 60	✓	--	--	4,76	4,85
	AHAT08075	M8 x 75	✓				
	AHAT08090	M8 x 90	✓				
	AHAT08100	M8 x 100	✓				
	AHAT08115	M8 x 115	✓				
	AHAT08130	M8 x 130	✓				
	AHAT08155	M8 x 155	✓				
	AHAT10070	M10 x 70	✓				
	AHAT10080	M10 x 80	✓	--	--	6,38	6,38
	AHAT10090	M10 x 90	✓				
	AHAT10100	M10 x 100	✓				
	AHAT10120	M10 x 120	✓				
	AHAT10140	M10 x 140	✓				
	AHAT10150	M10 x 150	✓				
	AHAT10160	M10 x 160	✓				
	AHAT10170	M10 x 170	✓				
	AHAT10210	M10 x 210	✓				
	AHAT12090	M12 x 90	✓	--	--	8,28	8,28
	AHAT12100	M12 x 100	✓				
	AHAT12110	M12 x 110	✓				
	AHAT12130	M12 x 130	✓				
	AHAT12140	M12 x 140	✓				
	AHAT12160	M12 x 160	✓				
	AHAT12180	M12 x 180	✓				
	AHAT12200	M12 x 200	✓				
	AHAT12220	M12 x 220	✓				
	AHAT12250	M12 x 250	✓				
AHAT16125	M16 x 125	✓					
AHAT16145	M16 x 145	✓					
AHAT16170	M16 x 170	✓					
AHAT16220	M16 x 220	✓					
AHAT16250	M16 x 250	✓					
AHAT16280	M16 x 280	✓					
AHAT20170	M20 x 170	✓					
AHAT20220	M20 x 220	✓					
AHAT20270	M20 x 270	✓					
				9,05	<u>8,40</u>	6,38	6,38
				12,28	<u>11,77</u>	8,28	8,28
				18,03	<u>21,94</u>	12,28	<u>21,94</u>
				24,49	<u>32,17</u>	15,22	30,43

1 kN ≈ 100 kg
 Values underlined and in italics show Steel failure, **bold** values concrete failure and other indicate pull out failure.

PULL OUT INCREASINF FACTOR FOR TENSION LOADS IN HIGH RESISTANCE CONCRETE			
CONCRETE FACTOR	C30/37	C40/50	C50/60
Ψ_c (Non-cracked)	1,22	1,41	1,55

7. OFFICIAL DOCUMENTATION

The following documents are available through our Sales Department or on our official website: www.indexfix.com:

- European assessment ETA 05/0242 for installation in non-cracked concrete according to guideline EAD 330232-00-0601, option 7, from M6 of M20.
- Declaration of performance DoP MTH.
- Available for the anchor design software INDEXcal.