

GS-TU



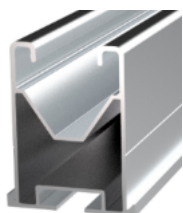
PRODUCT DESCRIPTION

- Adjustable roof hook for universal roof tile. Stainless steel A2

CHARACTERISTICS

- Pre-assembled product.
- Includes AISI-304 brackets.
- Includes two DIN-6923 nuts and two DIN-603 M10 bolts in A2-70 stainless steel.
- For outside use.
- For tiled roofs.
- Height-adjustable. For use under and on tiling.
- Three transversal mounting position options.
- Includes groove to facilitate adjustment.
- Includes nine drilled holes.
- Set up for mounting on the lower part of the tiling.
- Avoids the need to drill through tiling.
- Special design for mixed tiles.

APPLICATIONS/MOUNTING ACCESSORIES

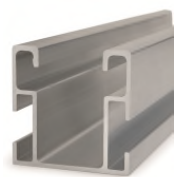


PSE-A



KFSFIM08

Used in **coplanar aluminium installation systems** to attach the systems to tiled roof sub-structures. When mounting the **PSE-A** "aluminium profile for assembled fixing", a **KFSFIM08** "cross connector for bottom fixing" is used on each roof hook.



PSE-C



KFSFIM08 + PMOL +
D603I08016 + D6923I0808

Used in **coplanar aluminium lateral installation systems** to attach the systems to tiled roof sub-structures. When mounting the **PSE-C** "aluminium profile for lateral assembled fixing", a **KFSFIM08** "cross connector for bottom fixing", a **PMOL1012** "Aluminium L-shaped plate for lateral fixing.", one **D603I08016** "16 mm DIN-603 M8 bolt" and one **D6923I0808** "DIN-6923 M8 nut", both in A2-70 stainless steel are used on each roof hook.







GP-XS



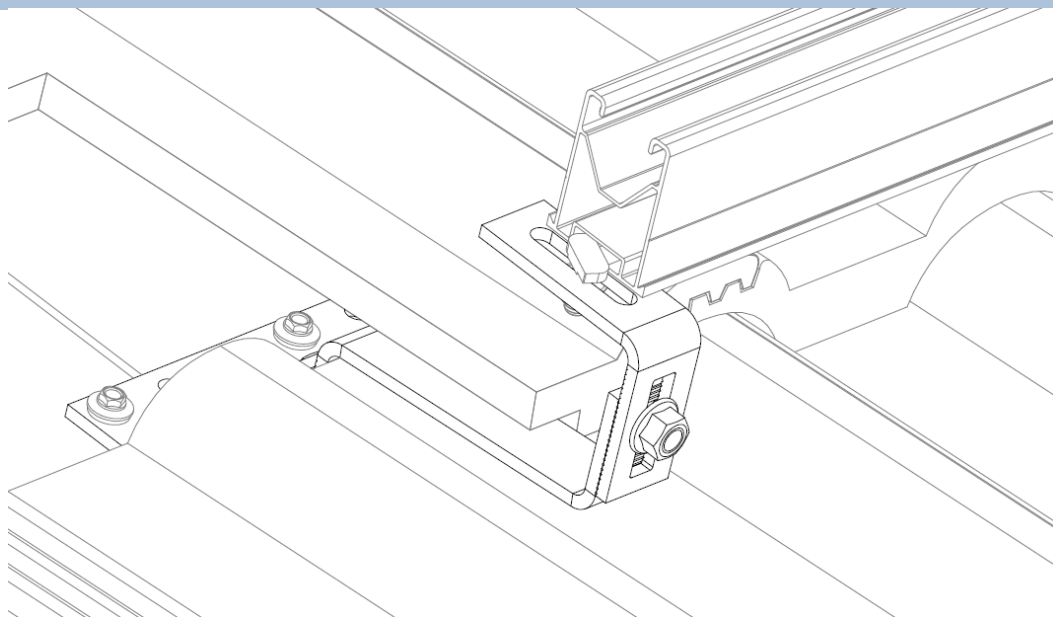
D603I08016 + D6923I0808

Used in **coplanar Atlantis steel systems** to attach the systems to tiled roof sub-structures. When mounting **GP-XS** "INDEXTUT solar perforated guide", one **D603I08016** "16 mm DIN-603 M8 bolt" and one **D6923I0808** "DIN-6923 M8 nut", both in A2-70 stainless steel, are used on each roof hook.

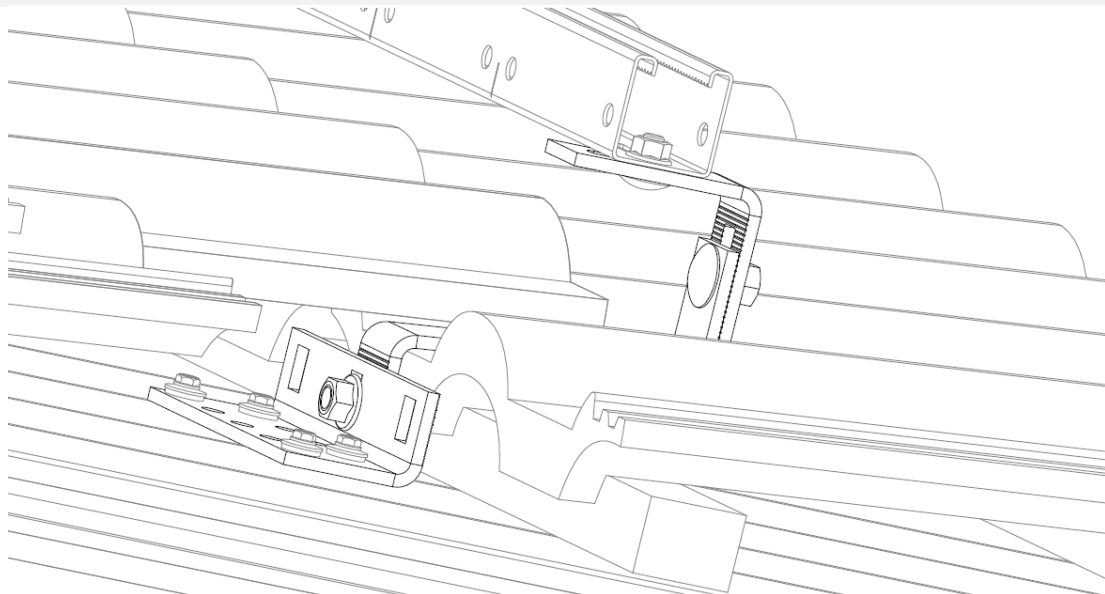
ROOF/SUB-STRUCTURE/FIXING

ROOF	SUB-STRUCTURE BASE MATERIAL	 WOOD	FIXING	 TP A2 Countersunk head chipboard screw, A2 Stainless steel	 TN4S 4-way expansion nylon plug	
		 CONCRETE		 DIN-571 A2 Coach wood screw with hexagonal head, A2 Stainless steel	 CHEMICAL ANCHOR	
		 HOLLOW CONCRETE		 EQ-A2 Stud bolt for chemical anchor. A2 Stainless steel.		 HE + ARVUL Screw for direct fixing. Screw with vulcanized EPDM-steel washer.
		 HOLLOW BRICK		 MO-TL Long cut-out sieve		

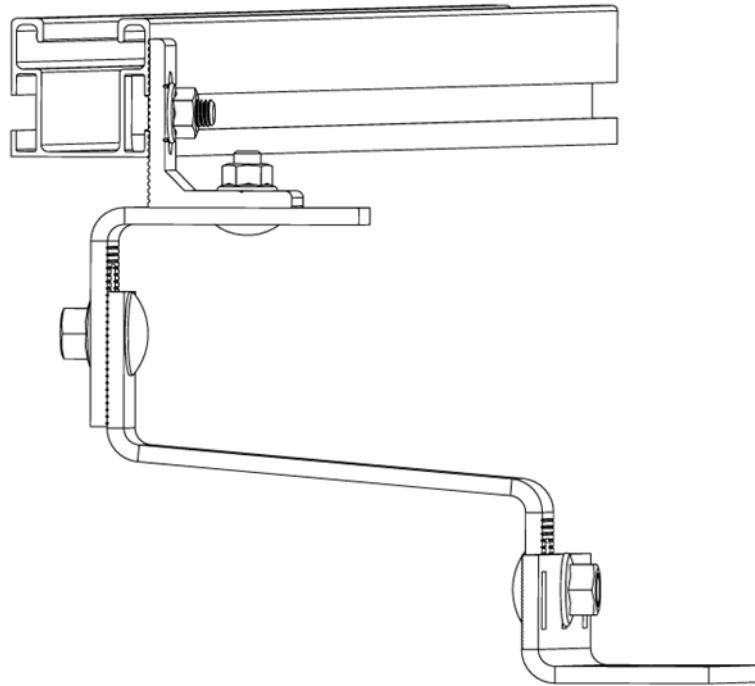
APPLICATION EXAMPLES



Application example 1: PSE-A profile mounting on concrete roof





Application example 2: Mounting of GP-XS perforated guide on concrete roof



Application example 3: PSE-C profile mounting

1. RANGE

ITEM	CODE	PHOTO	DESCRIPTION	ADJUSTABLE HEIGHT	MATERIAL
1	GSTU040055		Adjustable roof hook for universal roof tile. Stainless steel A2	40 - 55 mm	 A2 INOX AISI 304 AISI-304

2. INSTALLATION INFORMATION

2.1 GS-TU Adjustable roof hooks for universal roof tile. Stainless steel A2

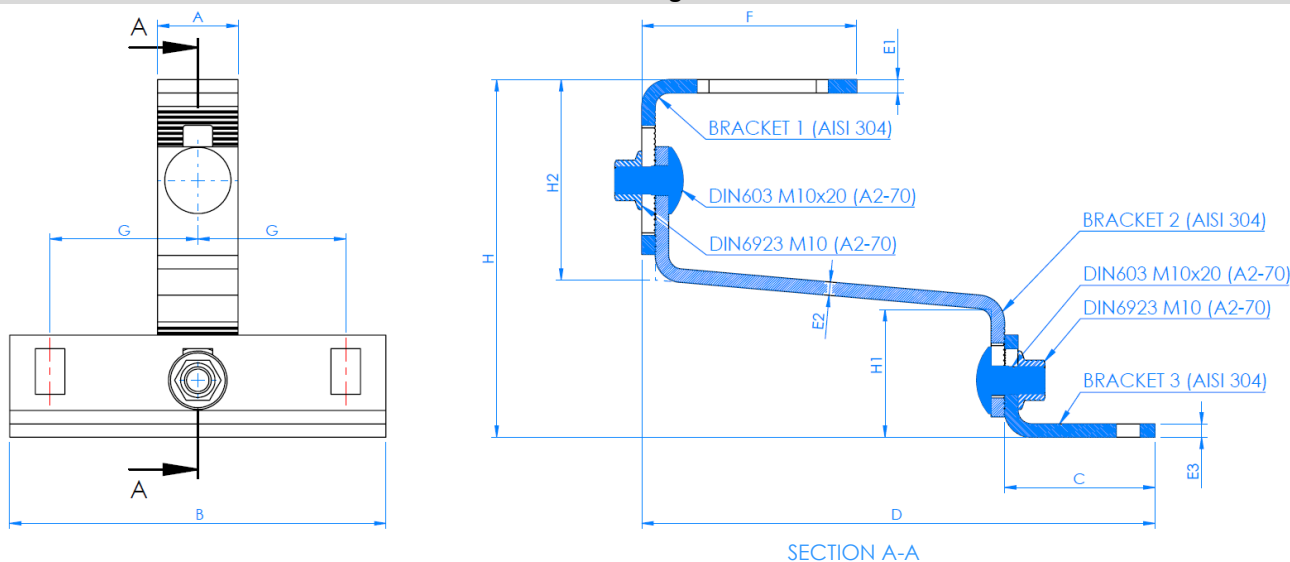


Material	Compatible	Mounting accessories	Roof
 AISI-304	 PSE-A Aluminium profile for assembled fixing	 KFSFIM08 Cross connector for bottom fixing	 Tile
	 PSE-C Aluminium profile for lateral assembled fixing	 KFSFIM08 + PMOL + D603108016 + D6923IM08	
	 GP-XS INDEXTUT solar perforated guide	 D603108016 + D6923IM08 DIN-603 M8x16 + DIN-6923 M8	
Sub-structure base material		Fixing accessories	
 Wood		 TP A2 Countersunk head chipboard screw, A2 Stainless steel	 TN4S 4-way expansion nylon plug
		 DIN-571 A2 Coach wood screw w/ hexagonal head, A2 Stainless steel	
 Concrete	 Hollow concrete	 Hollow brick	 Thermo-clay
		 EQ-A2 Stud bolt for chemical anchor, A2 Stainless steel.	 HE+ARVUL Screw for direct fixing. Screw with vulcanized EPDM-steel washer.
		 Chemical anchor	
		 MO-TL Long cut-out sieve	

Measurement table

Code	H1(mm)	H2(mm)	H (mm)	A (mm)	B (mm)	C (mm)	D (mm)	E1(mm)	E2(mm)	E3(mm)	F (mm)	G (mm)
GSTU040055	40-55	50-80	110-155	30	140	56	191	5	5	5	80	55

Drawing



Installation table								
	Height adjustment			Profile fixing			Compression	Tensile
	Nut	Height adjustment wrench (mm)	Max. installation tightening torque (N/m)	Nut	Installation wrench (mm)	Max. installation tightening torque (N/m)	Design load (kN)	Design load (kN)
GSTU040055	M10	SW15	28	M8	SW13	14	0.4	0.4