



OME



CAB



EMP



PCU



HO-CU



HO-CR



MA-BM



ADU



SUS




CHARACTERISTICS

- Accessories for drywall installation with CE marking.
- Easy and quick installation.
- Variety of solutions for different applications.
- Metric threaded holes improve the installation when using metric threaded rods.
- Valid for 45, 47 and 60 channels.
- Galvanized steel made.

APPLICATION EXAMPLES



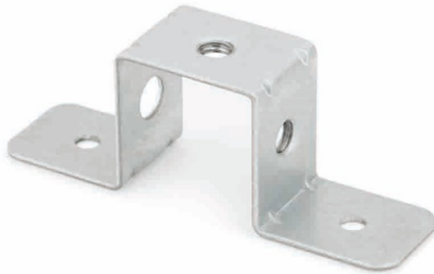
1. RANGE

ITEM	CODE	DESCRIPTION	PHOTO	MATERIAL	COATING
1	OME	Universal fixing		 Steel	 Atlantis C2-L $\geq 7 \mu\text{m}$
2	HO-CU	Suspension bracket		 Steel	 Atlantis C2-L $\geq 7 \mu\text{m}$
3	HO-CR	Suspension bracket		 Steel	 Atlantis C2-L $\geq 7 \mu\text{m}$
4	EMP	Connecting piece for channels		 Steel	 Atlantis C2-L $\geq 7 \mu\text{m}$
5	CAB	Trestle for profile intersection		 Steel	 Atlantis C2-L $\geq 7 \mu\text{m}$
6	MA-BM	Half pipe clamp M6 zinc plated		 Steel	 Zinc-plated $\geq 5 \mu\text{m}$
7	PCU	Angular iron strap		 Steel	 Atlantis C2-L $\geq 7 \mu\text{m}$
8	ADU	Direct "U" hook for supporting profiles on false ceilings		 Steel	 Atlantis C2-L $\geq 7 \mu\text{m}$
9	SUS	Accessory for hanging		 Steel	 Atlantis C2-L $\geq 7 \mu\text{m}$

2. INSTALLATION DATA

2.1 OME

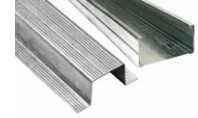
Universal fixing



MATERIAL AND GEOMETRY



Atlantis C2-L $\geq 7 \mu\text{m}$



Channel installation

CHARACTERISTICS

- Universal fixing for roofing installation.
- For hanging threaded rod.
- With two threaded holes M6.
- Side through hole.
- According to EN 13964:2006.

CODE

OMEM06

A

76

B

27

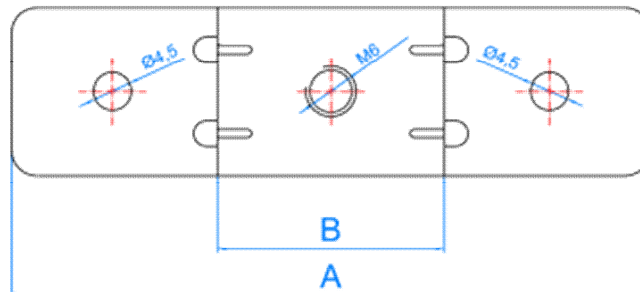
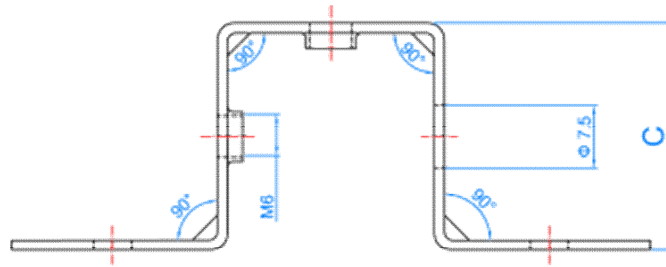
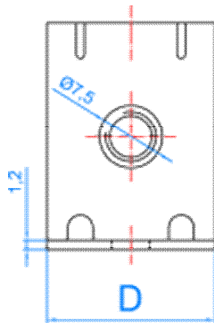
C

27

D

20

DRAWING



2.2 HO-CU

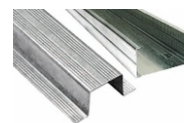
Suspension bracket



MATERIAL AND GEOMETRY



Atlantis C2-L $\geq 7 \mu\text{m}$



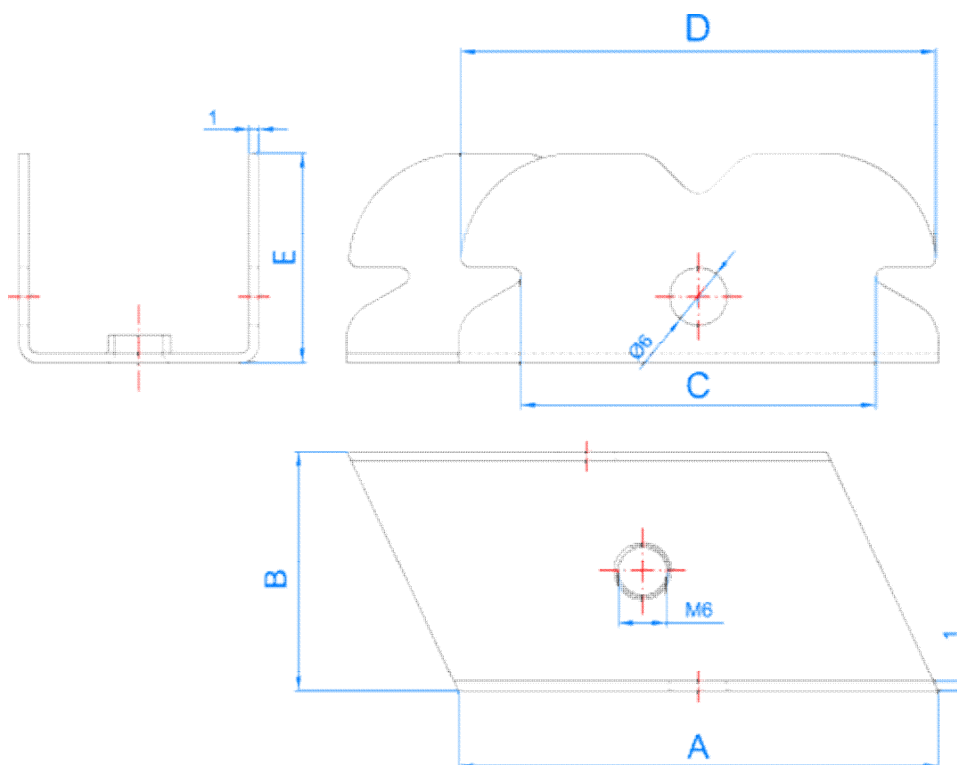
Channel installation

CHARACTERISTICS

- Suspension bracket for roofing installation with M6 threaded rod. For hanging threaded rod.
- Installation by turning the bracket.
- Threaded hole M6.
- For 47 channels.
- According to EN 13964:2006.

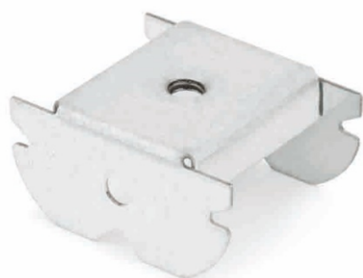
CODE	A	B	C	D	E
HOCUM647	50	25	37	49,5	22

DRAWING

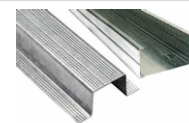


2.3 HO-CR

Suspension bracket



MATERIAL AND GEOMETRY



Atlantis C2-L $\geq 7 \mu\text{m}$

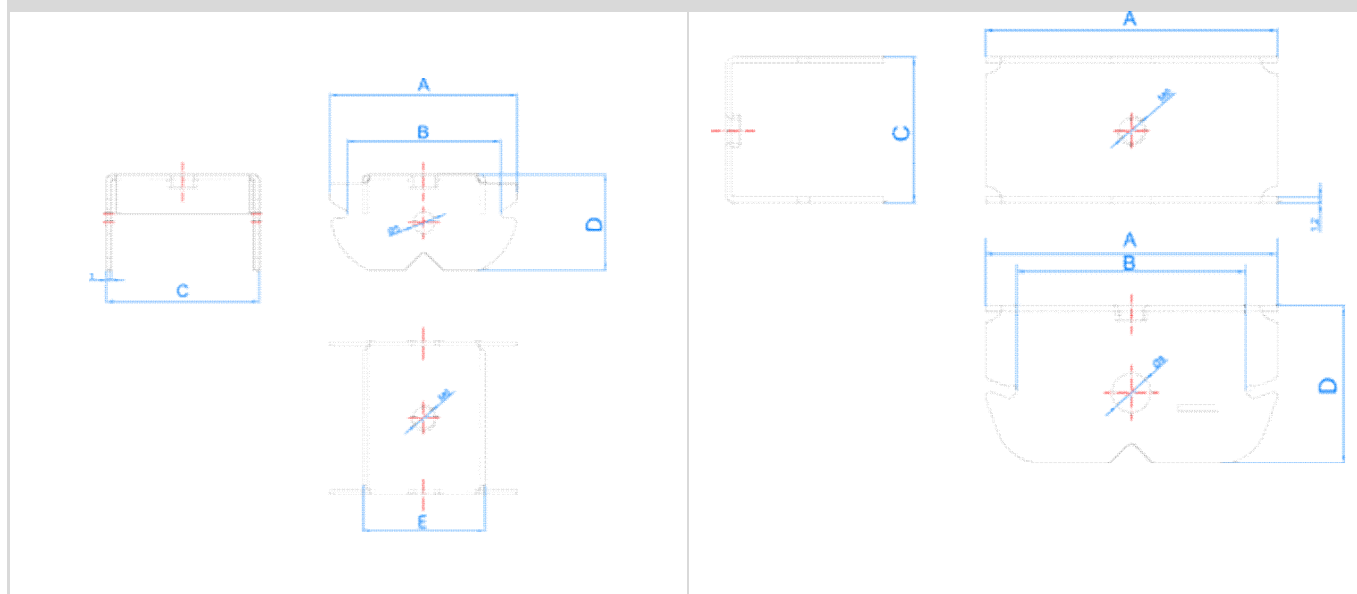
Channel installation

CHARACTERISTICS

- Suspension bracket for roofing installation with M6 threaded rod.
- For hanging threaded rod.
- M6 threaded hole.
- For 47 and 60 channels
- According to EN 13964:2006

CODE	A	B	C	D	E
HOCRM647	43	35	35	22	28
HOCRM660	60	47	30	32,5	--

DRAWING

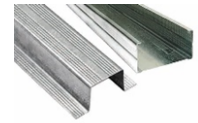


2.4 EMP

Connecting piece for channels



MATERIAL AND GEOMETRY



Atlantis C2-L $\geq 7 \mu\text{m}$

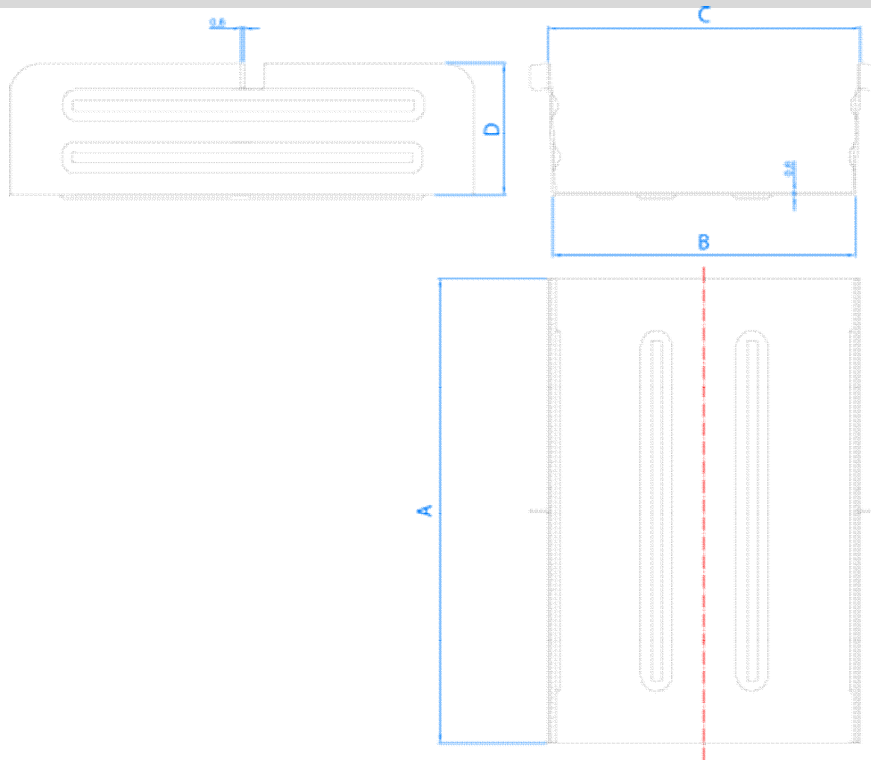
Channel installation

CHARACTERISTICS

- Connecting piece for 47 and 60 channels.
- For joining channels.
- Reinforcements included
- According to EN 13964:2006

CODE	A	B	C	D
EMPTC45	90	43	45	15,5
EMPTC47	90	45	47	14,5
EMPTC60	90	58	61	25,5

DRAWING

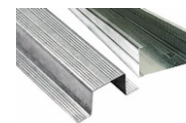


2.5 CAB

Trestle for profile intersection



MATERIAL AND GEOMETRY



Atlantis C2-L $\geq 7 \mu\text{m}$

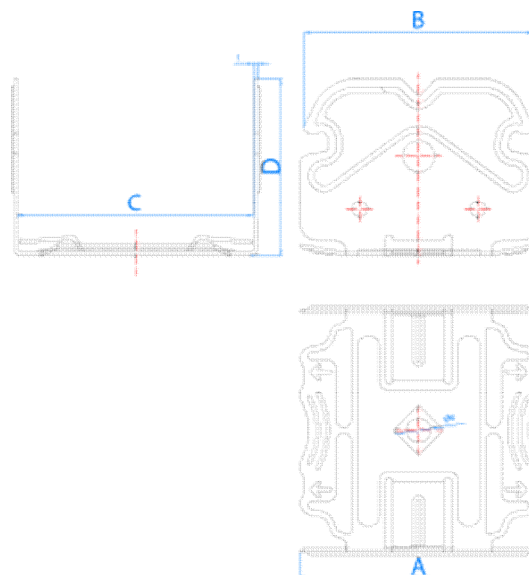
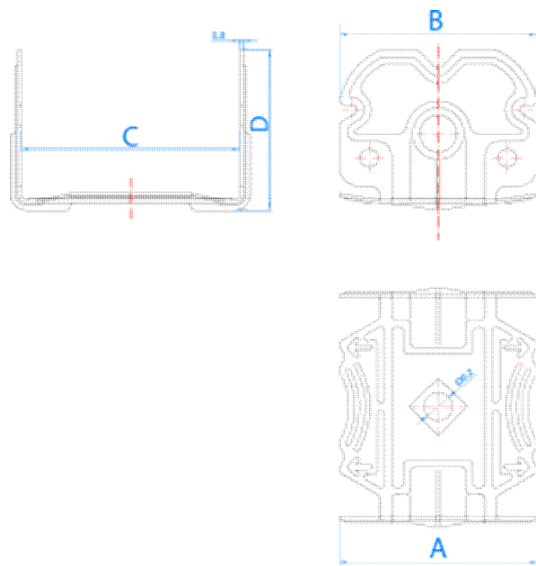
Channel installation

CHARACTERISTICS

- Trestle for profile intersection joints. Joining main channels with secondary ones.
- With M6 hole (not threaded).
- For 47 and 60 channels
- According to EN 13964:2006

CODE	A	B	C	D
CABTC47	43	42,5	47,5	35
CABTC60	60	58	60	45

DRAWING



2.6 MA-BM

Half pipe clamp M6 zinc plated



MATERIAL AND GEOMETRY



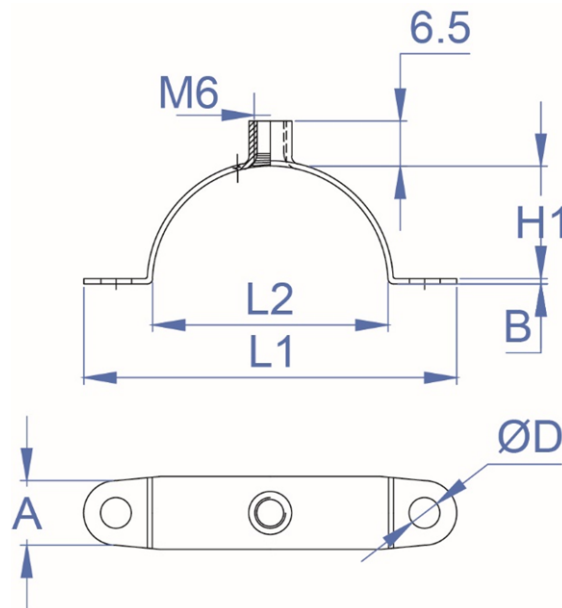
Zinc plated $\geq 5 \mu\text{m}$

CHARACTERISTICS

- Surface finish: electrolytic zinc plated, coating > 5 microns.
- Steel profile.
- Suitable for steel, plastic, copper and ventilation pipes.
- Indicated for sanitation, electrical and ventilation installations.

CODE	A	$\varnothing D$	L1	L2	H1	B
MABM6018	13	5	42	18	8,5	1,1

DRAWING



2.7 PCU

Angular iron strap



Propiedades



Steel

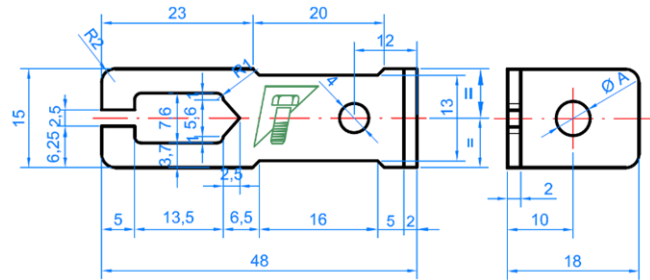


Atlantis C2-L $\geq 7 \mu\text{m}$

Sizes

Drawing

CODE		PCU0005	PCU0006
dØ: thread	[mm]	M8	M10
Threaded rod		975ZM06	975ZM10

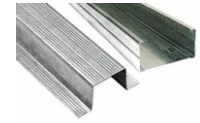


2.8 ADU

Direct "U" hook for supporting profiles on false ceilings



MATERIAL AND GEOMETRY



Atlantis C2-L $\geq 7 \mu\text{m}$

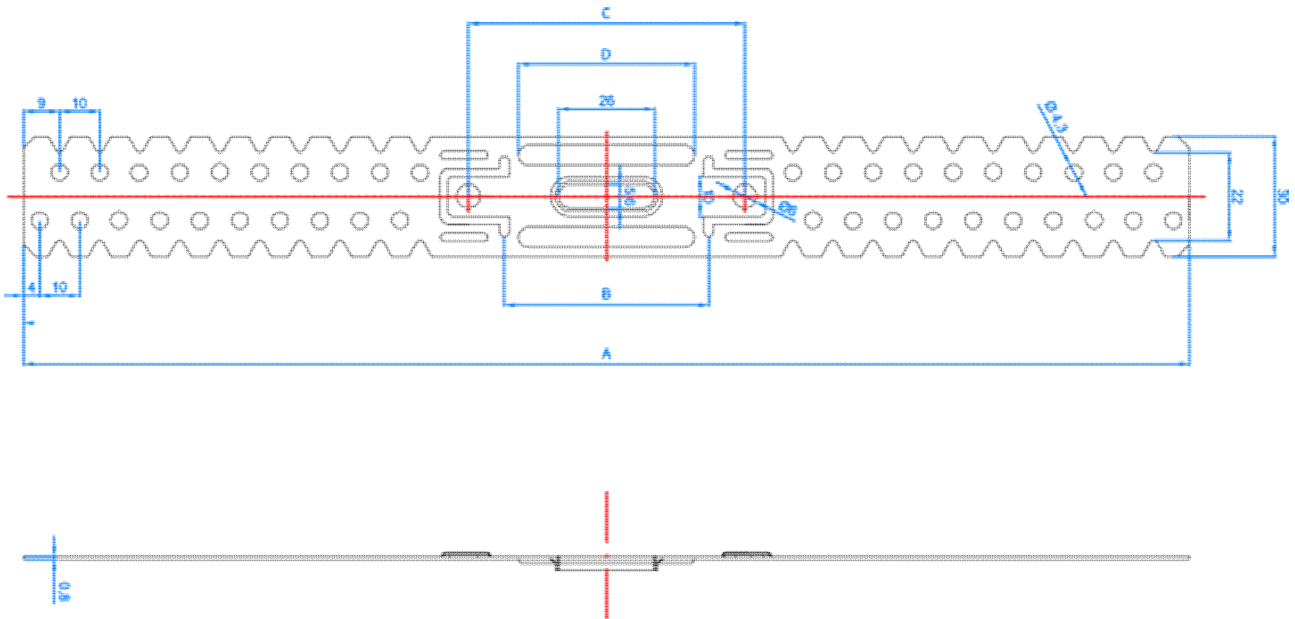
Channel installation

CHARACTERISTICS

- U hook for supporting channels.
- Slotted center hole for fixing it to the roof.
- Side holes for fixing it to the roof.
- According to EN 13964:2006

CODE	A	B	C	D
ADUTC47	291	51	69	44
ADUTC60	301	61	79	44

DRAWING

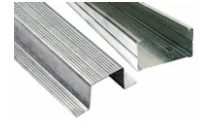


2.9 SUS

Accessory for hanging



MATERIAL AND GEOMETRY



Atlantis C2-L $\geq 7 \mu\text{m}$

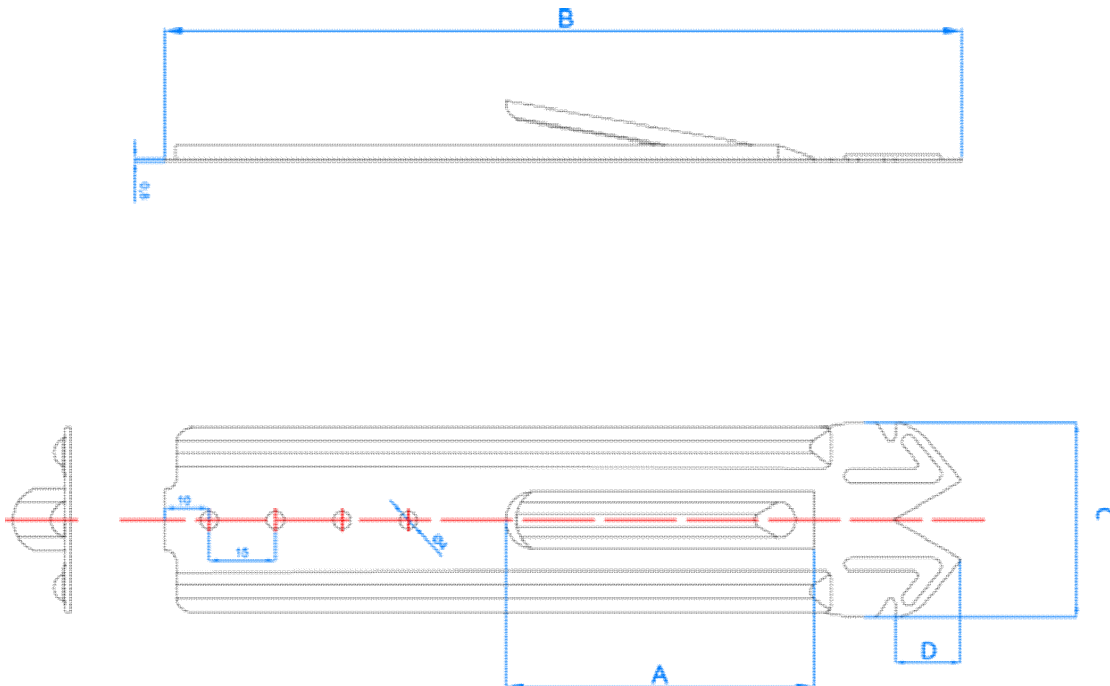
Channel installation

CHARACTERISTICS

- Accessory for hanging channels.
- Several lengths.
- Pre-drilled holes for joining the hanger with the base material.
- For 47 channels.
- With safety pin (240, 300, 400)
- According to EN 13964:2006

CODE	A	B	C	D	Nº of holes
SUSTC47090	--	90	43	15	5
SUSTC47180	--	180	43	15	10
SUSTC47240	70	240	43	15	9
SUSTC47300	70	300	43	15	13
SUSTC47400	70	400	43	15	19

DRAWING



3. MAXIMUM RECOMMENDED LOADS

CODE	VERTICAL LOAD [kg]	HORIZONTAL LOAD [kg]
OMEM06	154	111
HOCUM647	72	--
HOCRM647	106	--
HOCRM660	106	--
EMPTC45	--	--
EMPTC47	--	--
EMPTC60	--	--
CABTC47	71	--
CABTC60	65	--
MABM6018	70	--
ADUTC47	50	--
ADUTC60	50	--
SUSTC47090	47	--
SUSTC47180	47	--
SUSTC47240	47	--
SUSTC47300	47	--
SUSTC47400	47	--