



**AB-RI A2**



**AB-RE A2**



**AB-M6 A2**



**AB-RI A4**



**AB-RE A4**



**AB-SF A2**



**AZ-A2**



**AB-ITS**



**AB-ITD**

### CHARACTERISTICS



















- Stainless Steel clamps.
- Fixings for steel piping, stainless steel piping and plastic or rubber.
- Reinforced structure.
- Nut M8+M10 flexibility for installation.
- Variety of formats: isophonic, standard, hose clamp, M6.

### APPLICATION EXAMPLES



Uses: fixation of hoses, piping, industrial vertical and horizontal installations as well as food installations, high pressure and aggressive environments.

## 1. RANGE

ITEM	CODE	PHOTO	MATERIAL	SIZES	THICKNESS	WIDTH	NUT	MAXIMUM RECOMMENDED LOAD	SCREW	ISOPHONIC	TBC (Technical building code)
1	ABRIA2			Ø18 ÷ Ø160 mm	18,5 mm	1,7 mm	M8+M10	150	Screw	✓	✓
2	ABRIA4			Ø18 ÷ Ø160 mm	18,5 mm	1,7 mm	M8+M10	150	Screw	✓	✓
3	ABREA2			Ø18 ÷ Ø200 mm	18,5 mm	1,7 mm	M8+M10	150	Screw	--	--
4	ABREA4			Ø18 ÷ Ø200 mm	18,5 mm	1,7 mm	M8+M10	150	Screw	--	--
5	ABM6A2			Ø12 ÷ Ø28 mm	16 mm	1,5 mm	M6	70	Screw	--	--
6	ABSF2			Ø10 ÷ Ø150 mm	9 mm	0,7 mm	--	--	Screw with stamped washer	--	--
7	AZA2			1/2" – 8"	M6 – M10	--	M6 – M10	250 - 350	--	--	--
8	AB-ITS			Ø15 ÷ Ø28	M5	20,0 ÷ 33,0	-	10	-	-	-
9	AB-ITD			Ø15 ÷ Ø22	M5	20,0 ÷ 27,0	-	10	-	-	-

## 2. TECHNICAL DATA

### 2.1 ABRIA2

### Reinforced isophonic clamp M8+M10 Stainless Steel A2



#### MATERIALS AND GEOMETRY



Stainless A2

Nut M8+M10

Reinforced

#### USE MATERIAL



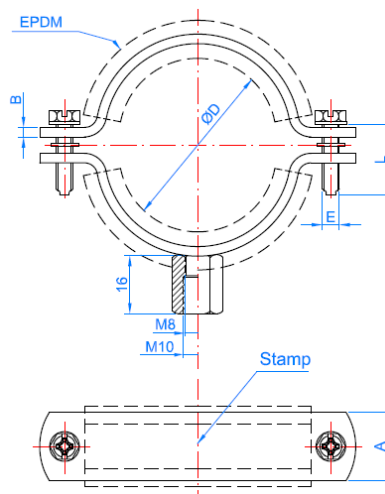
Steel pipe

Stainless steel pipe

PVC pipe

#### Installation Data

CODE	ØD [mm]	ØD ["]	AxB [mm]	Load [kg]
ABRIA2018	15 - 18	3/8"	18,5 x 1,7	150
ABRIA2022	20 - 24	1/2"	18,5 x 1,7	150
ABRIA2028	26 - 30	3/4"	18,5 x 1,7	150
ABRIA2035	32 - 36	1"	18,5 x 1,7	150
ABRIA2040	36 - 42	1 1/4"	18,5 x 1,7	150
ABRIA2048	47 - 50	1 1/2"	18,5 x 1,7	150
ABRIA2054	51 - 55	-	18,5 x 1,7	150
ABRIA2060	60 - 64	2"	18,5 x 1,7	150
ABRIA2075	75 - 80	2 1/2"	18,5 x 1,7	150
ABRIA2090	87 - 92	3"	18,5 x 1,7	150
ABRIA2110	106 - 112	-	18,5 x 1,7	150
ABRIA2115	114 - 119	4"	18,5 x 1,7	150
ABRIA2125	124 - 131	4 1/2"	18,5 x 1,7	150
ABRIA2140	133 - 140	5"	18,5 x 1,7	150
ABRIA2160	159 - 163	6"	18,5 x 1,7	150



## 2.2 ABRIA4

### Reinforced isophonic clamp M8+M10 Stainless Steel A4



#### MATERIALS AND GEOMETRY



Stainless A4

Nut M8+M10

Reinforced

#### USE MATERIAL



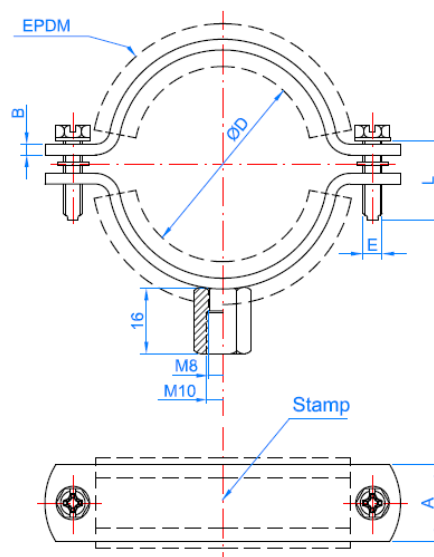
Steel pipe

Stainless steel pipe

PVC pipe

#### Installation Data

CODE	ØD [mm]	ØD ["]	AxB [mm]	Load [kg]
ABRIA4018	15 - 18	3/8"	18,5 x 1,7	150
ABRIA4022	20 - 24	1/2"	18,5 x 1,7	150
ABRIA4028	26 - 30	3/4"	18,5 x 1,7	150
ABRIA4035	32 - 36	1"	18,5 x 1,7	150
ABRIA4040	36 - 42	1 1/4"	18,5 x 1,7	150
ABRIA4048	47 - 50	1 1/2"	18,5 x 1,7	150
ABRIA4054	51 - 55	-	18,5 x 1,7	150
ABRIA4060	60 - 64	2"	18,5 x 1,7	150
ABRIA4075	75 - 80	2 1/2"	18,5 x 1,7	150
ABRIA4090	87 - 92	3"	18,5 x 1,7	150
ABRIA4110	106 - 112	-	18,5 x 1,7	150
ABRIA4115	114 - 119	4"	18,5 x 1,7	150
ABRIA4125	124 - 131	4 1/2"	18,5 x 1,7	150
ABRIA4140	133 - 140	5"	18,5 x 1,7	150
ABRIA4160	159 - 163	6"	18,5 x 1,7	150



**2.3 ABREA2**

**Reinforced clamp M8+M10  
Stainless Steel A2**



**MATERIALS AND GEOMETRY**



Stainless A2

Nut M8+M10

Reinforced

**USE MATERIAL**

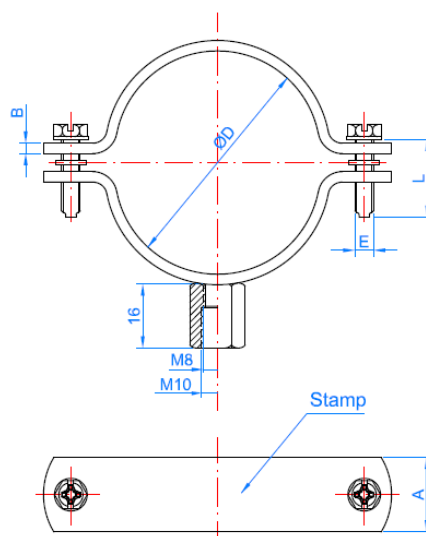


Stainless pipe

PVC pipe

**Installation Data**

CODE	ØD [mm]	ØD ["]	AxB [mm]	Load [kg]
ABREA2018	15 - 18	3/8"	18,5 x 1,7	150
ABREA2022	20 - 24	1/2"	18,5 x 1,7	150
ABREA2028	26 - 30	3/4"	18,5 x 1,7	150
ABREA2035	32 - 36	1"	18,5 x 1,7	150
ABREA2040	36 - 42	1 1/4"	18,5 x 1,7	150
ABREA2048	47 - 50	1 1/2"	18,5 x 1,7	150
ABREA2054	51 - 55	-	18,5 x 1,7	150
ABREA2060	60 - 64	2"	18,5 x 1,7	150
ABREA2075	75 - 80	2 1/2"	18,5 x 1,7	150
ABREA2090	87 - 92	3"	18,5 x 1,7	150
ABREA2110	106 - 112	-	18,5 x 1,7	150
ABREA2115	114 - 119	4"	18,5 x 1,7	150
ABREA2125	124 - 131	4 1/2"	18,5 x 1,7	150
ABREA2140	133 - 140	5"	18,5 x 1,7	150
ABREA2160	159 - 163	6"	18,5 x 1,7	150
ABREA2200	199 - 212	-	18,5 x 1,7	150



**2.4 ABREA4**

**Reinforced clamp M8+M10  
Stainless Steel A2**



**MATERIALS AND GEOMETRY**



Stainless A4

Nut M8+M10

Reinforced

**USE MATERIAL**

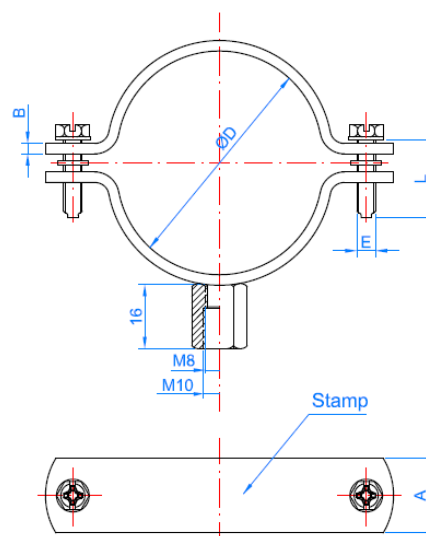


Stainless pipe

PVC pipe

**Installation Data**

CODE	ØD [mm]	ØD ["]	AxB [mm]	Load [kg]
ABREA4018	15 - 18	3/8"	18,5 x 1,7	150
ABREA4022	20 - 24	1/2"	18,5 x 1,7	150
ABREA4028	26 - 30	3/4"	18,5 x 1,7	150
ABREA4035	32 - 36	1"	18,5 x 1,7	150
ABREA4040	36 - 42	1 1/4"	18,5 x 1,7	150
ABREA4048	47 - 50	1 1/2"	18,5 x 1,7	150
ABREA4054	51 - 55	-	18,5 x 1,7	150
ABREA4060	60 - 64	2"	18,5 x 1,7	150
ABREA4075	75 - 80	2 1/2"	18,5 x 1,7	150
ABREA4090	87 - 92	3"	18,5 x 1,7	150
ABREA4110	106 - 112	-	18,5 x 1,7	150
ABREA4115	114 - 119	4"	18,5 x 1,7	150
ABREA4125	124 - 131	4 1/2"	18,5 x 1,7	150
ABREA4140	133 - 140	5"	18,5 x 1,7	150
ABREA4160	159 - 163	6"	18,5 x 1,7	150
ABREA4200	199 - 212	-	18,5 x 1,7	150



**2.5 ABM6A2**

**M6 Clamps, Stainless steel A2**



**MATERIALS AND GEOMETRY**



Stainless A2

**USE MATERIAL**



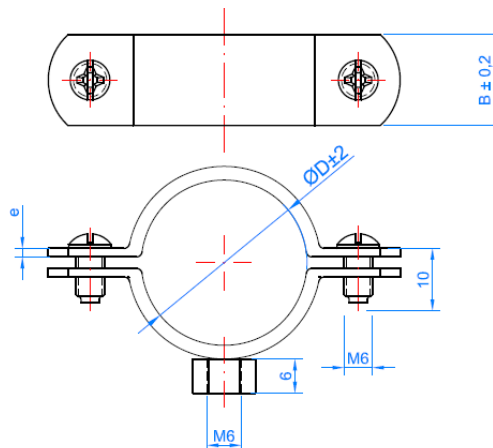
Stainless pipe



PVC pipe

**Installation Data**

CODE	ØD [mm]	ØD ["]	AxB [mm]	Load [kg]
ABM6A2012	12	1/4"	16 x 1,5	70
ABM6A2015	14 - 15	-	16 x 1,5	70
ABM6A2018	16 - 18	3 / 8"	16 x 1,5	70
ABM6A2020	19 - 21	1 / 2"	16 x 1,5	70
ABM6A2022	22 - 24	-	16 x 1,5	70
ABM6A2028	25 - 30	3/4"	16 x 1,5	70



**2.6 ABSF2**

**Hose clamp , Stainless Steel A2**



**MATERIALS AND GEOMETRY**



Stainless A2

Embossed washer

For several Ø

**USE MATERIAL**

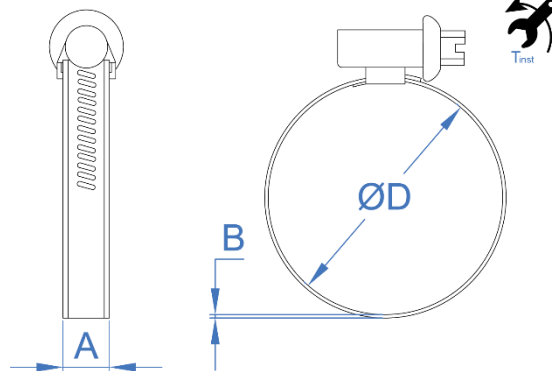


Stainless pipe

PVC pipe

**Installation Data**

CODE	ØD [mm]	ØD ["]	AxB [mm]	Torque [Nm]
ASF2010016	10-16	-	9 x 0,7	4
ASF2012020	12-20	1/2"- 7/8"	9 x 0,7	4
ASF2016027	16-27	5/8"- 1 1/16"	9 x 0,7	4
ASF2020032	20-32	3/4"- 1 1/4"	9 x 0,7	4
ASF2025040	25-40	1"- 1 5/8"	9 x 0,7	4
ASF2032050	32-50	1 3/8"- 2"	9 x 0,7	4
ASF2040060	40-60	1 5/8"- 2 3/8"	9 x 0,7	4
ASF2050070	50-70	2"- 2 3/4"	9 x 0,7	4
ASF2060080	60-80	2 3/8"- 3 1/8"	9 x 0,7	4
ASF2070090	70-90	2 3/4"- 3 1/2"	9 x 0,7	4
ASF2080100	80-100	3 1/8"- 4"	9 x 0,7	4
ASF2090110	90-110	3 1/2"- 4 3/8"	9 x 0,7	4
ASF2100120	100-120	4"- 4 3/4"	9 x 0,7	4
ASF2110130	110-130	4 3/8"- 5 1/8"	9 x 0,7	4
ASF2120140	120-140	4 3/4"- 5 1/2"	9 x 0,7	4
ASF2130150	130-150	5 1/8"- 5 7/8"	9 x 0,7	4





**2.7 AZ-A2**

**U-BOLT STAINLESS STEEL A2**



**MATERIALS AND GEOMETRY**



Stainless A2

4 Nuts

**USE MATERIAL**



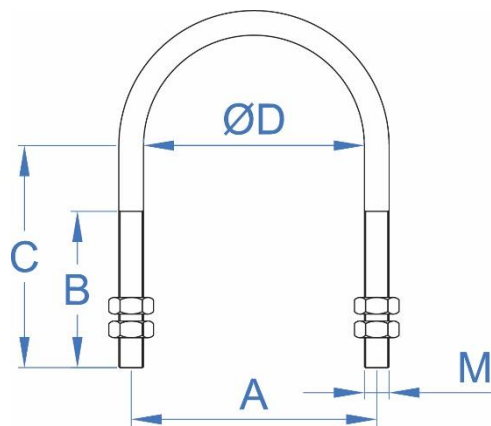
Steel pipe

Stainless steel pipe

PVC pipe

**Installation Data**

CODE	M	Ø D (")	A (mm)	B (mm)	C (mm)	Maximum load recommended (kg)
AZA2060500	M6	1/2"	27,5	17	25	250
AZA2060750	M6	3/4"	33	19	31	250
AZA2061000	M6	1"	39,5	24	39	250
AZA2061250	M6	1 1/4"	48,5	24	44	250
AZA2081500	M8	1 1/2"	56,5	26	48	350
AZA2082000	M8	2"	68,5	26	53	350
AZA2082500	M8	2 1/2"	83	35	71	350
AZA2083000	M8	3"	99	35	76	350
AZA2104000	M10	4"	125	55	97,5	350
AZA2106000	M10	6"	170	55	125	350
AZA2108000	M10	8"	230	55	148	350



**2.8 AB-ITS**

**Stainless steel clamp indextube simple**



Stainless steel A2

**Base Materials**



Steel Piping

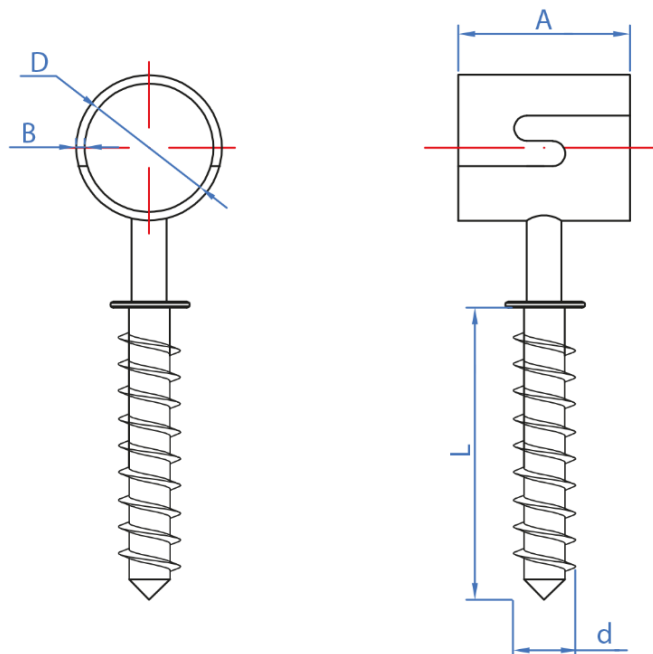
Copper Piping

Plastic Piping

**Installation data**


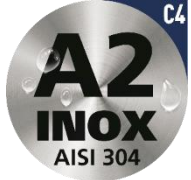



Code	A (mm)	B (mm)	D (mm)	L (mm)	d (mm)	Maximum recommended load (kg)	Characteristics
ABITS015	20	1,0	15	35	4,8	10	<ul style="list-style-type: none"> <li>• For piping and cables from <math>\varnothing 15</math> to <math>\varnothing 28</math> mm</li> <li>• Suitable for steel and plastic tubes.</li> <li>• Suitable for sanitary installations.</li> </ul>
ABITS018	22,5	1,0	18	35	4,8	10	
ABITS022	27	1,0	22	35	4,8	10	
ABITS028	33	1,2	28	35	4,8	10	

**DRAWING**



**2.9 AB-ITD**

**Stainless steel clamp indextube double**

	Coating		Base Materials		
					
	Stainless steel A2		Steel Piping	Copper Piping	Plastic Piping

**Installation data**

Code	A (mm)	B (mm)	D (mm)	L (mm)	d (mm)	Maximum recommended load (kg)	Characteristics
ABITD015	20	1,0	15	35	4,8	10	<ul style="list-style-type: none"> <li>• For piping and cables from <math>\varnothing 15</math> to <math>\varnothing 28</math> mm</li> <li>• Suitable for steel and plastic tubes.</li> <li>• Suitable for sanitary installations.</li> </ul>
ABITD018	22,5	1,0	18	35	4,8	10	
ABITD022	27	1,0	22	35	4,8	10	

**DRAWING**

