



TE-PE



TE-GR



TE-MO



TE-GA



AB-M8



AB-DE Z



AB-DE G



AB-DP Z

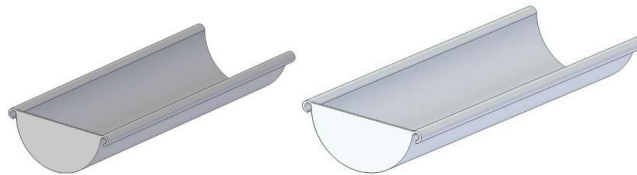


AB-DP G

CHARACTERISTICS

- 3-mm thick cold curved support.
- Zinc-plated finish ≥ 5 microns.
- DIN 603 screw with washer nut for easy fixing to guttering.
- Fast fixing to tiles.
- No building work required.

BASE MATERIALS








APPLICATION EXAMPLES



1. RANGE					
ITEM	CODE	SIZES (MM)	PHOTO	DESCRIPTION	MATERIAL
1	TE-PE	22 x 50		Tile plate	
2	TE-GR	33 x 50		Big tile plate	
3	TE-MO	100 – 150		Module for PVC channel	
4	TE-GA	100 - 150		Hook for PVC channel	
5	AB – M8	Ø50 – Ø315		Drain clamp M8	
6	AB – DE Z	Ø75 – Ø315		Recessed drain clamp (Zinc plated)	
7	AB – DE G	Ø75 – Ø315		Recessed drain clamp (Atlantis C2-L)	
8	AB – DP Z	Ø75 – Ø250		Drain clamp with foot (Zinc plated)	
9	AB – DP G	Ø75 – Ø250		Drain clamp with foot (Atlantis C2-L)	

2. INSTALLATION DATA

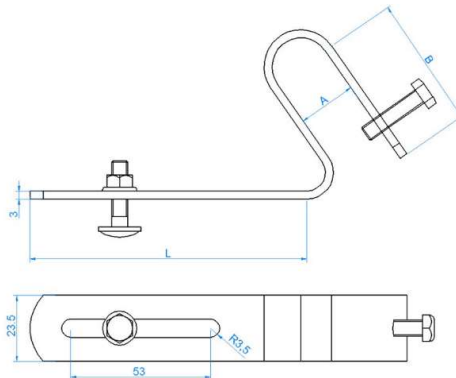
2.1 TE- PE - Small Tile Plate

		Work Material	
		 <p>Tiles</p>	
Main Uses		Properties	
 <p>Plastic Guttering</p>	 <p>Metallic Guttering</p>		

Characteristics and Advantages

- System for fixing guttering supports to tiles.
- 3-mm thick cold curved support.
- Zinc-plated finish ≥ 5 microns.
- DIN 603 screw with washer nut for easy fixing to guttering.

Plane



Installation data

CODE	A (mm)	B (mm)	L (mm)
TEPE2530	22	50	100

Application Examples



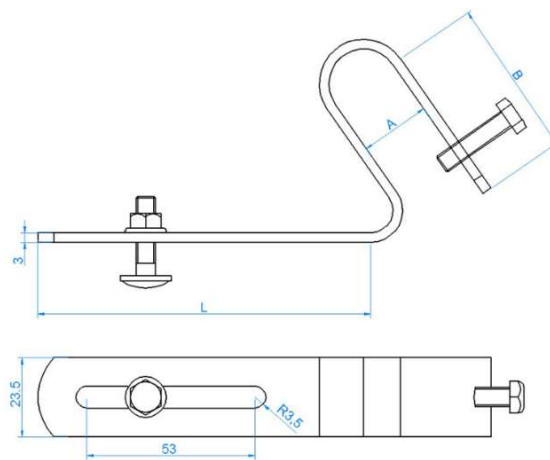
2.2 TE-GR - Large Tile Plate

		Work Material	
		 Tiles	
Main Uses		Properties	
 Plastic Guttering	 Metallic Guttering		

Characteristics and Advantages

- System for fixing guttering supports to tiles.
- 3-mm thick cold curved support.
- Zinc-plated finish ≥ 5 microns.
- DIN 603 screw with washer nut for easy fixing to guttering.

Details








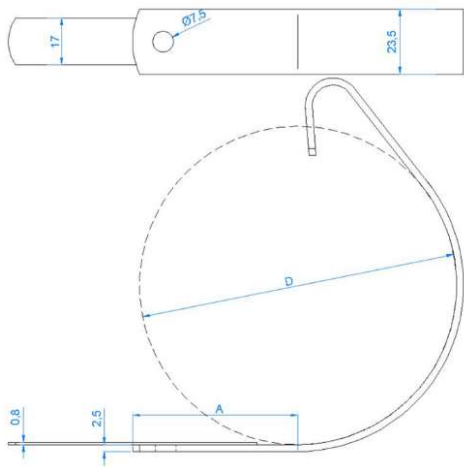



Installation data

CODE	A (mm)	B (mm)	L (mm)
TEGR2530	35	50	80

Application Examples



2.3 TE-MO - PVC Guttering Module

		Work Material	
		 <p>Tiles</p>	
Main Uses		Properties	
 <p>Plastic Guttering</p>	 <p>Metallic Guttering</p>		
Characteristics and Advantages			
<ul style="list-style-type: none"> • Guttering fixing system using TEPE, TEGR or a plug and screw into the wall. • Possibility of lacquering in different colours. • 2.5-mm thick cold curved support. • Zinc-plated finish ≥ 5 microns. 			
Details			
			
Installation data			
CODE TEMO25	D (mm) 100	A (mm) 60	
Application Examples			
			

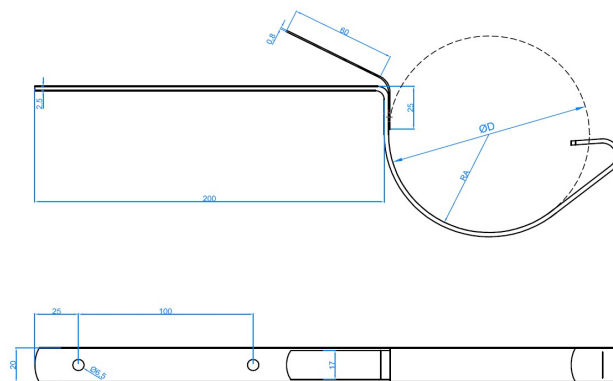
2.4 TE-GA - Hook for PVC Guttering

		Work Material	
		 Tiles	
Main Uses		Properties	
 Plastic Guttering	 Metallic Guttering		

Characteristics and Advantages

- System for fixing guttering supports to roofing.
- Possibility of lacquering in different colours.
- 2.5-mm thick cold curved support.
- Zinc-plated finish ≥ 5 microns.

Details



Installation data

CODE	$\varnothing D$ (mm)
TEGA25	100
TEGA33	150

Application Examples



2.5 AB-M8

Drainpipe clamp M8



Benefits



Coating



Zinc-plated

Base Material



Steel pipes

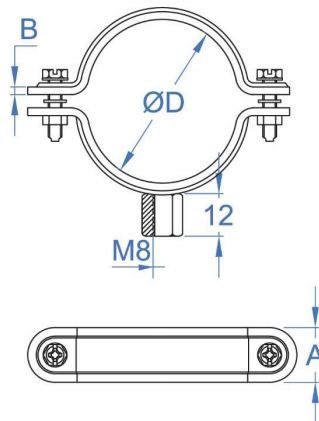
Copper pipes

PVC pipes

Installation data

Code	Size [mm]	Ø D (mm)	A x B (mm)	Maximum load recommended (kg)	Characteristics
ABM8050	50	49 - 54	27.4 x 0.7	100	<ul style="list-style-type: none"> • Pipes from Ø50 to Ø315 mm. • Surface coating: electrolytic zinc plated, coating >3 microns. • Tornillos laterales con arandela de plástica para evitar su pérdida. • Riveted nut M8. • Recommended for PVC drainpipes. • Easy and quick installation.
ABM8063	63	60 - 65	27.4 x 0.7	100	
ABM8075	75	75 - 80	27.4 x 0.7	100	
ABM8090	90	88 - 92	27.4 x 0.7	100	
ABM8110	110	108 - 113	27.4 x 0.7	100	
ABM8125	125	124 - 130	27.4 x 0.7	100	
ABM8160	160	159 - 165	27.4 x 0.9	100	
ABM8200	200	199 - 203	27.4 x 0.9	100	
ABM8250	250	249 - 254	27.4 x 0.9	100	
ABM8315	315	314 - 319	27.4 x 0.9	100	

DRAWING



2.6 AB-DE Z/G

Cast-in drainpipe clamp



Benefits



Coating



Zinc-plated and ATLANTIS C2-L

Base Material



Steel pipes

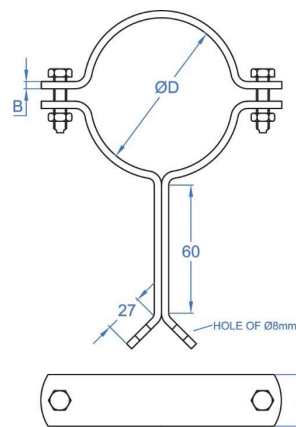


PVC pipes

Installation data

Code	Size [mm]	Ø D (mm)	Ø D (")	A x B (mm)	Maximum load recommended (kg)	Coating	Characteristics
ABDE075	75	75 - 80	2 1/2"	20x2	200		<ul style="list-style-type: none"> • Designed to be built-in in construction. • Screws with loose nuts to ease the installation. • Pipes from Ø75 to Ø315 mm. • Surface coating: electrolytic zinc plated, coating >5 microns. • Screw length M6x30. • Recommended for fixing vertical plastic and steel cast-in pipes. • Reinforced clamp of 2.5 mm thickness. • Easy and quick installation.
ABDE090	90	87 - 92	3"	20x2	200		
ABDE110	110	107 - 112	-	20x2	200		
ABDE125	125	125 - 130	4 1/2"	20x2	200		
ABDE160	160	159 - 166	6"	20x2	200		
ABDE200	200	199 - 212	-	20x2	200		
ABDE250	250	245 - 254	-	20x2	200		
ABDE315	315	314 - 319	-	20x2	200		

DRAWING



2.7 AB-DP Z/G

Drainpipe clamp with hole



Benefits



Coating



Zinc-plated and ATLANTIS C2-L

Base Material



Steel pipe



PVC pipe

Installation data

Code	Size [mm]	Ø D (mm)	Ø D (")	A x B (mm)	Maximum load recommended (kg)	Coating	Characteristics
ABDP075	75	75 - 80	2 1/2"	20x2	200	ZINC	<ul style="list-style-type: none"> • Pipes from Ø75 to Ø250 mm. • Designed to be fixed in the wall. • Screws with loose nuts to ease the installation. • Surface coating: electrolytic zinc plated, coating >5 microns. • Screw length M6x25. • Recommended for fixing vertical plastic and steel pipes, mainly to facades with anchor or screws. • Reinforced clamp of 2 mm thickness.
ABDP090	90	87 - 92	3"	20x2	200		
ABDP110	110	107 - 112	-	20x2	200		
ABDP125	125	125 - 130	4 1/2"	20x2	200		
ABDP160	160	159 - 166	6"	20x2	200	ATLANTIS	
ABDP200	200	199 - 212	-	20x2	200		
ABDP250	250	245 - 254	-	20x2	200		

DRAWING

