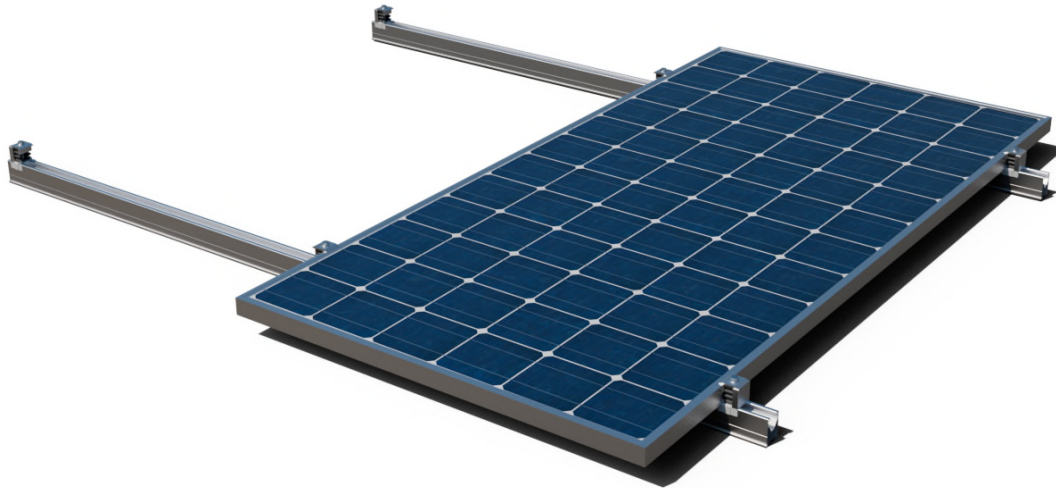


SC-PSE

SYSTEM DESCRIPTION

Coplanar mounting system **PSE-A** “aluminium profile for assembled fixing”, for the installation of solar panels.



1. CHARACTERISTICS

Description:	Coplanar mounting system on PSE-A aluminium profile in continuous format on metal cover.
System inclination:	Coplanar mounting with parallel installation to the roof surface.
System orientation:	Facing SOUTH, EAST OR WEST depending on the roof orientation.
System materials:	Aluminium, stainless steel and EPDM.
Warranty:	Until 10 years depending on environmental conditions (excluding environments exposed to hydrogen sulphide). The warranty is only valid if the complete SC-PSE system is used.
Certification:	CE according to EN 1090-1:2009+A1:2011
Compatible solar panels:	
Solar panels type:	Solar panels with frame height between 30mm and 40mm.
Solar panels orientation:	Mounting orientation of portrait (vertical) and landscape (horizontal) panels.
Solar panel size	Adaptable to standard market sizes.
Application area:	
Application area:	Sloping roofs.
Roof slope:	Installation on pitched roofs, slope between 10° and 60°.
Wind load:	Up to 240 km/h. The structure and fixing must be calculated according to local and roof conditions.
Snow load:	Up to 2 kN/m ² . The structure and fixing must be calculated according to local and roof conditions.

2. COMPONENTS

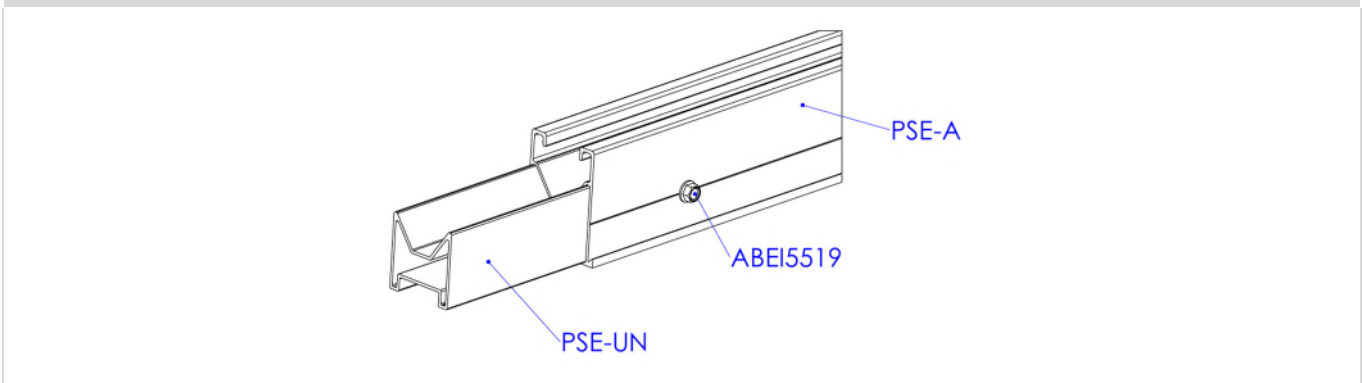
Quick pre-assembled clamp		Simple clamp		INDEXTRUT quick nut		Gauge for solar frame		Profile for assembled fixing		Connector for PSE-A profile		Cross connector for bottom fixing	
	KFR-SC		PGS-A		TU-RXA2		GM-A		PSE-A		PSE-UN		KFS-FI

2.1 Components: Clamps and gauges for mounting solar panels

Option 1: Quick clamp	Option 2: Simple clamp	Option 1: Quick clamp	Option 2: Simple clamp

2.2 Components: Profiles, joints and guides for supporting structures

Longitudinal connection of profiles



2.3 Components: mounting connectors for fixing accessories

Lower connection

Fixing with double threaded stud	Fixing with adjustable support for trapezoidal roof

3. TYPES OF FIXING

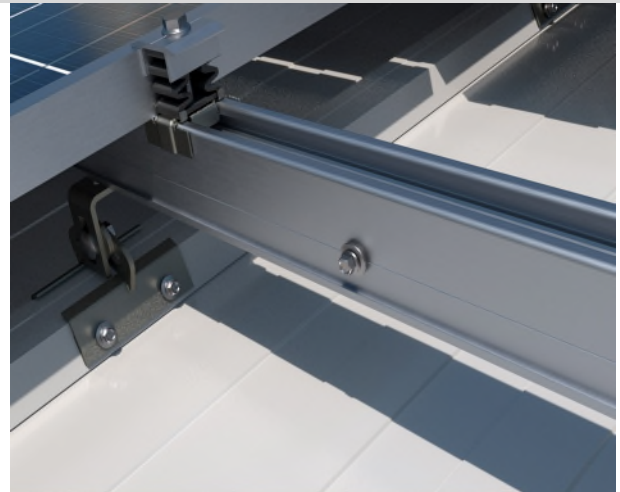
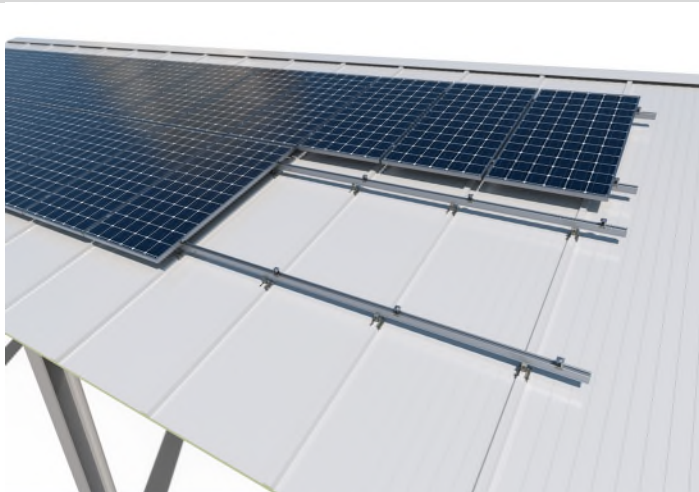
	ROOF	SUB-STRUCTURE	FIXING ACCESSORIES			
TYPE 1	 METAL SHEET	 CONCRETE	 PMO Plate for double threaded screw	 KFS-RV Threaded rod for chemical anchor installation.	 Chemical anchor	 MO-TM Wire Mesh Sleeves
	 SANDWICH PANEL	 HOLLOW CONCRETE				
TYPE 2	 METAL SHEET	 WOOD	 PMO Plate for double threaded screw	 KFS-MA Threaded rod for chemical anchor installation.		
	 SANDWICH PANEL					
TYPE 3	 FIBROCEMENTO	 METAL	 PMO Plate for double threaded screw	 KFS-AU Self-tapping screw		
	 METAL SHEET					
	 SANDWICH PANEL					
TYPE 4	 METAL SHEET		 STR adjustable support for trapezoidal roof		 TAC-N / TAC-B Atlantis/Bimetal thin sheet screw	 AUENI Self-drilling screw
	 SANDWICH PANEL					

4. EXAMPLES OF APPLICATION

Example 1: Sandwich panel roof tile simulation on metal porch / fixing with self-tapping rod KFS-AU



Example 2: Sandwich panel roof / fixing with adjustable trapezoidal bracket STR



5. INSTALLATION MANUAL

SC-PSE

Coplanar mounting system with PSE-A “Aluminium profile for assembled fixing” fixed on metal cover



Read these installation instructions before starting installation and familiarise yourself with the system components. Installation must only be carried out by qualified and experienced personnel.

Installation guidelines:

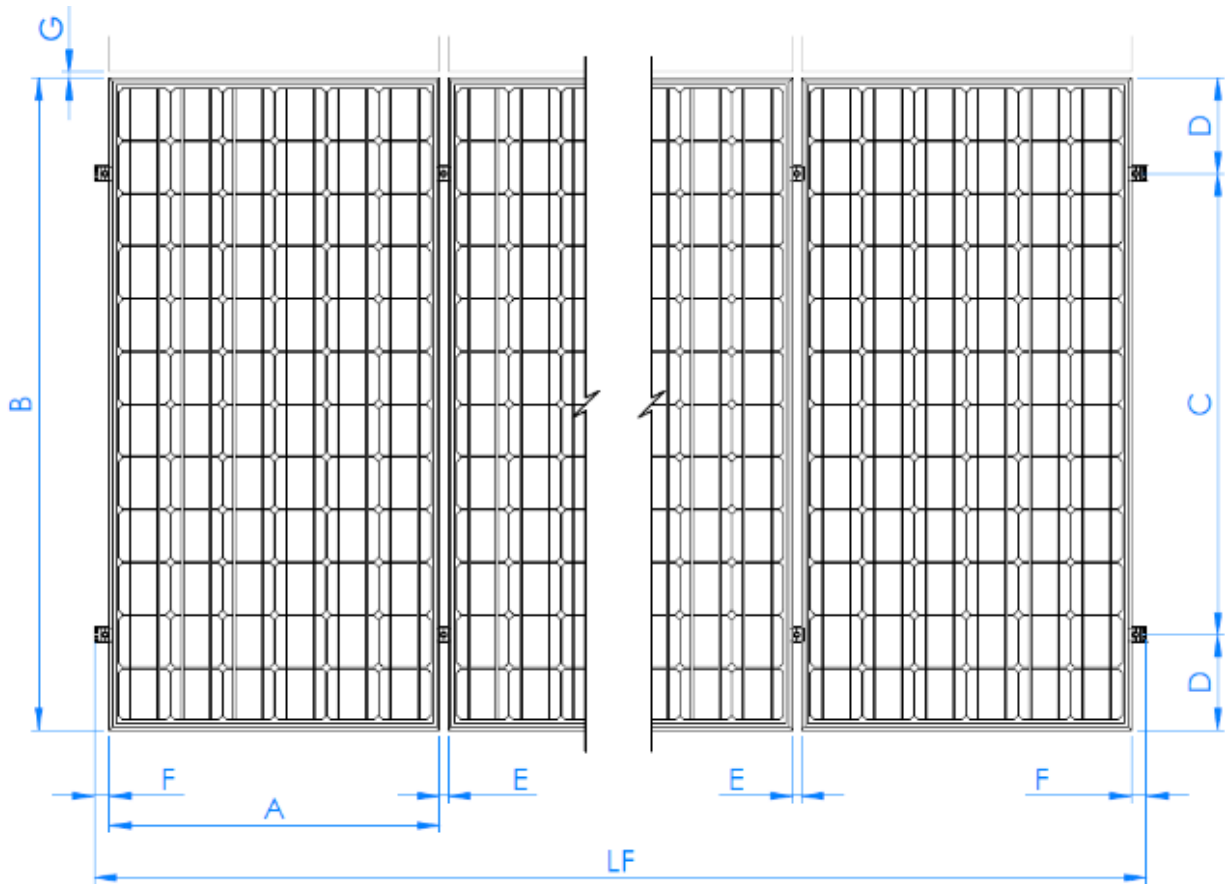
- Ensure that the roof construction is suitable for the introduction of forces at the fixing points and their subsequent transmission. The building must be able to safely receive the additional loads.
- A structural calculation must be carried out based on the local conditions at the installation site.
- The planning of the layout of the fixing points must be adapted to the requirements of the system and the roof.
- To compensate for thermal expansion, include a spacing every 12m when planning the PV system.
- The solar modules must be installed according to the manufacturer's instructions.
- Follow your local building regulations.
- Make sure to work in accordance with the health and safety regulations in force in your region, during installation and during roof work.
- Do not use the system or fixings as stairs.

INSTALLATION PROCESS

STEP 1.- Consult installation drawing

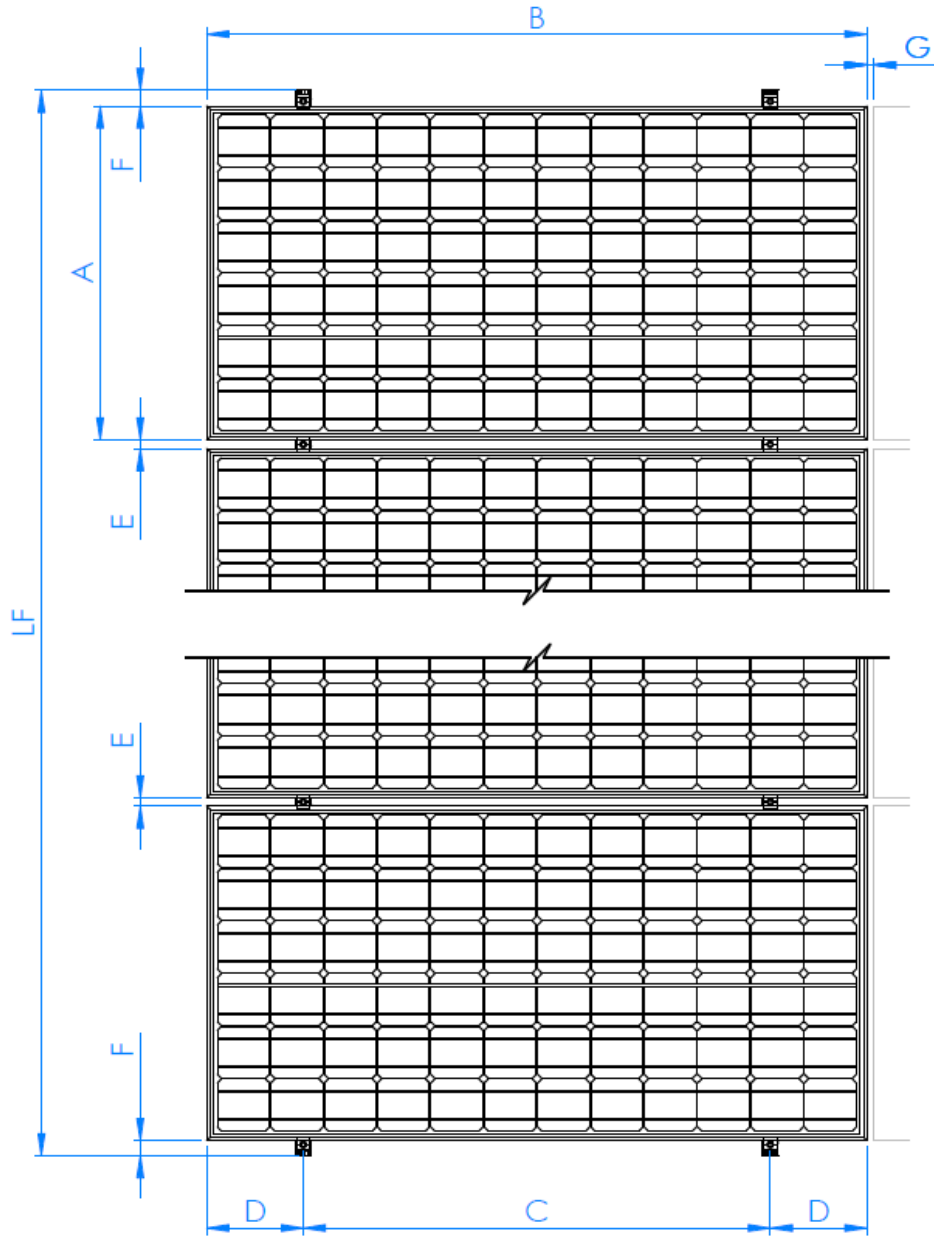
Consult the installation drawing on the roof, where the distribution of the modules is defined as well as the structures that support them and their fixing points.

A. Plan view of SC-PSE system with vertical module orientation (portrait type).



C	D	E (mm)	F (mm)	G (mm)	LF
$0,7B \geq C \geq 0,5B$	$(B-C) / 2$	26	min 36	min 20	$(n*B) + ((n-1) *E) + (2*F)$
C: Consult the module manufacturer's recommendation					
n: number of modules in the row					

B. Plan view of SC-PSE system with horizontal module orientation (landscape type).

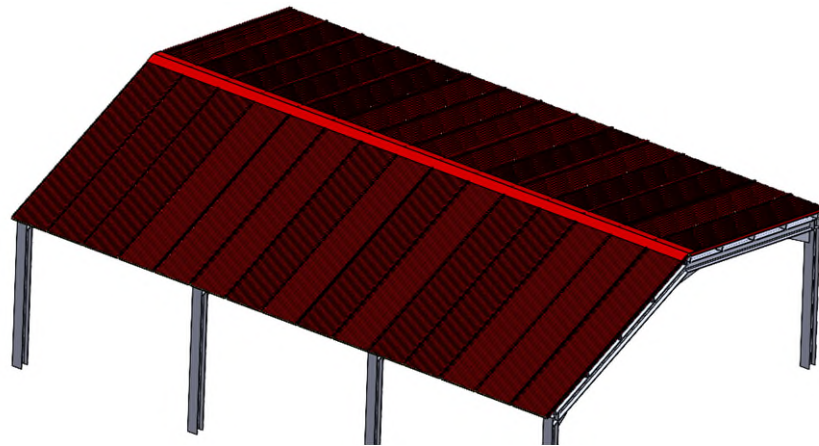


C	D	E (mm)	F (mm)	G (mm)	LF
$0,7B \geq C \geq 0,5B$	$(B-C) / 2$	26	min 35	min 20	$(n*B) + ((n-1)*E) + (2*F)$
C: Consult the module manufacturer’s recommendations.					
n: number of modules in the row.					

The type of fixing system and the location of its installation points shall be adapted to the needs of the supporting structures and at the same time to the needs of the roofs where they must be installed.

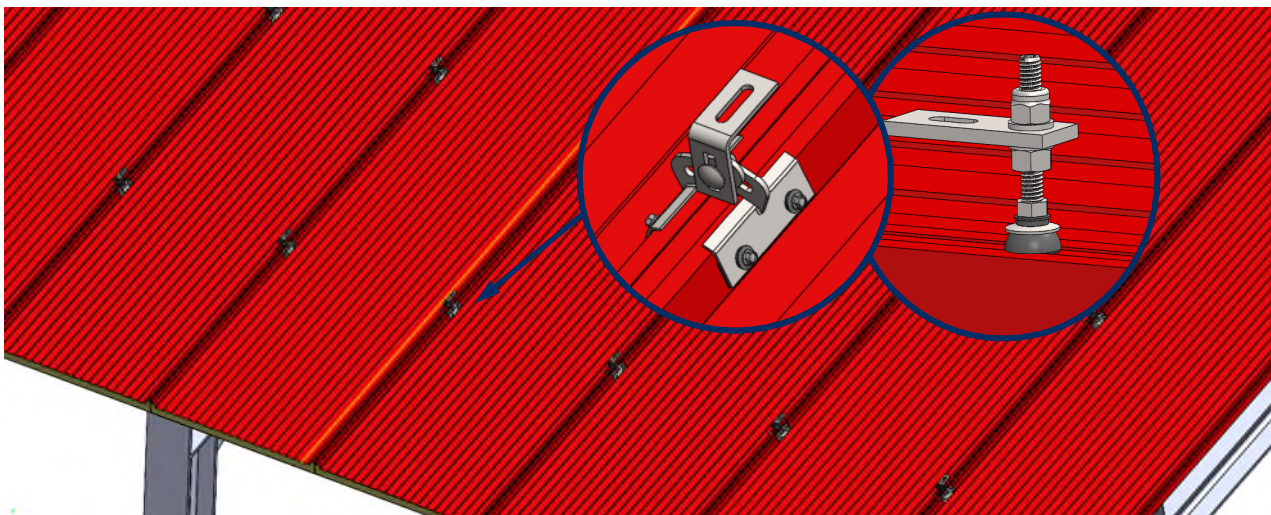
STEP 2.- Perform layout on the roof






Lay out on the roof the fixing points of each structure, checking the viability of the installation of each one depending on the chosen fixing system and the characteristics of the roof.



STEP 3.- Install the fixing

Install the fixings in accordance with the installation instructions contained in the respective data sheets.

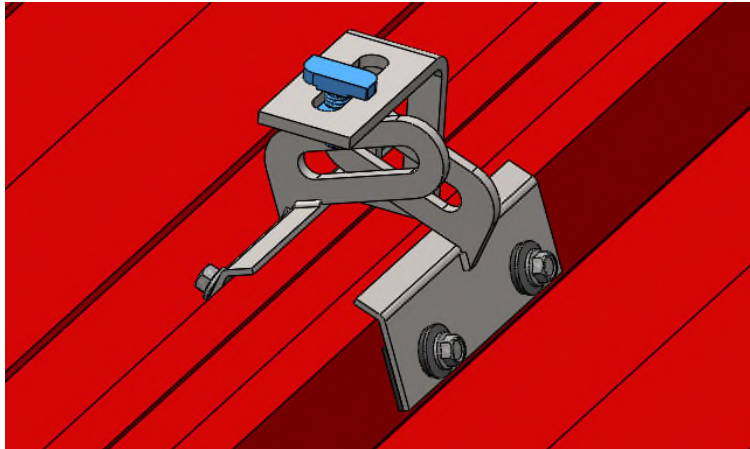


 <p>PMD Plate for double threaded screw</p> <p>Technical Data Sheet</p>	 <p>KFS-RV Threaded rod for chemical anchor installation.</p> <p>Technical Data Sheet</p>	 <p>KFS-MA Threaded rod for chemical anchor installation.</p> <p>Technical Data Sheet</p>	 <p>KFS-AU Kit tornillo doble rosca metal</p> <p>Technical Data Sheet</p>	 <p>STR Adjustable support for trapezoidal roof.</p> <p>Technical Data Sheet</p>
---	---	---	---	--

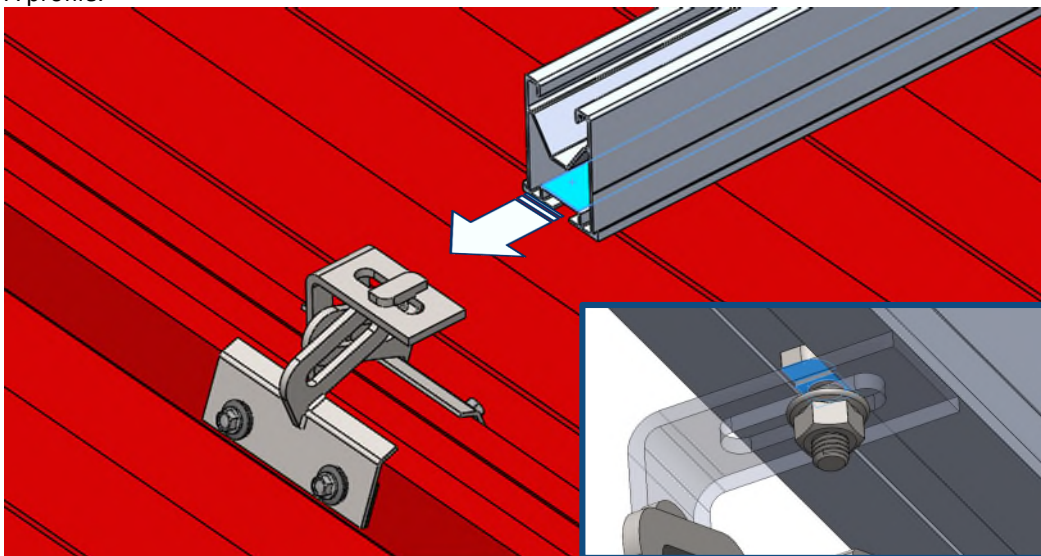
* In the following steps, the installation is explained independently of the selected roof fixing. It is therefore only shown with a fixing example.

STEP 4.- Installation of the profiles on the fixings

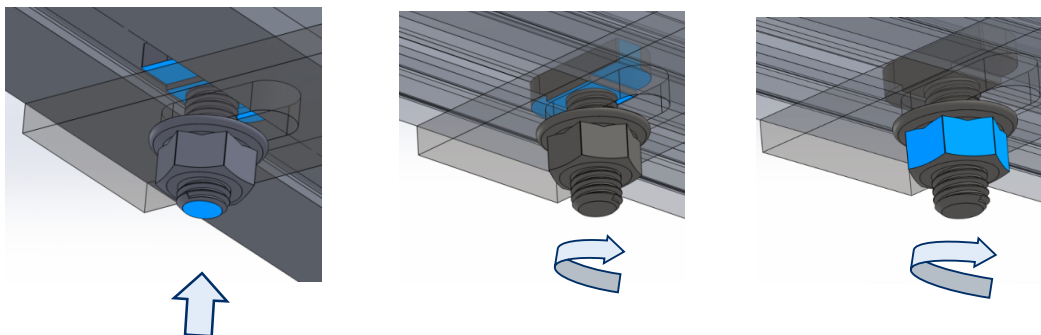
- C. Manually mount the KFS-FI connectors on the fixings, orienting the head of the connectors in the same longitudinal direction in which the PSE-A profiles are installed.



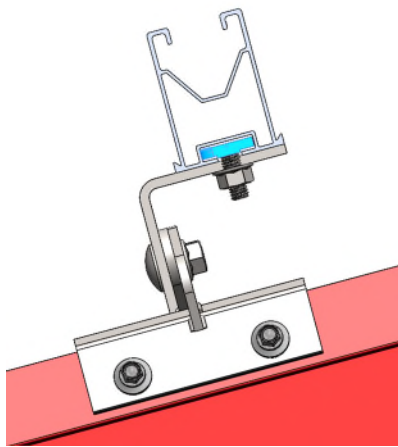
- D. Support the PSE-A profile on the fixing by inserting the head of the KFS-FI connector into the side groove of the PSE-A profile.



- E. Lift the KFS-FI connector and turn its head into the slot until it locks, while manually screwing the lower nut of the connector.



- F. Check that the head of the KFS-FI connector is oriented perpendicular to the groove of the PSE-A profile and the square neck of the connector is correctly fitted into the edge of the groove.

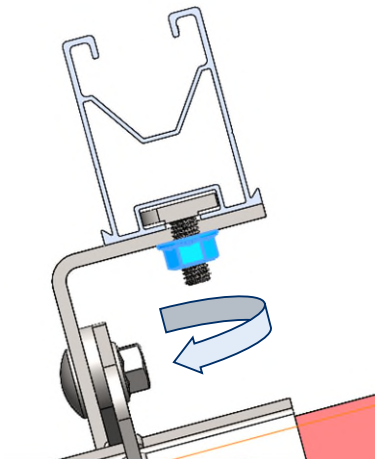


! To ensure that the head of the KFS-FI connector is oriented perpendicular to the profile, there is a mark at the base of the screw. This mark indicates the final position of the head, so it **must be perpendicular to the profile at the end of the installation. The mark must never be parallel to the profile or inclined once it has been screwed in.**

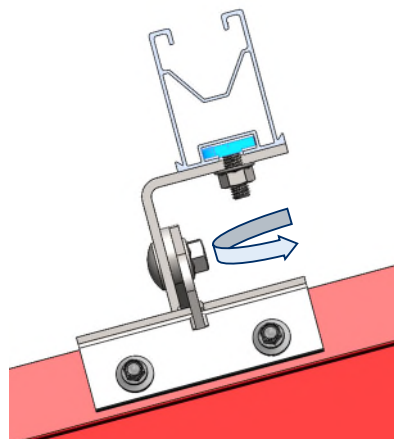
START

END

- G. To adjust the position of the PSE-A profile, the KFS-FI connectors can be loosened. By keeping the square neck of the connector locked on the edge of the profile groove, we prevent the head from turning inside the groove when loosening the connector nut.

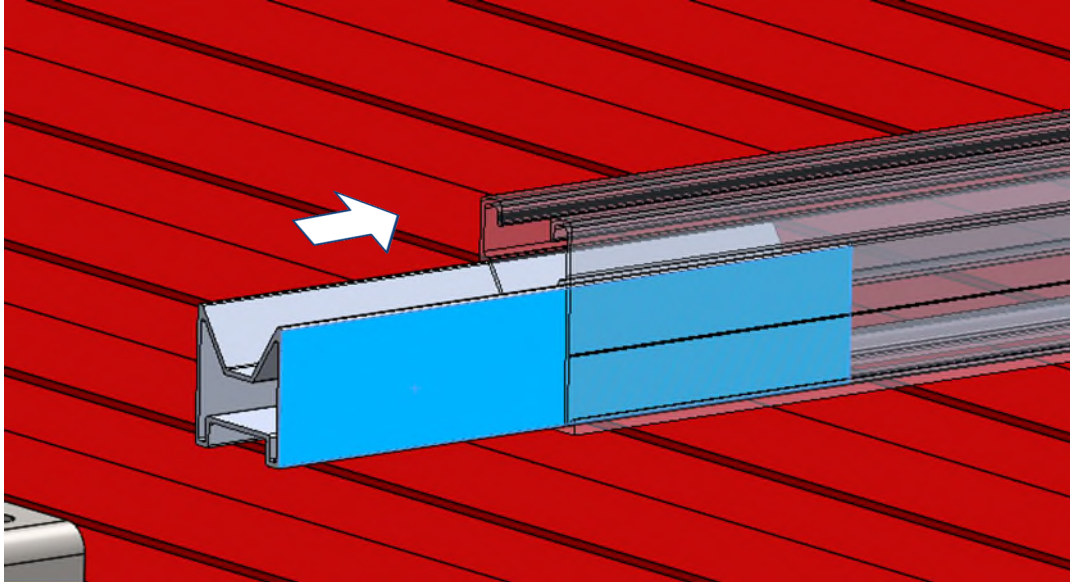


- H. To finally fix the PSE-A profile, check that the head of the KFS-FI connector is correctly aligned and tighten to a maximum torque of 15 Nm using a SW-13 hexagon spanner.

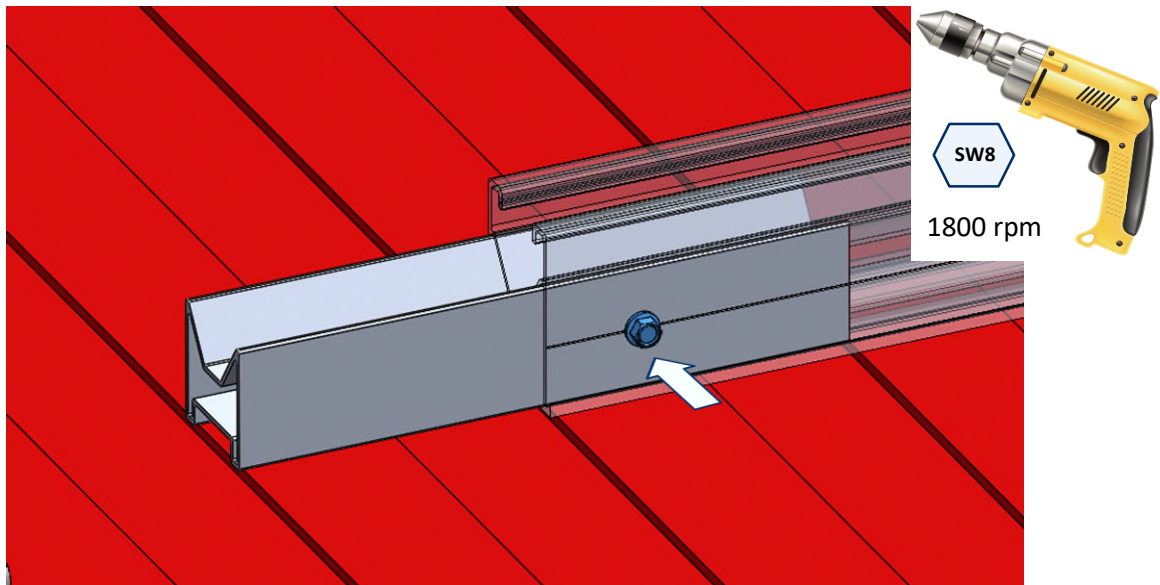


STEP 5.- Longitudinal connection between profiles

- A.** Assemble the PSE-UN joint by inserting half of the length into one of the two PSE-A profiles.

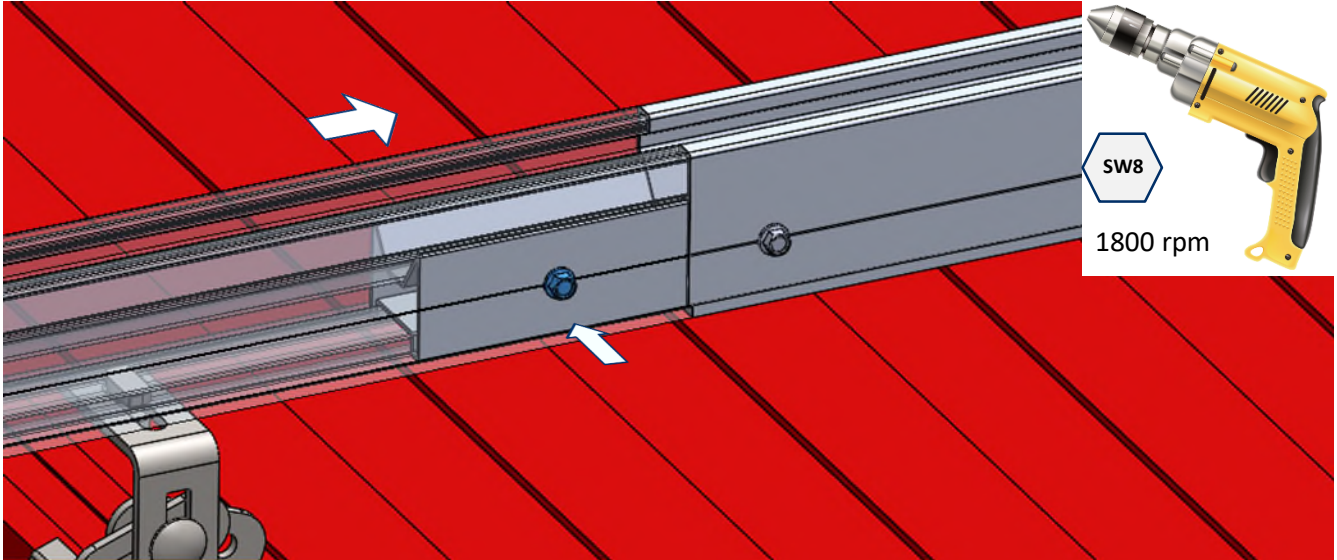


- B.** Fix the PSE-UN joint to the first PSE-A profile by installing 2 self-drilling stainless steel screws ABEI5519. The screws must be installed in the lateral part of the profile, at a distance between 50 and 70mm from the end of the profile. For the installation of the ABEI5519 screws an electric screwdriver equipped with hexagon socket SW-8 is required, an installation speed of 1800 rpm is recommended.

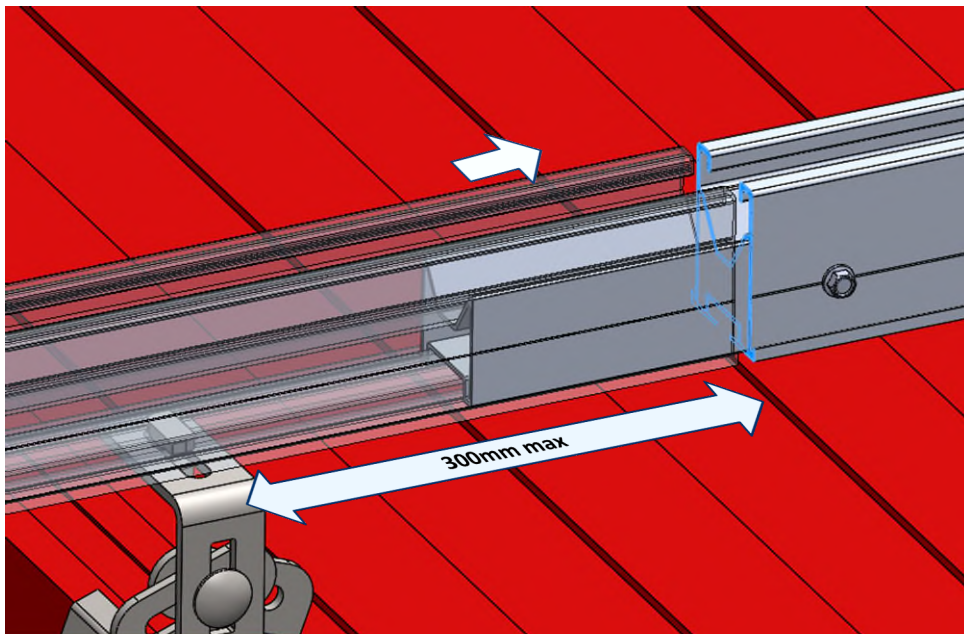


C. Insert the free end of the PSE-UN connector into the second PSE-A profile.

- **Option 1**, if a rigid connection is required: Insert the protruding part of the PSE-UN connection into the second PSE-A profile until it butts against the first profile, and then fix the connection to this second profile by installing 2 self-drilling stainless steel screws ABEI5519, as previously carried out on the first profile.



- **Option 2**, If a connection acting as an expansion joint is required: Insert the protruding part of the PSE-A joint PSE-CUN into the second PSE-A profile, leaving a gap between the ends of the two profiles of between 4 and 6 mm, in this case the screws are not installed to allow longitudinal displacements between the two profiles.



Is recommended for this type of connection a maximum distance to the nearest fixing point of 300 mm

STEP 6.- Pre-installation of clamps on the profiles

PASO 5.- C

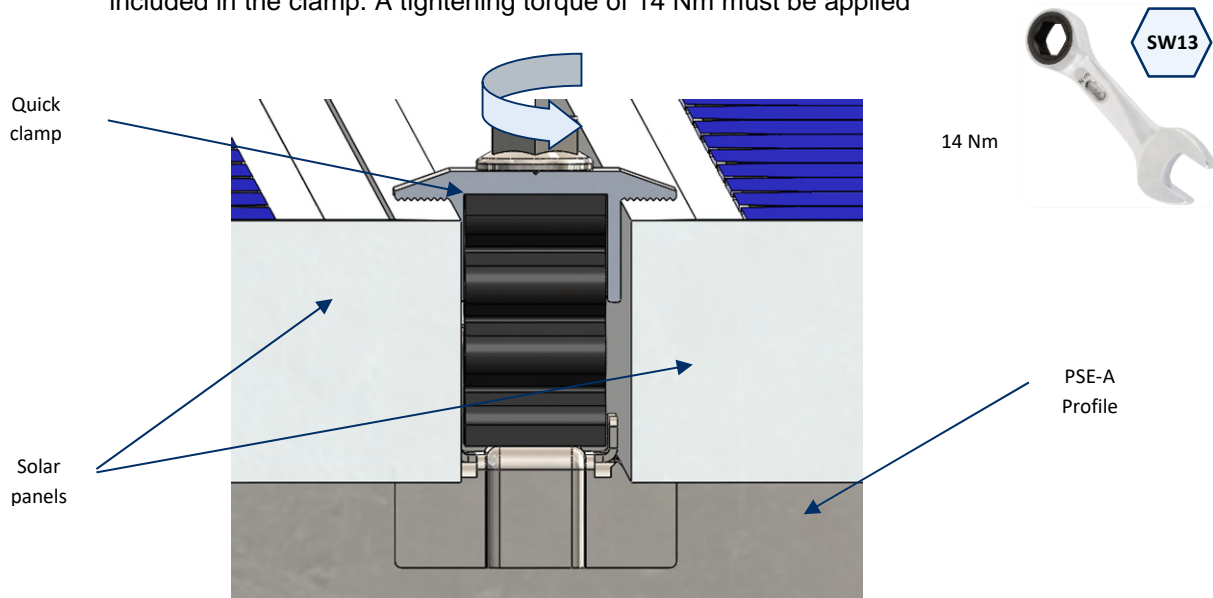
To mount the clamp on the profiles, the following steps are necessary:

<p>1. Place the clamp in the profile with the lower nut parallel to the profile.</p>	<p>2. To fix the clamp to the profile, the lower nut must be turned perpendicular to the profile by means of the screw, the screw head is pressed down and turned. The nut has a serrated rail to secure the fixing.</p>	<p>3. Insert the corresponding elements, two panels in the case of an intermediate clamp, or a panel and a gauge in the case of a lateral clamp.</p>	<p>4. To fix the inserted elements it is necessary to turn the screw until they meet the profile. Check that the lower nut remains perpendicular to the profile.</p>

Type of clamp depending on its position:

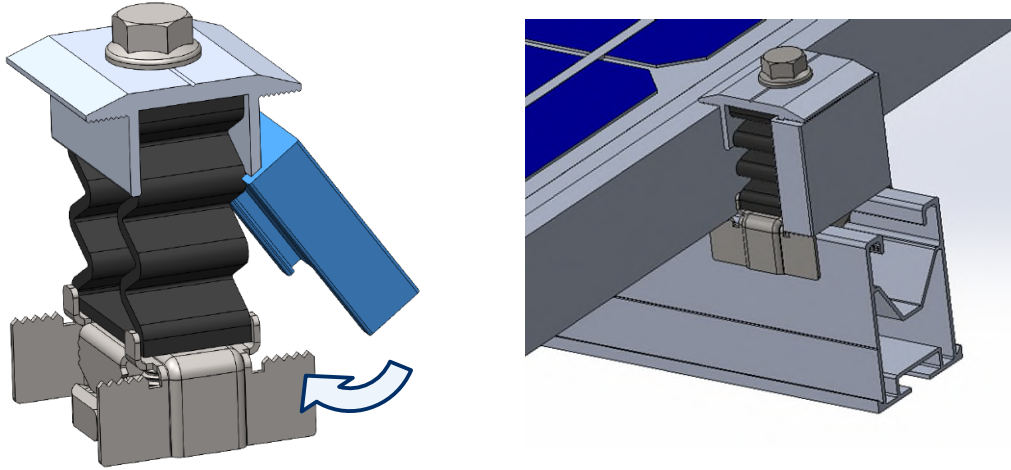
A. Intermediate clamp

The intermediate clamp is used when passing from one module to another within the same row, fixing both panels to the structure. This assembly is carried out by means of the screw included in the clamp. A tightening torque of 14 Nm must be applied



B. Lateral clamp

- Prepare 4 KFRSC3050 quick fixing clamps to be mounted at the ends of each row of panels. Each of these clamps is fitted with a GM-A gauge, mounted as shown in the figure:



The chosen gauge size must be equal to the frame height of the solar panels to be installed.