

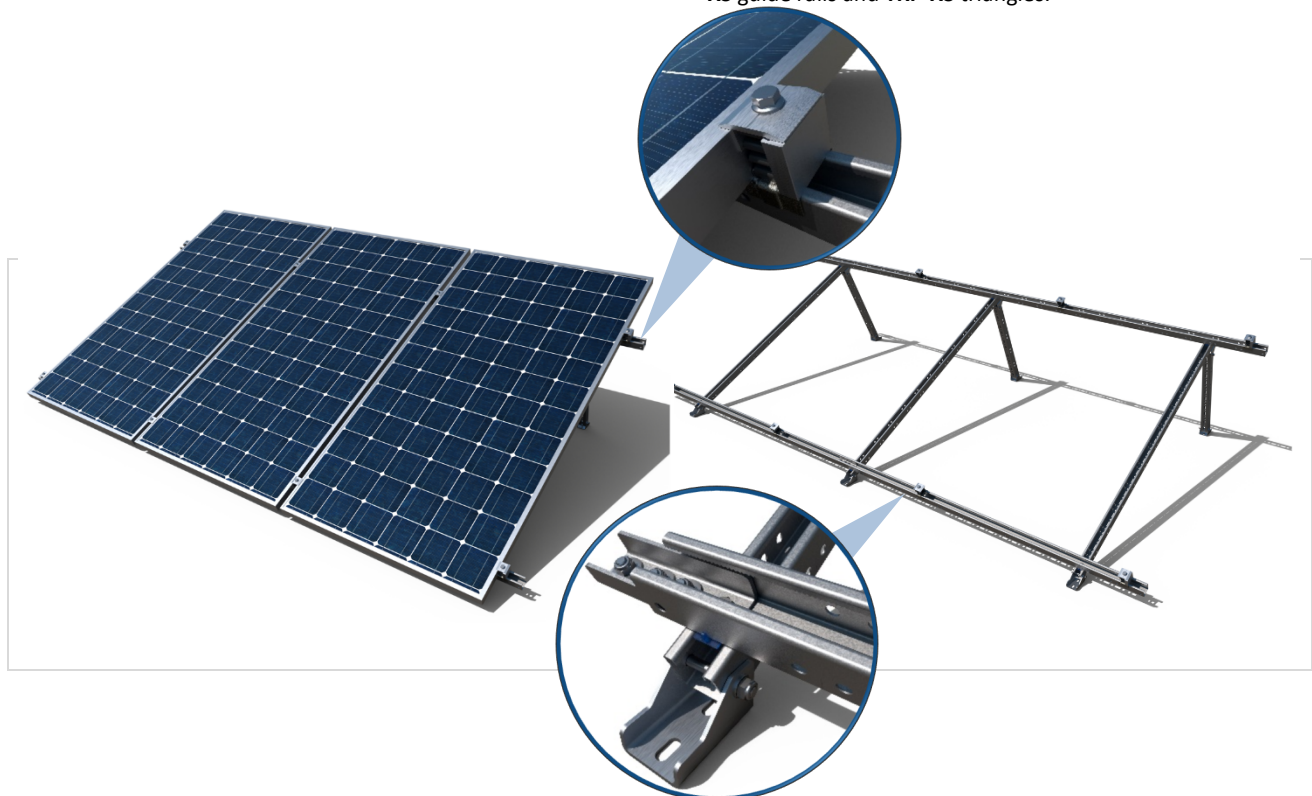
KT-GPX

PRODUCT DESCRIPTION

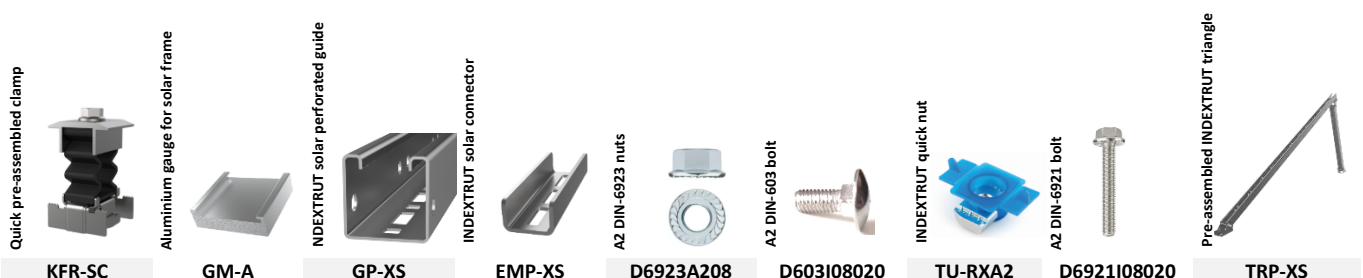
Triangular kit with perforated Steel channel Atlantis C4-M INDEXTRUT Solar (GP-XS).

CHARACTERISTICS

- Assembly kit containing the components necessary for the installation of a determined number of solar panels.
- Installation based on **ST-GPX** triangular mounting system.
- Includes quick fixing clamps **KFRSC3050** for panels.
- Includes **GM-A**, gauges for heights of 30, 35 and 40mm.
- Includes **GP-XS** perforated guide rail structure in continuous format.
- Includes **EMPXS4115** guide rail connector with A2 **DIN-6923** nuts and **DIN-6921** bolts for installation.
- Includes **TRP-XS** pre-assembled triangles with three inclination options - 25°, 30° y 35°.
- Includes **6921I08020** bolts and **TURXA208** quick nuts to join **GP-XS** guide rails and **TRP-XS** triangles.



COMPONENTS



APPLICATIONS

- Assembly of solar panels that are inclined with respect to the roof surface on flat and slightly sloping roof.
- Installation on all roof types on pre-assembled triangles with three inclination options - 25°, 30° y 35°.
- For panels with 30, 35 o 40 mm-high frames.
- For plate sizes up to 1150 mm wide
- Portrait view (vertical) orientation panel assembly.
- Options included direct assembly to the roof sub-structure or mounting on an auxiliary structure – consult specifications on the **ST-GPX** assembly system technical data sheet.

1.RANGE

ITEM	CODE	PHOTO	DESCRIPTION	PANELS	FRAME	LENGTH ROW	MATERIALS			
1	KTGPX0230		Triangular kit with perforated steel channel Atlantis C4-M INDEXTRUT Solar (GP-XS). For two panels	2	30 mm	2500 mm				
	2			35 mm	2500 mm					
	2			40 mm	2500 mm					
2	KTGPX0330		Triangular kit with perforated steel channel Atlantis C4-M INDEXTRUT Solar (GP-XS). For three panels.	3	30 mm	3750 mm				
	3			35 mm	3750 mm					
	3			40 mm	3750mm					
3	KTGPX02AM		Triangular kit with perforated steel channel Atlantis C4-M INDEXTRUT Solar (GP-XS). For enlargement two panels	2	--	2500 mm				
	KTGPX03AM		Triangular kit with perforated steel channel Atlantis C4-M INDEXTRUT Solar (GP-XS). For enlargement three panels.	3	--	3750 mm				

2. INSTALLATION INFORMATION

2.1 KTGPX02

Triangular kit with perforated steel channel Atlantis C4-M INDEXTRUT Solar (GP-XS). For two panels



Two panels Reference number	Component Kit									
	Quick pre-assembled clamp	Aluminium gauge for solar frame	INDEXTRUT solar perforated guide	INDEXTRUT solar connector	A2 DIN-603 bolt	A2 DIN-6923 nut	INDEXTRUT quick nut	A2 DIN-6921 bolt	P-re-assembled INDEXTRUT triangle	
KTGPX0230 (H=30mm)	KFRSC3050 6 units	GMA030 4 units	GPXS4115125 4 units	EMPXS4115 2 units	D603I08020 8 units	D6923IM08 8 units	TURXA208 4 units	6921I08020 4 units	TRPXS412515 2 units	
KTGPX0235 (H=35mm)	KFRSC3050 6 units	GMA035 4 units	GPXS4115125 4 units	EMPXS4115 2 units	D603I08020 8 units	D6923IM08 8 units	TURXA208 4 units	6921I08020 4 units	TRPXS412515 2 units	
KTGPX0240 (H=40mm)	KFRSC3050 6 units	GMA040 4 units	GPXS4115125 4 units	EMPXS4115 2 units	D603I08020 8 units	D6923IM08 8 units	TURXA208 4 units	6921I08020 4 units	TRPXS412515 2 units	

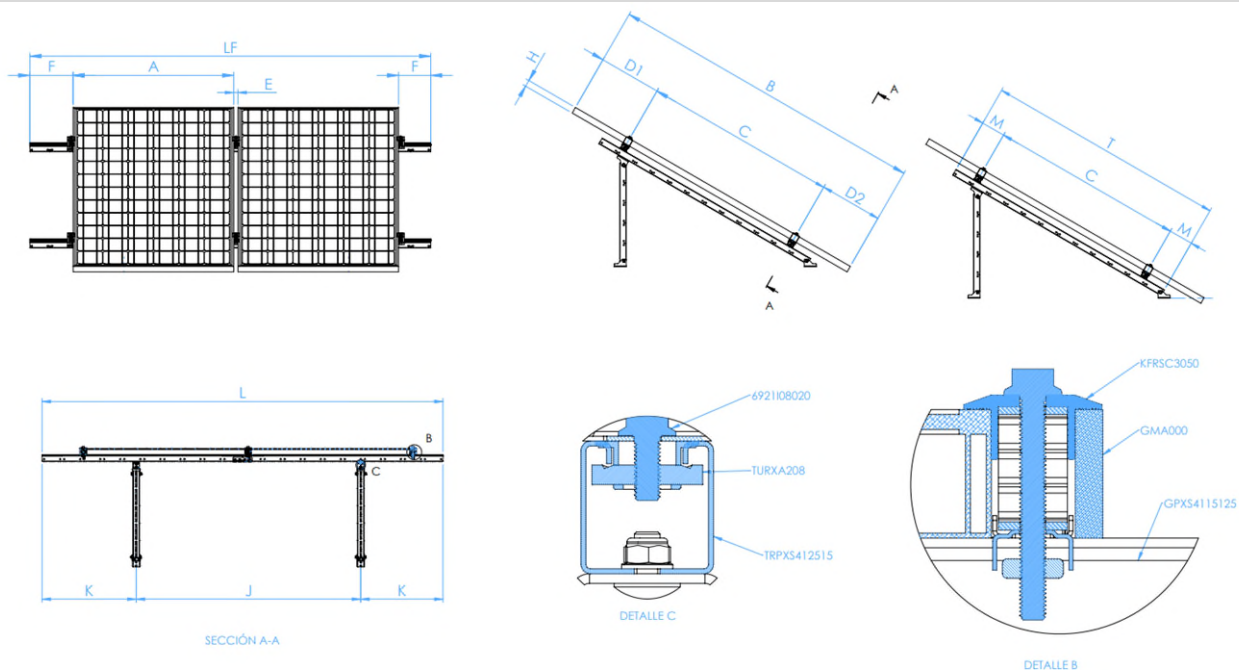
Roof / Fixing accessories

Consult technical data sheet corresponding to the ST-GPX assembly system.

Measurement table

Code	A (mm)	B (mm)	C (mm)	D (mm)	E (mm)	F (mm)	H (mm)	J (mm)	K (mm)	L (mm)	LF (mm)	M (mm)	T (mm)
KTGPX0230	≤ 1150	≤ 2100	0,5B ÷ 0,7B	0,1B ÷ 0,25B	26	≥ 35	30	1400 ÷ 1600	(LF-J) / 2	1250	2500	(T-C) / 2	1500
KTGPX0235	≤ 1150	≤ 2100	0,5B ÷ 0,7B	0,1B ÷ 0,25B	26	≥ 35	35	1400 ÷ 1600	(LF-J) / 2	1250	2500	(T-C) / 2	1500
KTGPX0240	≤ 1150	≤ 2100	0,5B ÷ 0,7B	0,1B ÷ 0,25B	26	≥ 35	40	1400 ÷ 1600	(LF-J) / 2	1250	2500	(T-C) / 2	1500

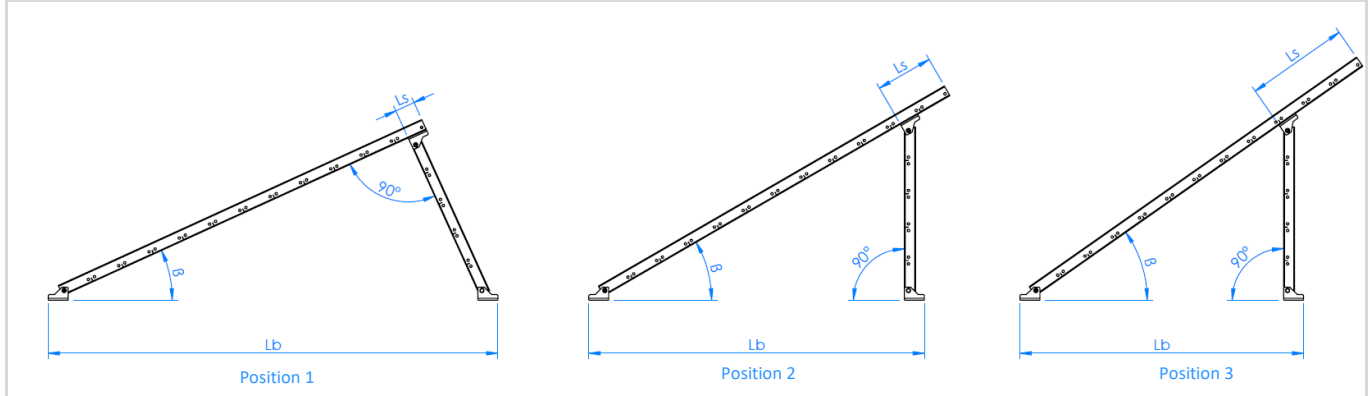
Drawing



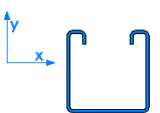
Measurement table 2

Code	Position 1			Position 2			Position 3		
	β (°)	Ls (mm)	Lb (mm)	β (°)	Ls (mm)	Lb (mm)	β (°)	Ls (mm)	Lb (mm)
TRPXS412515	25	75	1689	30	215	1260	35	384	1065

Drawing



Mechanical properties of the guide rail.

	Area S (cm ²)	Moment of inertia I _x (cm ⁴)	Moment of inertia I _y (cm ⁴)	Section modulus W _x (cm ³)	Section modulus W _y (cm ³)	Linear weight W (kg/m)
 GP-XS	2,13	4,98	6,13	2,18	2,99	1,67

2.2 KTGPX03

Triangular kit with perforated steel channel Atlantis C4-M INDEXTRUT Solar (GP-XS). For three panels



Reference number	Component Kit								
	Quick pre-assembled clamp	Aluminium gauge for solar frame	INDEXTRUT solar perforated guide	INDEXTRUT solar connector	A2 DIN-603 bolt	A2 DIN-6923 nut	INDEXTRUT quick nut	A2 DIN-6921 bolt	Pre-assembled INDEXTRUT triangle
KTGPX0330 (H=30mm)	KFRSC3050 8 units	GMA030 4 units	GPXS4115187 4 units	EMPXS4115 2 units	D603I08020 8 units	D6923IM08 8 units	TURXA208 6 units	6921I08020 6 units	TRPX5412515 3 units
KTGPX0335 (H=35mm)	KFRSC3050 8 units	GMA035 4 units	GPXS4115187 4 units	EMPXS4115 2 units	D603I08020 8 units	D6923IM08 8 units	TURXA208 6 units	6921I08020 6 units	TRPX5412515 3 units
KTGPX0340 (H=40mm)	KFRSC3050 8 units	GMA040 4 units	GPXS4115187 4 units	EMPXS4115 2 units	D603I08020 8 units	D6923IM08 8 units	TURXA208 6 units	6921I08020 6 units	TRPX5412515 3 units

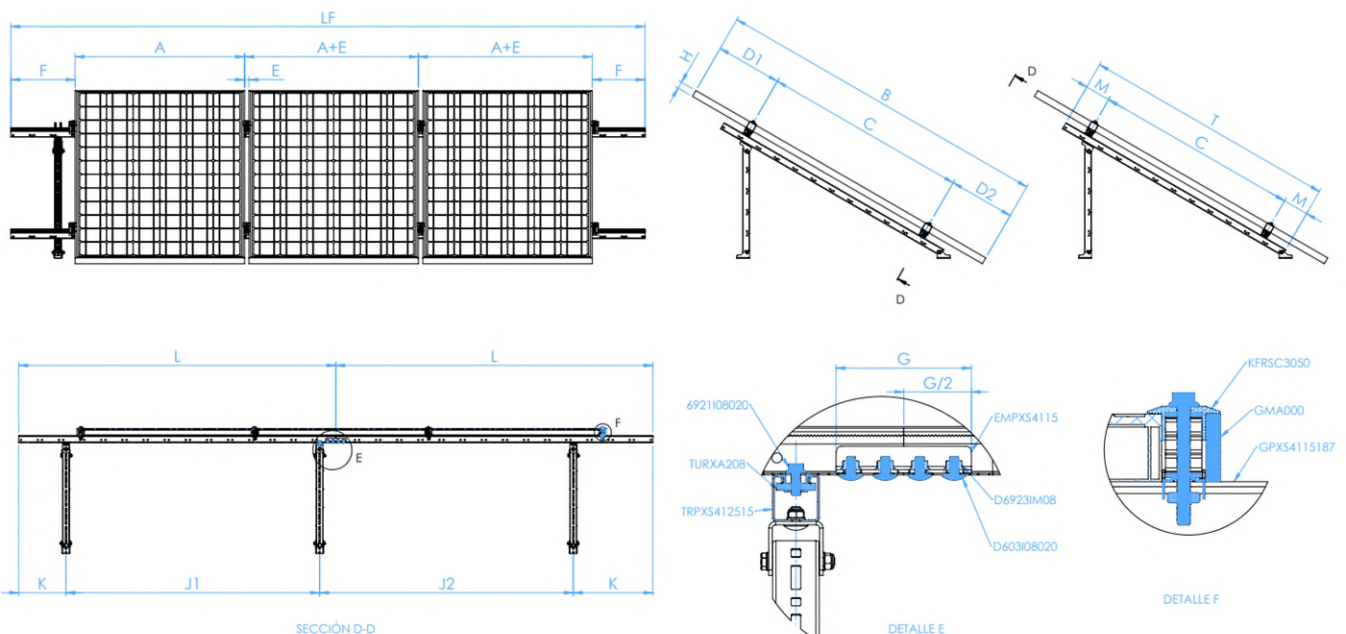
Roof/Fixing accessories

Consult technical data sheet corresponding to the ST-GPX assembly system

Measurement table

Code	A (mm)	B (mm)	C (mm)	D (mm)	E (mm)	F (mm)	G (mm)	H (mm)	J (mm)	K (mm)	L (mm)	LF (mm)	M (mm)	N (mm)	T (mm)
KTGPX0330	≤ 1150	≤ 2100	0,5B ÷ 0,7B	0,1B ÷ 0,25B	26	≥ 35	120	30	1300÷1500	(LF-J1-J2) / 2	1875	3750	(T-C) / 2	45	1500
KTGPX0335	≤ 1150	≤ 2100	0,5B ÷ 0,7B	0,1B ÷ 0,25B	26	≥ 35	120	35	1300÷1500	(LF-J1-J2) / 2	1875	3750	(T-C) / 2	45	1500
KTGPX0340	≤ 1150	≤ 2100	0,5B ÷ 0,7B	0,1B ÷ 0,25B	26	≥ 35	120	40	1300÷1500	(LF-J1-J2) / 2	1875	3750	(T-C) / 2	45	1500

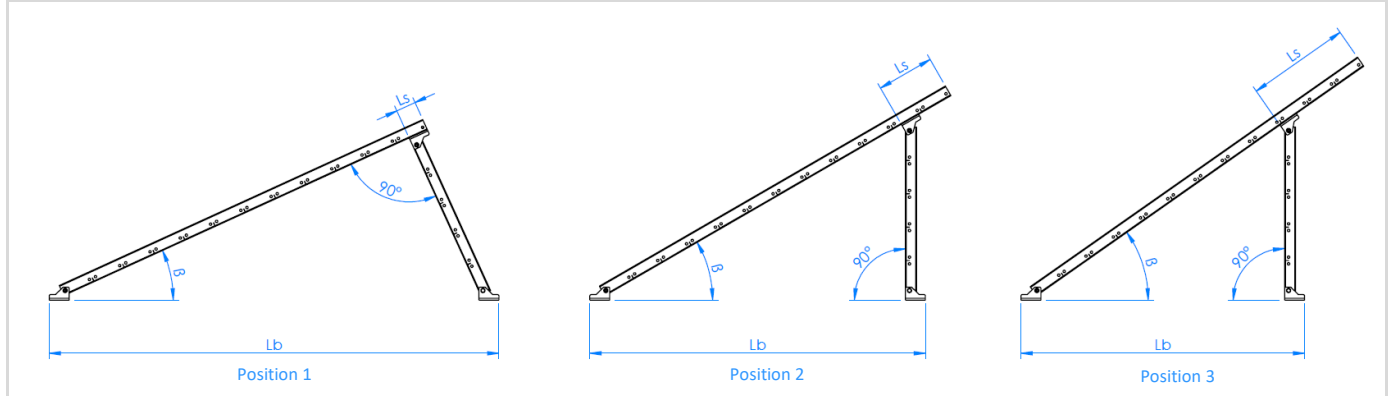
Drawing



Measurement table 2

Code	Position 1			Position 2			Position 3		
	β (°)	Ls (mm)	Lb (mm)	β (°)	Ls (mm)	Lb (mm)	β (°)	Ls (mm)	Lb (mm)
TRPXS412515	25	75	1689	30	215	1260	35	384	1065

Drawing

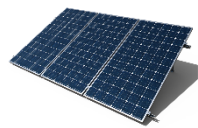


Mechanical properties of the guide rail.

	Area S (cm ²)	Moment of inertia I _x (cm ⁴)	Moment of inertia I _y (cm ⁴)	Section modulus W _x (cm ³)	Section modulus W _y (cm ³)	Linear weight W (kg/m)
 GP-XS	2,13	4,98	6,13	2,18	2,99	1,67

2.2 KTGPXAM

Triangular kit with perforated steel channel Atlantis C4-M INDEXTRUT Solar (GP-XS). Enlargement for 2 and 3panels



2 & 3 panels
Reference number

Component Kit

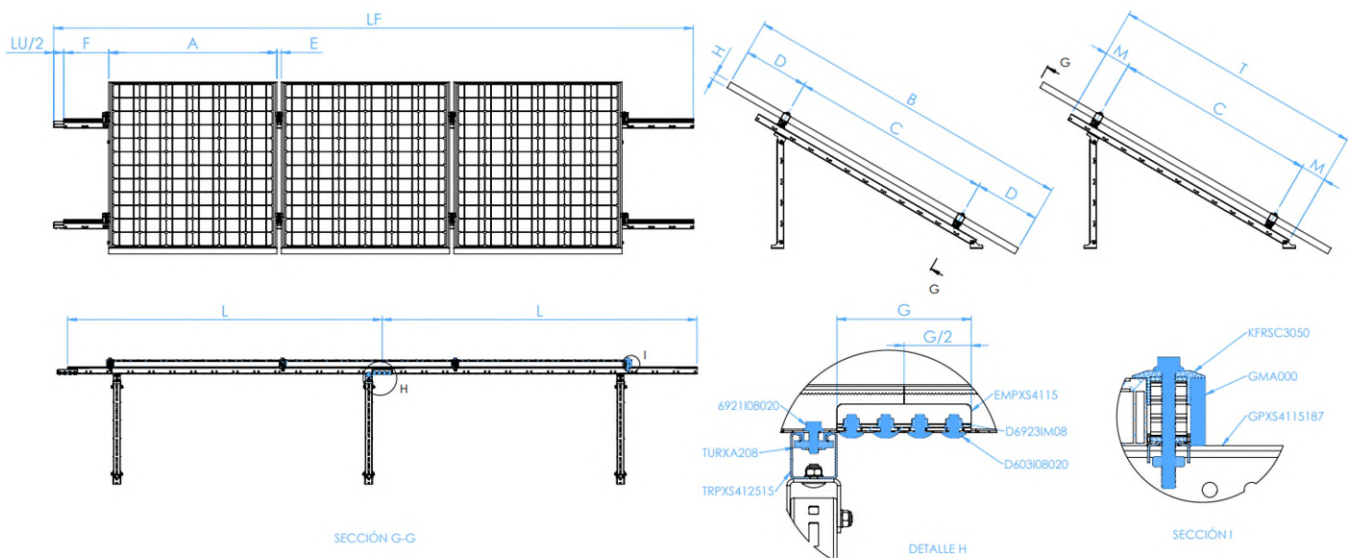
Reference number	Quick pre-assembled clamp	INDEXTRUT solar perforated guide	INDEXTRUT solar connector	A2 DIN-603 bolt	A2 DIN-6923 nut	INDEXTRUT quick nut	A2 DIN-6921 bolt	Preassembled INDEXTRUT triangle
KTGPX02AM	KFRSC3050 4 units	GPXS4115125 4 units	EMPXS4115 4 units	D603I08020 16 units	D6923IM08 16 units	TURXA208 4 units	6921I08020 4 units	TRPXS412515 2 units
KTGPX03AM	KFRSC3050 6 units	GPXS4115187 4 units	EMPXS4115 4 units	D603I08020 16 units	D6923IM08 16 units	TURXA208 6 units	6921I08020 6 units	TRPXS412515 3 units

Roof/fixing accessories

Consult technical data sheet corresponding to the ST-GPX assembly system.

Code	A (mm)	B (mm)	C (mm)	D (mm)	E (mm)	F (mm)	G (mm)	J (mm)	K (mm)	L (mm)	LF (mm)	LU (mm)	M (mm)	T (mm)
KTGPX02AM	≤ 1150	≤ 2100	0,5B ÷ 0,7B	0,1B ÷ 0,25B	26	≥ 35	120	1300÷1500	(LF-J1-J2) / 2	1250	2500	200	(T-C) / 2	1500
KTGPX03AM	≤ 1150	≤ 2100	0,5B ÷ 0,7B	0,1B ÷ 0,25B	26	≥ 35	120	1300÷1500	(LF-J1-J2) / 2	1875	3750	200	(T-C) / 2	1500

Drawing

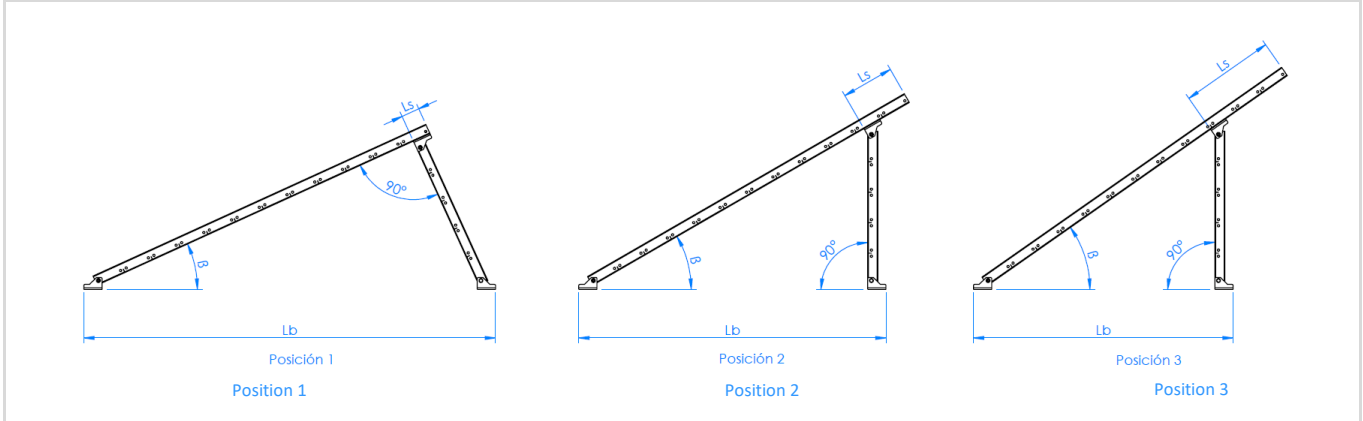


Example of enlargement kit composition 3 panels

Measurement table 2

Code	Position 1			Position 2			Position 3		
	β (°)	Ls (mm)	Lb (mm)	β (°)	Ls (mm)	Lb (mm)	β (°)	Ls (mm)	Lb (mm)
TRPXS412515	25	75	1689	30	215	1260	35	384	1065

Drawing



Mechanical properties of the guide rail

	Area S (cm ²)	Moment of inertia I _x (cm ⁴)	Moment of inertia I _y (cm ⁴)	Section modulus W _x (cm ³)	Section modulus W _y (cm ³)	Linear weight W (kg/m)
 GP-XS	2,13	4,98	6,13	2,18	2,99	1,67