



IPA-GR



IPA-GN



IPA-AR



IPA-TO













IPA-CA

CHARACTERISTICS

- Anchor plugs for hollow bricks and solid materials installations.
- Fast solution for installation without loading requirements.
- Use: fixing in hollow bricks, concrete hollow blocks, drywall, etc

BASE MATERIAL



1. RANGE				
ITEM	CODE	DIMENSIONS	PHOTO	MATERIAL
1	IPA-GR	From M4 x 40 Ø9 to M5 x 45 Ø12		
2	IPA-GN	From M4 x 40 Ø9 to M5 x 45 Ø12		
3	IPA-AR	From M4 x 40 Ø9 to M5 x 45 Ø12		
4	IPA-TO	From M4 x 40 Ø9 to M5 x 45 Ø12		
5	IPA-CA	M4 x 30 Ø9		

2. INSTALLATION DATA

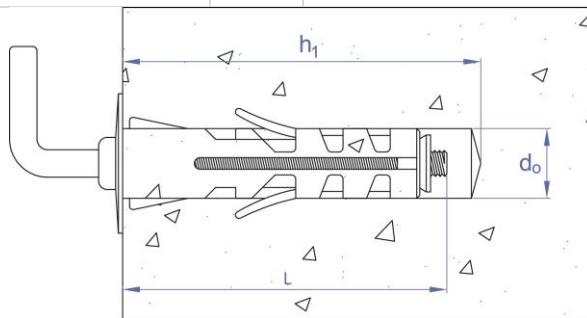
2.1 IPA-GR

Square bend hook



Installation data

CODE		IPAGR09	IPAGR12
Metric	[mm]	M4	M5
L: Length	[mm]	40	47
d ₀ : Ø drill bit	[mm]	Ø9	Ø12
h ₁ : Minimum drill hole depth	[mm]	45	50



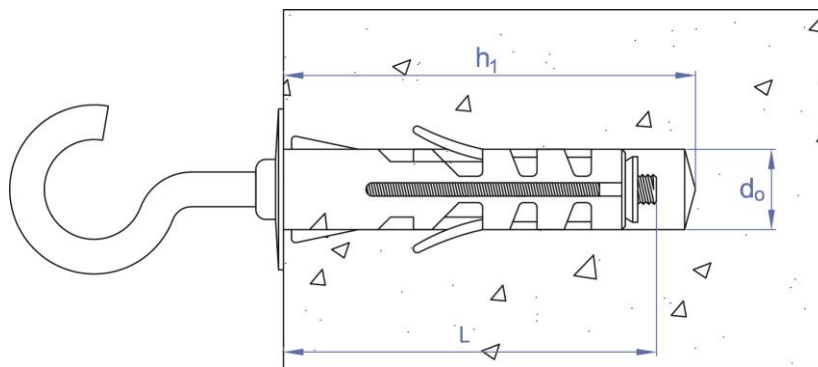
2.2 IPA-GN

Hook



Installation data

CODE		IPAGN09	IPAGN12
Metric	[mm]	M4	M5
L: Length	[mm]	40	47
d _o : Ø drill bit	[mm]	Ø9	Ø12
h ₁ : Minimum drill hole depth	[mm]	45	50



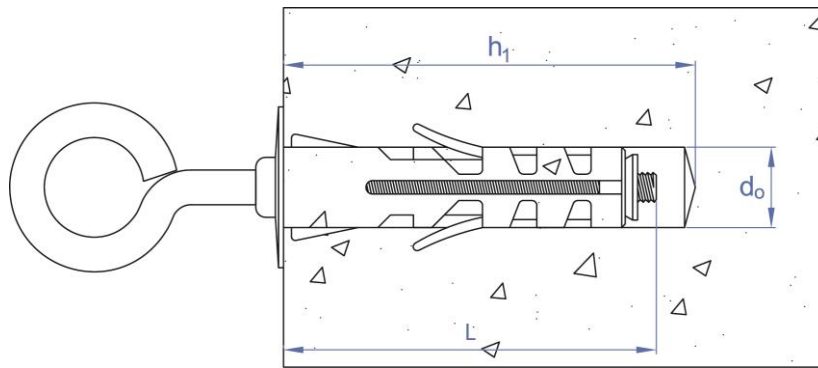
2.3 IPA-AR

Eye bolt



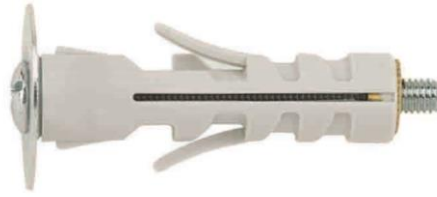
Installation data

CODE		IPAAR09	IPAAR12
Metric	[mm]	M4	M5
L: Length	[mm]	40	47
d _o : Ø drill bit	[mm]	Ø9	Ø12
h ₁ : Minimum drill hole depth	[mm]	45	50



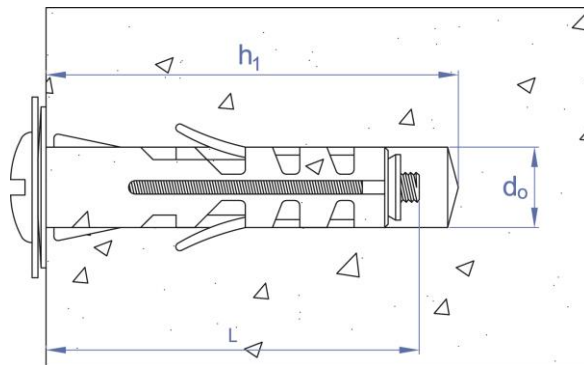
2.4 IPA-TO

Screw



Installation data

CODE		IPATO09	IPATO12
Metric	[mm]	M4	M5
L: Length	[mm]	40	47
d _o : Ø drill bit	[mm]	Ø9	Ø12
h ₁ : Minimum drill hole depth	[mm]	45	50



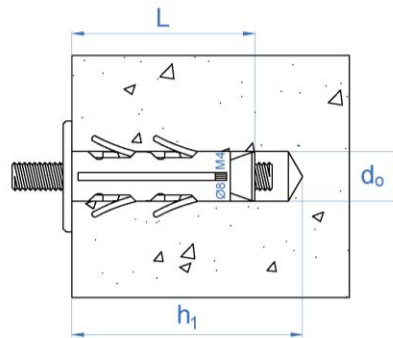
2.5 IPA-CA

Capsule



Installation Data

CODE		IPACA08
Metric	[mm]	M4
L: Length	[mm]	40
d _o : Ø drill bit	[mm]	Ø9
h ₁ : Minimum drill hole depth	[mm]	35



3. MAXIMUM RECOMMENDED LOADS [kg]

ANCHOR CODE	IPAGR09	IPAGR12	IPAGN09	IPAGN12	IPAAR09	IPAAR12	IPATO09	IPATO12	IPACA12
MATERIAL									
UNCRACKED CONCRETE	8	12	8	12	8	12	8	12	8
HOLLOW BRICK	8	12	8	12	8	12	8	12	8