

PSE-A



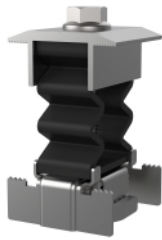
PRODUCT DESCRIPTION

- Aluminium profile for assembled fixing.

CHARACTERISTICS

- Profile for installation of solar panels on roofs.
- Extruded 6063-T6 aluminium alloy profile.
- For outside use.
- Designed for coplanar and triangular assembly systems.
- Assembled, detachable and reusable fixing.
- Side and bottom profile fixing options available.
- Profile height – 60 mm, with high bending resistance.
- General thickness – 1.8 mm.
- Lateral grooves facilitate the drilling of profile joints.
- Central groove compatible with INDEXTRUT accessories.

APPLICATIONS/MOUNTING ACCESSORIES

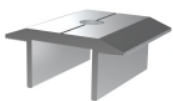


KFRSC3050 / KFRSCN3050

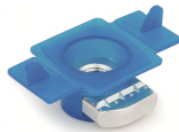
These are used in **triangular and coplanar aluminium installation systems** as structural elements onto which solar panels can be mounted and supported as continuous profiles.

In order to attach solar panels to the profile, one of the following assembly accessories should be used:

1. **KFRSC3050 / KFRSCN3050** "quick pre-assembled clamp".
2. Reference numbers:
 - One **PGSA26 / PGSN26** "simple clamp".
 - One **TURXA208** "INDEXTRUT quick nut".
 - One **6921108070** DIN-6921 M8x70 all-thread bolt.



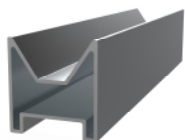
PGSA26 / PGSN26



TURXA208



6921108070



PSEUN6020



ABEI5519

When lengthwise connections are made between profiles, the **PSEUN6020** "connector for aluminium profile for assembled fixing" is used, with the fixing made using stainless steel A2-70 **ABEI5519** "DIN-7504-K self-drilling screws". These screws are easily positioned thanks to the grooves in the sides of the profiles.

FIXING SYSTEM/ASSEMBLY ACCESSORIES

Mounting on adjustable fixing systems/Application example 1

FIXING SYSTEM



PMO

Plate for double threaded screw



GS-TC/GS-TU

Adjustable roof hook for Curved/universal tiles



STR

Adjustable support for trapezoidal roof

ACCESSORIES



KFS-FI

Cross connector for bottom fixing

Mounting on inclined structures/Application example 2

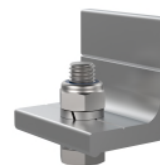
FIXING SYSTEM



TPA-R

Pre-assembled an adjustable aluminium triangle

ACCESSORIES



KFS-FL

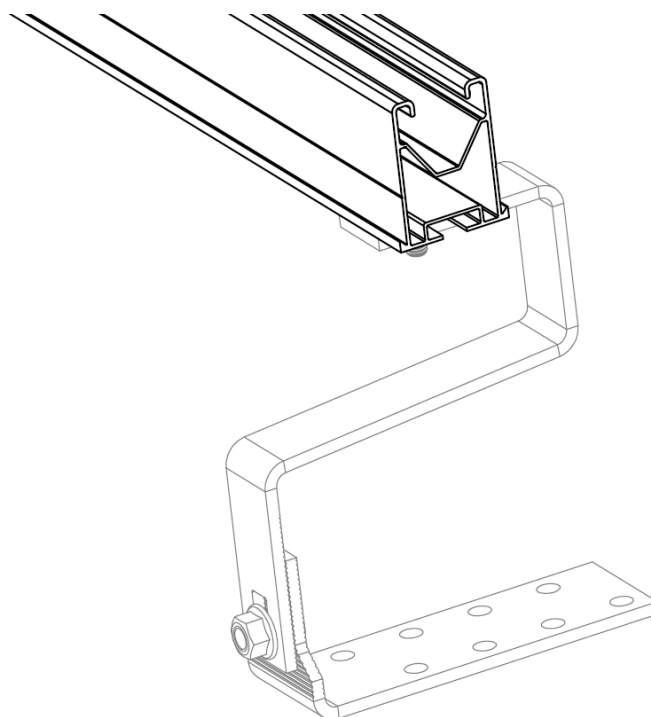
Cross connector for lateral fixing

BASE MATERIAL/FIXING

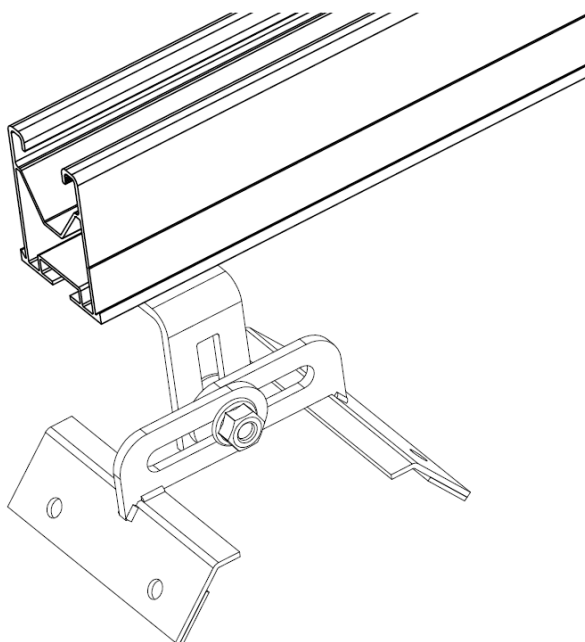
See technical data sheets:

- Coplanar installation system with PSE-A aluminium profile. Assembled fixing (SC-PSE).
- Triangular installation system with PSE-A aluminium profile. Assembled fixing (ST-PSE).

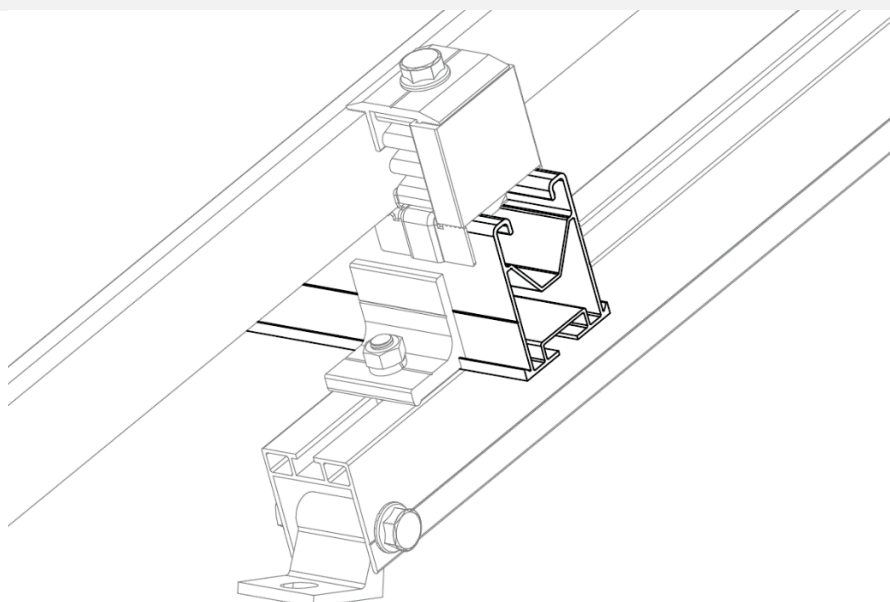
APPLICATION EXAMPLES



Application example 1: mounting on curved/universal tile roof hooks




Application example 2: mounting on adjustable supports for trapezoidal roof profiles.



Application example 3: mounting on adjustable aluminium triangles

1. RANGE














ITEM	CODE	PHOTO	DESCRIPTION	LENGTH	MATERIAL
1	PSEA601250		Aluminium profile for assembled fixing	1250 mm	 6063-T6 aluminium
	PSEA601875			1875 mm	
	PSEA602500			2500 mm	
	PSEA603625			3625 mm	
	PSEA604400			4400 mm	
	PSEA604800			4800 mm	

2. INSTALLATION INFORMATION

2.1 PSE-A

Aluminium profile for assembled fixing.



Material	Assembly accessories		
 6063-T6 aluminium	 KFRSC3050 / KFRSCN3050 Quick pre-assembled clamp	 PSEUN60200 Connector for PSE-A profile	 ABE15519 A2 DIN-7504-K bolt
	 PGSA26 / PGSN26 Simple clamp	 TURXA208 INDETRUT quick nut	 6921108070 A2-70 DIN-6921 stainless steel bolt
Fixing systems		Assembly accessories	
 TPA-R Pre-assembled and adjustable aluminium triangle		 KFS-FL Cross connector for lateral fixing	
 PMO Plate for double threaded screw	 GS-TC/GS-TU Adjustable roof hook for curved/universal tiles	 STR Adjustable support for trapezoidal roof	 KFS-FI Cross connector for bottom fixing

BASE MATERIAL/FIXING

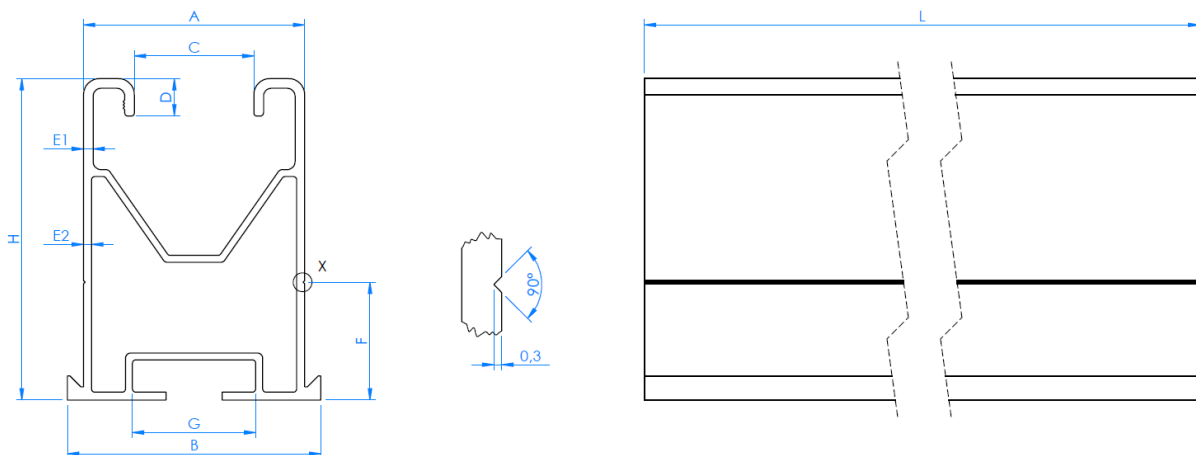
See technical data sheets:

- SC-PSE: Coplanar installation system on aluminium profile for assembled fixing.
- ST-PSE: Triangular installation system on aluminium profile for assembled fixing.

Measurement table

Code	A (mm)	B (mm)	C (mm)	D (mm)	E1 (mm)	E2 (mm)	F (mm)	G (mm)	H (mm)	L (mm)
PSEA601250	41	47	22	7	1,8	1,5	22	23	60	1250
PSEA601875	41	47	22	7	1,8	1,5	22	23	60	1875
PSEA602500	41	47	22	7	1,8	1,5	22	23	60	2500
PSEA603625	41	47	22	7	1,8	1,5	22	23	60	3625
PSEA604400	41	47	22	7	1,8	1,5	22	23	60	4400
PSEA604800	41	47	22	7	1,8	1,5	22	23	60	4800

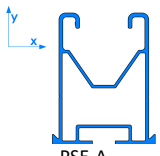
Drawing



Mechanical properties of the material

	Yield strength $F_{y0.2}$ (N/mm ²)	Ultimate load F_u (N/mm ²)	Elastic modulus E (N/mm ²)	Transverse elastic modulus G (N/mm ²)	Linear expansion coefficient α_L ($\mu\text{m}/\text{C}^\circ$)	Specific weight ρ (kg/m ³)
EN AW-6063-T6 aluminium	170	215	69,500	26,100	23.5	2,700

Mechanical properties of the profile.

	Area S (cm ²)	Moment of inertia I_x (cm ⁴)	Moment of inertia I_y (cm ⁴)	Section modulus W_x (cm ³)	Section modulus W_y (cm ³)	Linear weight W (kg/m)
 PSE-A	4.15	16.8	11.3	5.06	4.78	1.12