

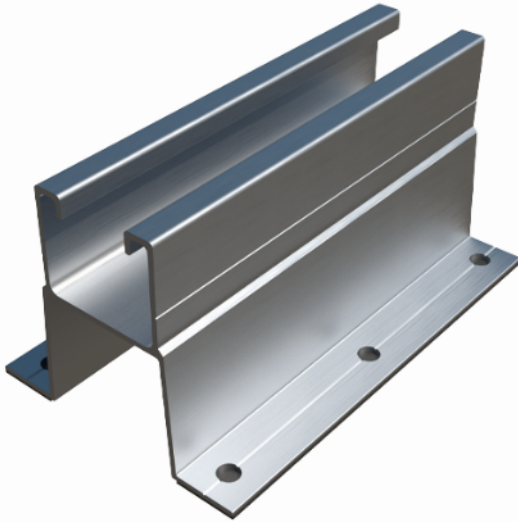
### PSA-AV

### PRODUCT DESCRIPTION

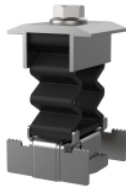
- Winged aluminium profile for direct fixing on valley.

### CHARACTERISTICS

- Profile for installation of solar panels on pitched roofs.
- Extruded profile in aluminium alloy 6005-T6.
- For outside use.
- Designed for coplanar installation systems.
- Assembly of interrupted profiles
- Direct fixing to the valley area between the ribs, on sheet metal roofs and sandwich panels.
- Side wings with six drilled holes for ease of fixing.
- Includes two EPDM adhesive strips below the side wings to facilitate positioning and ensure watertightness.
- Large 90 mm base to ensure a secure fixing.
- 75 mm profile height which exceeds the height of the ribs.
- General thickness – 1.8 mm.
- Central groove compatible with INDEXTRUT accessories.



### ASSEMBLY APPLICATIONS/ACCESSORIES



**KFRSC3050 / KFRSCN3050**

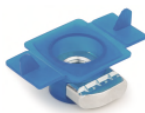
These are used in **aluminium coplanar direct fixing systems in discontinuous profile format**, as structural elements for fixing and supporting solar panels.

In order to attach solar panels to the profile, one of the following assembly accessories should be used:

1. The kit **KFRSC3050 / KFRSCN3050** “quick pre-assembled clamp”.
2. The set of references:
  - One **PGSA26 / PGSN26** “aluminium gauge for solar frame”.
  - One **TURXA208** “INDEXTRUT quick nut. Stainless steel A2.
  - One **6921I08070** “Screw DIN-6921 hexagonal flanged bolt with serrations. Stainless steel A2” size M8x70 all-thread bolt.



**PGSA26 / PGSN26**



**TURXA208**

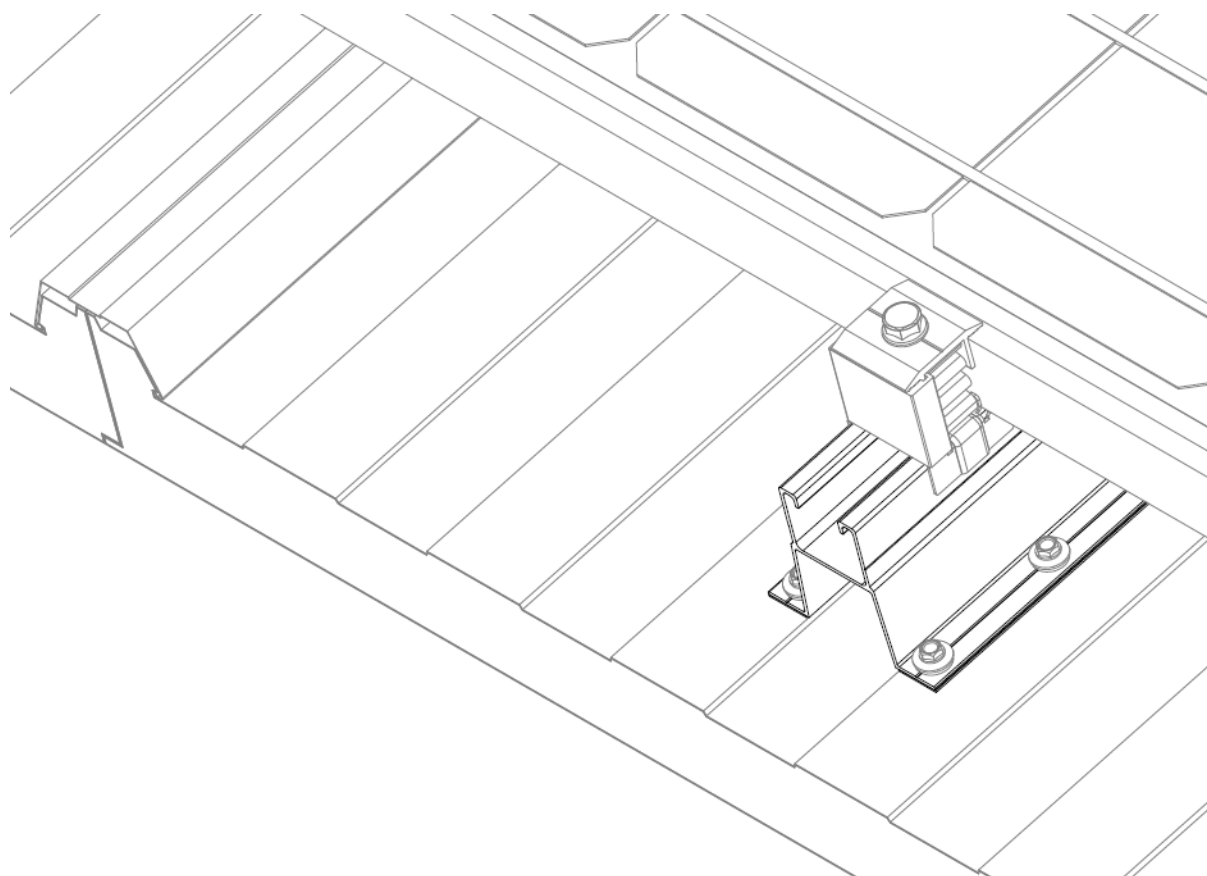


**6921I08070**

### BASE MATERIAL/FIXING ACCESSORIES

BASE MATERIAL			FIXING ACCESSORIES		
	Sandwich panel	Metal sheet		TAC-N/TAC-B Atlantis/Bimetal thin sheet screw	AUENI Self-tapping screw

### APPLICATION EXAMPLES



Application example 1: Direct fixing by thin sheet screws to a 2-ribs sandwich panel with flashing.

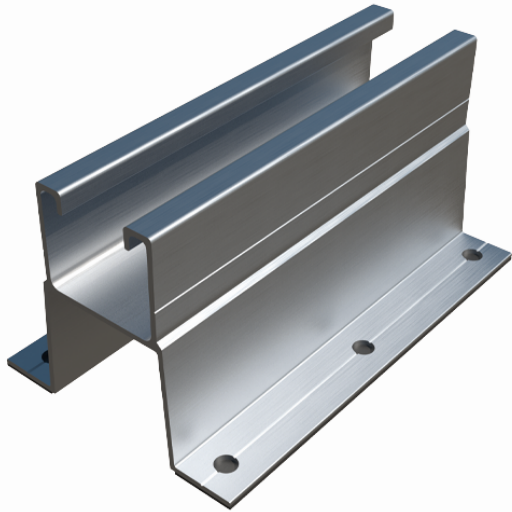
## 1. RANGE

ITEM	CODE	PHOTO	DESCRIPTION	LENGTH	MATERIAL
1	PSAAV0150		Winged aluminium profile for direct fixing on valley.	150 mm	 6005-T6 aluminium

## 2. INSTALLATION INFORMATION

### 2.1 PSA-AV

### Winged aluminium profile for direct fixing on valley

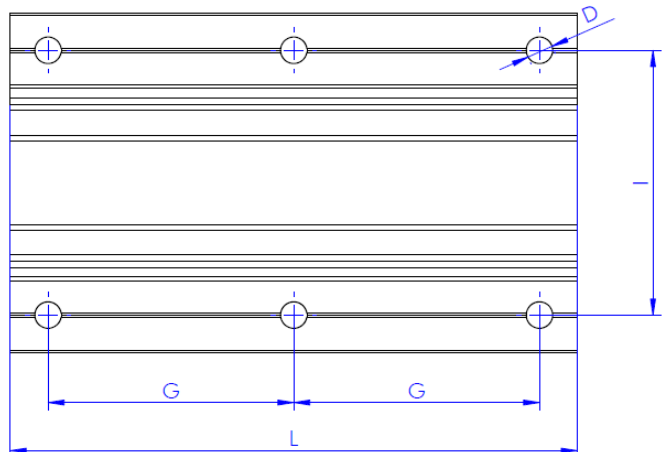
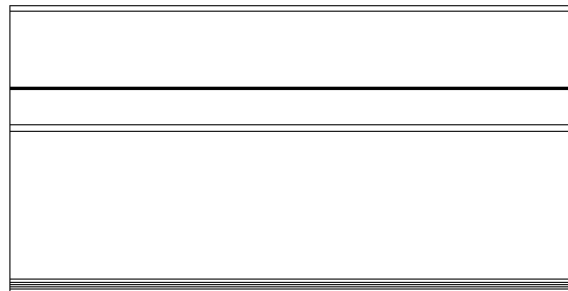
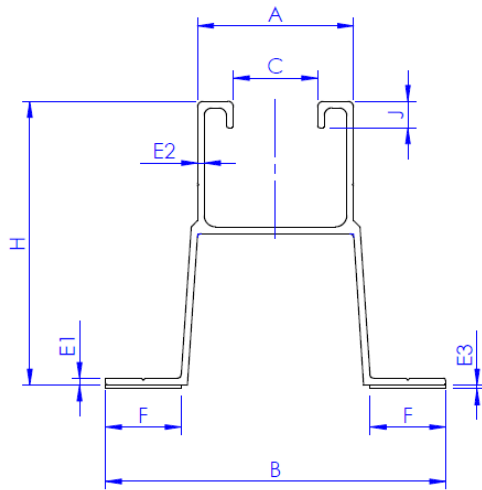


Material	Assembly accessories		
 6005-T6 aluminium	 KFRSC3050 / KFRSCN3050 Quick pre-assembled clamp	 PGSA26 / PGSN26 Simple clamp	 TURXA208 INDETRUT quick nut
	 6921108070 Screw DIN-6921. Stainless steel A2-70		
Base materials		Fixing accessories	
 Metal sheet	 Sandwich panel	 TAC-N/TAC-B Atlantis/Bimetal thin sheet screw	 AUENI Self-tapping screw

Measurement table

Code	A (mm)	B (mm)	C (mm)	D (mm)	E1 (mm)	E2 (mm)	E3 (mm)	F (mm)	G (mm)	H (mm)	I (mm)	J (mm)	L (mm)
PSAAV0150	41	90	22	7	1.8	1.8	1	20	65	75	70	7	150

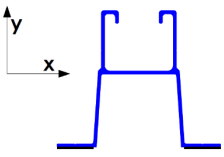
Drawing



### Mechanical properties of the material

	Yield strength $F_{y0.2}$ (N/mm <sup>2</sup> )	Ultimate load $F_u$ (N/mm <sup>2</sup> )	Elastic modulus $E$ (N/mm <sup>2</sup> )	Transverse elastic modulus $G$ (N/mm <sup>2</sup> )	Linear expansion coefficient $\alpha_L$ ( $\mu\text{m/mK}$ )	Specific weight $\rho$ (kg/m <sup>3</sup> )
EN AW6005-T6 aluminium	225	270	69,500	26,200	23.3	2,710

### Mechanical properties of the profile.

	Area $S$ (cm <sup>2</sup> )	Moment of inertia $I_x$ (cm <sup>4</sup> )	Moment of inertia $I_y$ (cm <sup>4</sup> )	Section modulus $W_x$ (cm <sup>3</sup> )	Section modulus $W_y$ (cm <sup>3</sup> )	Linear weight $W$ (kg/m)
 <p>PSA-AV</p>	4.7	28.14	23.73	7.23	5.27	1.27