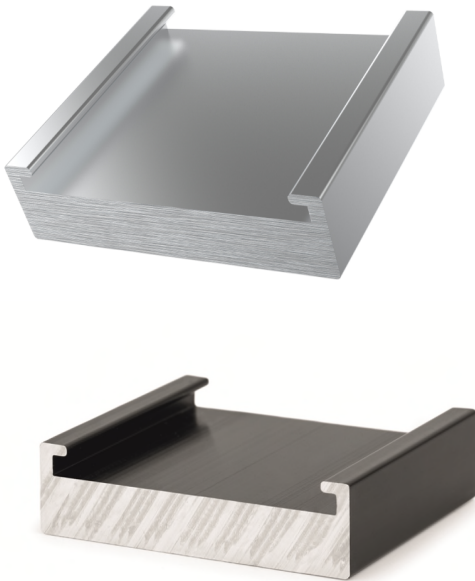


GM-A / GM-N



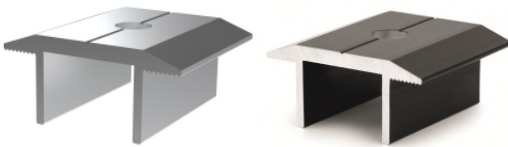
PRODUCT DESCRIPTION

- Aluminium gauge for solar frame

CHARACTERISTICS

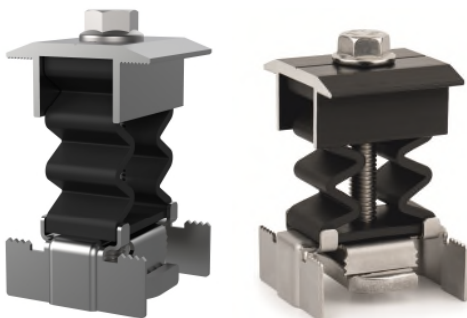
- Gauge designed to complement fixing clamps as an external support for solar panels mounted at the ends of lines.
- EN AW 6063-T6 extruded aluminium profile.
- For outside use.
- Sturdy design for mounting on the clamp profile to ensure the stability of solar panels mounted at the ends of lines.
- Length of profile depends on the solar panel height.
- Available for 30, 35 and 40 mm-high frames. Other sizes available on request.
- Available in black.

APPLICATIONS/MOUNTING ACCESSORIES



PGSA26 / PGSN26

Used as a support for attachment clamps for solar panels mounted at the ends of lines.

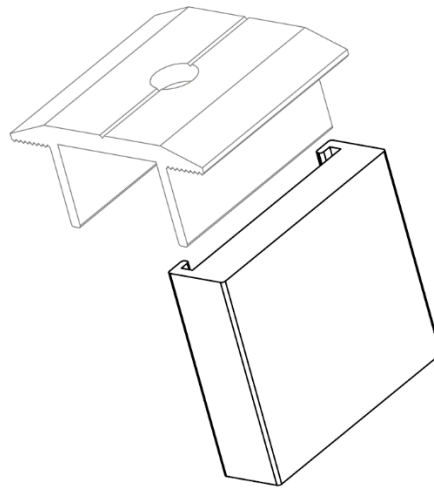


KFRSC3050 / KFRSCN3050

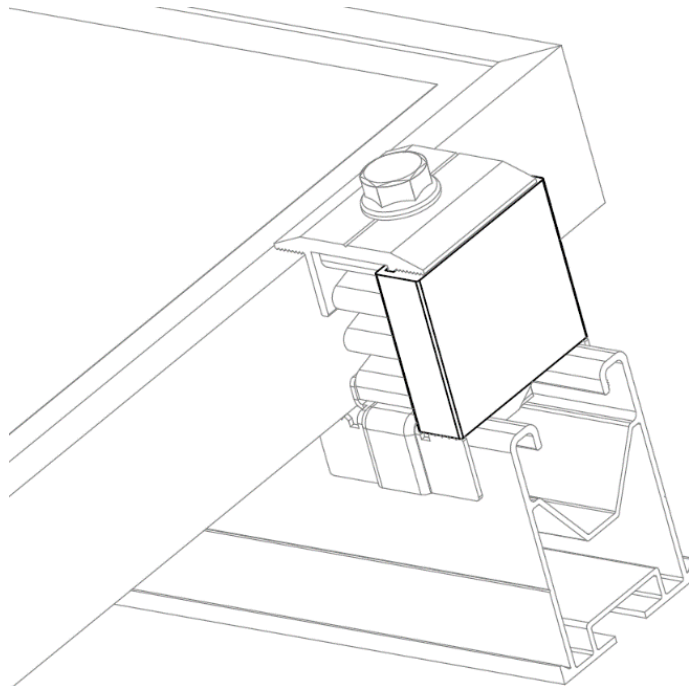
It is specifically designed for use with the **PGSA26** (o PGSN26) “simple clamp”, both when installed separately and when it is part of the **KFRSC3050** (o KFRSCN3050) “Quick pre-assembled clamp”.

The length of the clamp profile should be the same height as the solar panel frame.

APPLICATION EXAMPLES



Application example 1: Mounting on simple clamp.



Application example 2: Mounting on KFRSC3050 quick pre-assembled clamp.

1. RANGE

ITEM	CODE	PHOTO	DESCRIPTION	HEIGHT	MATERIAL
1	GMA030 GMN030		Aluminium gauge for solar frame	30 mm	
	GMA035 GMN035			35 mm	
	GMA040 GMN040			40 mm	

2. INSTALLATION INFORMATION

2.1 GM-A / GM-N

Aluminium gauge for solar frame



Material

Compatible



6063-T6
aluminium

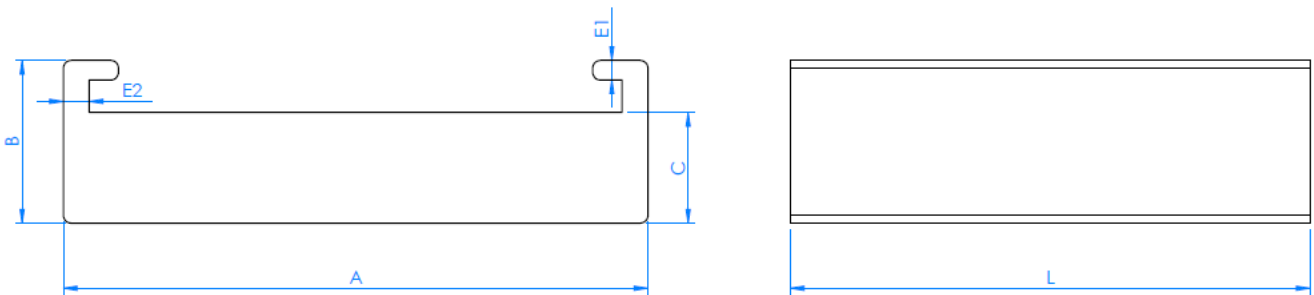
PGSA26 / PGSN26
Simple clamp

KFRSC3050 /
KFRSCN3050
Quick pre-assembled clamp

Measurement table

Code	A (mm)	B (mm)	C (mm)	E1 (mm)	E2 (mm)	L (mm)
GMA030 GMN030	45	12,5	8,5	1,5	2	30
GMA035 GMN035	45	12,5	8,5	1,5	2	35
GMA040 GMN040	45	12,5	8,5	1,5	2	40

Drawing



Mechanical properties of the material

	Yield strength $F_{y0.2}$ (N/mm ²)	Ultimate load F_u (N/mm ²)	Elastic modulus E (N/mm ²)	Transverse elastic modulus G (N/mm ²)	Linear expansion coefficient α ($\mu\text{m}/\text{C}^\circ$)	Specific weight ρ (kg/m ³)
EN AW6063-T6 aluminium	225	270	69.500	26.200	23,3	2.710

Mechanical properties of the profile.

	Area S (cm ²)	Moment of inertia I_x (cm ⁴)	Moment of inertia I_y (cm ⁴)	Section modulus W_x (cm ³)	Section modulus W_y (cm ³)	Linear weight W (kg/m)
 GM-A / GM-N	4,05	0,32	7,75	0,40	3,44	1,09