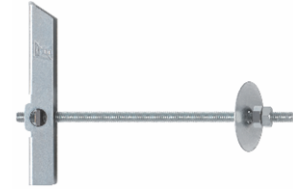




CA-BA



BA-GA



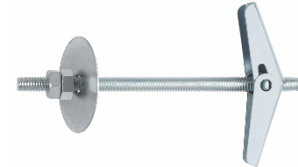
BA-ES



CA-PA



PA-GA



PA-ES

CHARACTERISTICS

- Gravity toggle for fixing lightweight in ceilings.
- Spring toggle for fixing lightweight in ceilings.
- Both elements are available with projecting bolt and hook of easy installation.
- Gravity toggle useful for plasterboard and hollow.
- Spring toggle useful for plasterboard, hollow concrete and plaster.
- Steel EN10130-DC01+A-m and steel SAE 1010 with zinc coatings.













BASE MATERIAL



APPLICATION EXAMPLES



1.RANGE

ITEM	DENOMINATION	PHOTO	MATERIAL	COATING
1	CA-BA		Steel EN10130-DC01+A-m	 Zinc plated $\geq 5\mu\text{m}$ ISO 4042 A2J
2	BA-GA		Steel EN10130-DC01+A-m	 Zinc plated $\geq 5\mu\text{m}$ ISO 4042 A2J
3	BA-ES		Steel EN10130-DC01+A-m	 Zinc plated $\geq 5\mu\text{m}$ ISO 4042 A2J
4	CA-PA		Steel SAE 1010	 Zinc plated $\geq 5\mu\text{m}$ ISO 4042 A2J
5	PA-GA		Steel SAE 1010	 Zinc plated $\geq 5\mu\text{m}$ ISO 4042 A2J
6	PA-ES		Steel SAE 1010	 Zinc plated $\geq 5\mu\text{m}$ ISO 4042 A2J

2. INSTALLATION DATA

2.1 CA-BA

Gravity toggle



Properties



Steel

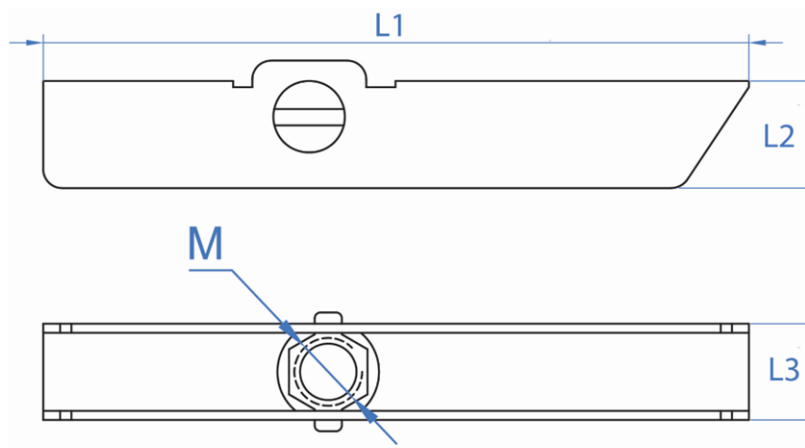


Zinc plated coating

SIZES

CODE		CABA004	CABA005	CABA006	CABA008
M: \varnothing thread	[mm]	M4	M5	M6	M8
L1: Total length	[mm]	65	65	70	80
L2: Height	[mm]	10.7	10.7	12.0	16.8
L3: Width	[mm]	7.7	7.7	9.0	12.2
Threaded rod *		975ZM04	975ZM05	975ZM06	975ZM08
d0: drill diameter	[mm]	14	14	16	20
h: cavity depth \geq	[mm]	70	70	75	85

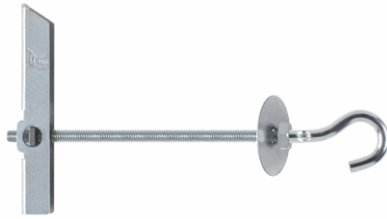
DRAWING



* The rod is not included.

2.2 BA-GA

Spring toggle



Properties



Steel

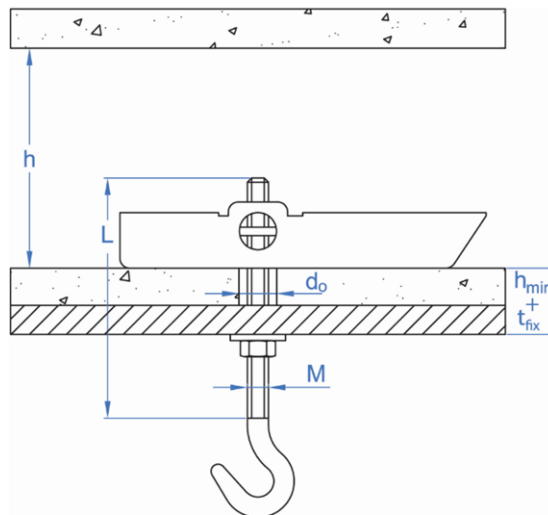


Zinc plated coating

SIZES

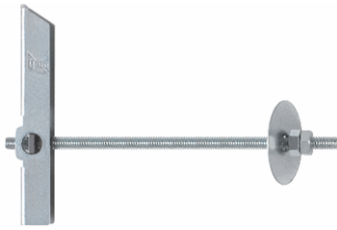
CODE		BAGAM04	BAGAM05	BAGAM06	BAGAM08
M: \varnothing thread	[mm]	M4	M5	M6	M8
L: Total length	[mm]	77	80	87	95
h: Minimum cavity	[mm]	70	70	75	85
$H_{min} + t_{fix} \leq$	[mm]	74	72	68	60
Threaded rod *		975ZM04	975ZM05	975ZM06	975ZM08
d0: drill diameter	[mm]	14	14	16	20

DRAWING



2.3 BA-ES

Projecting bolt



Properties



Steel

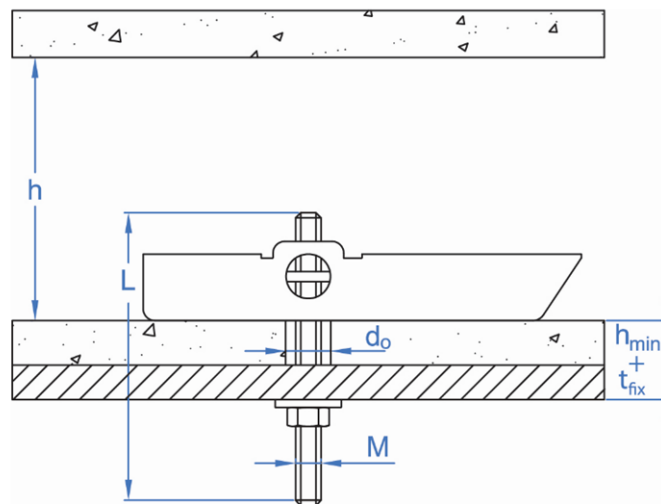


Zinc plated coating

SIZES

CODE		BAESM04	BAESM05	BAESM06	BAESM08
M: \varnothing thread	[mm]	M4	M5	M6	M8
L: Total length	[mm]	100	100	100	100
h: Minimum cavity	[mm]	70	70	75	85
$h_{min} + t_{fix} \leq$	[mm]	74	72	68	60
Threaded rod *		975ZM04	975ZM05	975ZM06	975ZM08
d0: drill diameter	[mm]	14	14	16	20

DRAWING



2.4 CA-PA

Spring toggle head



Properties



Steel

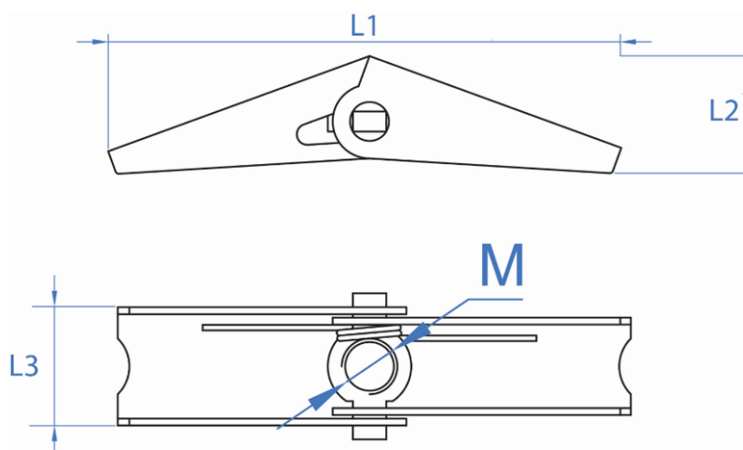


Zinc plated coating

SIZES

CODE		CAPA004	CAPA005	CAPA006	CAPA008
M: \varnothing thread	[mm]	M4	M5	M6	M8
L1: Total length	[mm]	39	50	55	76
L2: Height	[mm]	10	12	14	16
L3: Width	[mm]	9	12	15	17
Threaded rod *		975ZM04	975ZM05	975ZM06	975ZM08
d0: drill diameter	[mm]	12	15	18	22
h: cavity depth \geq	[mm]	26	33	37	54

DRAWING



* The rod is not included.

2.5 PA-GA

HOOK



Properties



Steel

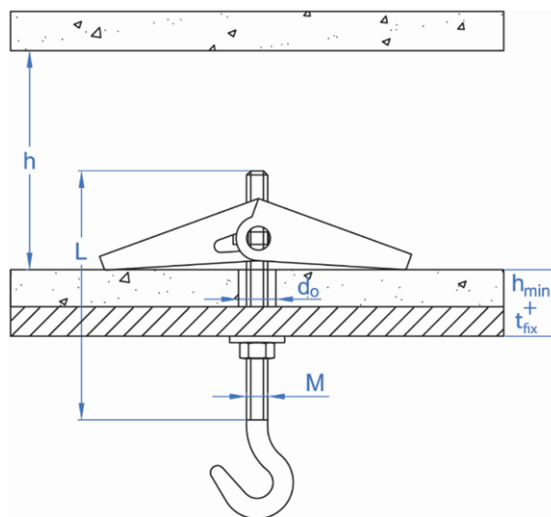


Zinc plated coating

SIZES

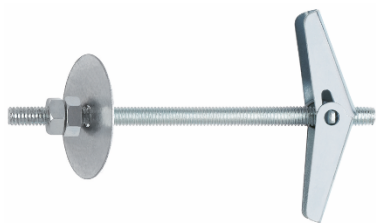
CODE		PAGAM04	PAGAM05	PAGAM06	PAGAM08
M: \varnothing thread	[mm]	M4	M5	M6	M8
L: Total length	[mm]	55	65	80	85
h: Minimum cavity	[mm]	26	33	37	54
$H_{min} + t_{fix} \leq$	[mm]	75	70	66	61
Threaded rod *		975ZM04	975ZM05	975ZM06	975ZM08
d0: drill diameter	[mm]	12	15	18	22

DRAWING



2.6 PA-ES

Projecting bolt



Propiedades



Steel

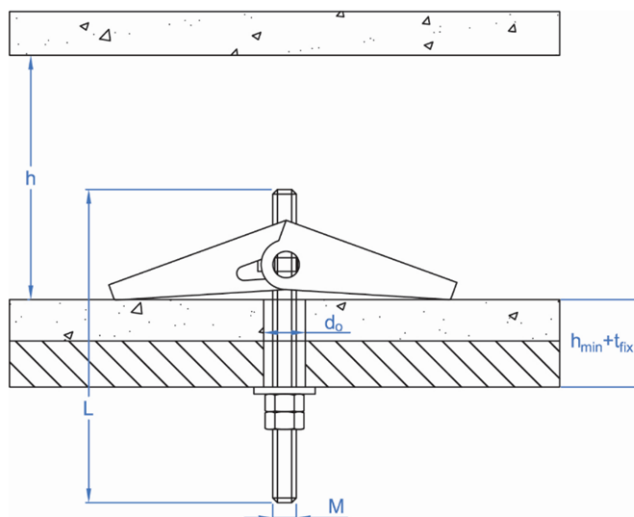


Zinc plated coating

SIZES

CODE		PAESM04	PAESM05	PAESM06	PAESM08
M: \varnothing thread	[mm]	M4	M5	M6	M8
L: Total length	[mm]	100	100	100	100
h: Minimum cavity	[mm]	26	33	37	54
$H_{min} + t_{fix} \leq$	[mm]	75	70	66	61
Threaded rod *		975ZM04	975ZM05	975ZM06	975ZM08
d0: drill diameter	[mm]	12	15	18	22

DRAWING



3. MAXIMUM RECOMMENDED LOADS

The maximum recommended tension loads for pull-out in the indicated material, for an isolated fixing point (without spacing and edge distance effects) are specified in the following table. The data contained in it are valid for every product* of the technical datasheet:

MAXIMUM RECOMMENDED LOADS [kg]

SIZE	Drywall thickness / plaster					Concrete cage
	9,5 mm	12,5 mm	2 x 12,5 mm	15 mm	2 x 15 mm	
M4	18,9	23,7	20,4	23,7	29,9	10,0
M5	19,7	24,4	26,2	36,1	28,0	12,0
M6	21,9	25,5	36,4	36,4	40,1	13,0
M8	23,3	30,2	49,2	44,8	68,8	14,0

*The rod is not included gravity and spring toggle and therefore are not covered by these data.