



AB-RI



AB-ICP



AB-RE



AB-RA



AB-IA



AB-IR



AB-AIS



AB-RID



AB-ZI



AB-SA



PA - EX

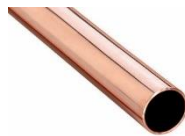


UN-CO


























CHARACTERISTICS

- Heavy-duty clamps for heavyweight pipes.
- Variety of formats: isophonic or standard.
- Coating solutions for every scenario: galvanized, zinc-plated.
- U bolt and support, installation flexibility.
- Double thread clamps M8+M10, M10+M12 and M12+M16.
- Use : sanitation, electric installations, ventilation, air conditioning, gas pipes, etc.

BASE MATERIAL



1. RANGE

ITEM	CODE	PHOTO	SIZES [mm]	COATING	MAXIMUM LOAD RECOMMENDED [kg]	THICKNESS [mm]	WIDTH [mm]	COUPLING NUT	CERTIFICATION	APPLICATIONS	ISOPHONIC	TBC
1	AB-RI		Ø18 – Ø1250		80 – 200	1,35 – 2,3	18,5	M8 + M10		HSW and CW Gas Sanitation Heating systems Air-conditioning Electric systems Ventilation	✓	✓
2	AB-ICP		Ø60 – Ø315		200	2,75 – 4,0	30 - 40	M8 + M10 M10 + M12 M12 + M16	-	HSW and CW Gas Sanitation Heating systems Air-conditioning Electric systems Ventilation	✓	✓
2	AB-RE		Ø18 – Ø1250		80 – 200	1,35 – 2,3	19	M8 + M10	-	Sanitation Electric systems Ventilation	✓	✓
3	AB-RA		Ø15 – Ø125		80	1,5	20	M8	-	Sanitation Electric systems	-	-
4	AB-IA		Ø15 – Ø125		80	1,5	20	M8	-	HSW and CW Gas Sanitation Heating systems Air-conditioning Electric systems Ventilation	✓	✓
5	AB-IR		Ø15 – Ø60		60	1,2	19	M8	-	HSW and CW Gas Sanitation Heating systems Air-conditioning Electric systems Ventilation	✓	✓
6	AB-AIS		Ø10 – Ø219		150 - 200	1,2 – 4,0	20 - 40	M8 + M10	-	HSW and CW Gas Sanitation Heating systems Air-conditioning Electric systems Ventilation	✓	✓
		M8 + M10 M12 + M16										
7	AB-RID		Ø16 – Ø160		150	1,2 – 2,0	20	M8 + M10	-	Sanitation Drainpipes	✓	✓
8	AB-ZI		Ø16 – Ø230		250 – 350	M6 – M10	-	-	-	Gas Sanitation	-	-
9	AB-SA		50 x100 – 100 x 500		-	5 – 6	-	-	-	Gas Sanitation	-	-
10	PA-EX		M8 – M10		-	M8 – M10	-	M8 – M10	-	Any type of pipes (Floor and ceiling).	-	-
11	UN-CO		32x20mm		-	20 mm	-	32 mm	-	-	-	-

2. INSTALLATION DATA

2.1 AB-RI

Reinforced isophonic pipe clamp M8+M10

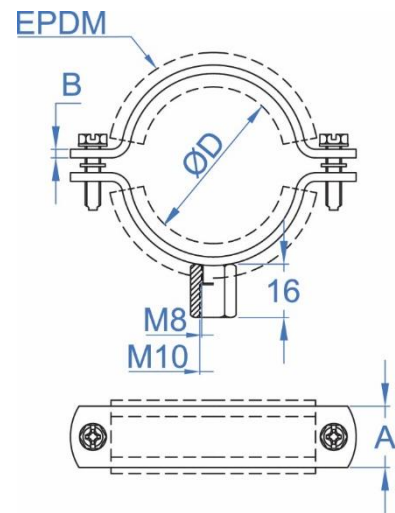


Benefits	Coating	Base Material			
	Zinc-plated	Ventilation pipe	Steel pipe	Copper pipe	PVC pipe

Installation data

Code	Size [mm]	Ø D (mm)	Ø D (")	A x B (mm)	Maximum load recommended(kg)	Characteristics
ABRI018	18	15 - 19	3/8"	18,5x1,35	80	<ul style="list-style-type: none"> • Pipes from Ø18 to Ø1250 mm. • Surface coating: electrolytic zinc plated, coating >3 microns. • Isophonic, EPDM rubber for insulation, noise and vibration reduction. • According to Technical Building Code, TBC, Basic reports HS and HR. • Steel profile of 1.35 ÷ 2.3 mm thickness. • Side screws with plastic washer to avoid losses. • Reinforced. • Welded nut of M8+M10. • Suitable for steel, plastic, copper and ventilation pipes. • Recommended for water supply installations (HSW and CW), drain networks (sanitation), thermal installations (heating, air-conditioning and ventilation systems), compressed air, gas installations, etc. • Service temperature: -30°C ÷ +120°C. • According to DIN 4109: Sound insulation lining • Large sizes available for ventilation pipes. • Noise attenuation certification based on UNE-EN ISO 3822-1. • Maximum noise attenuation VM LIN = 21 dB(A).
ABRI022	22	20 - 25	1/2"			
ABRI028	28	26 - 30	3/4"			
ABRI035	35	32 - 36	1"			
ABRI040	40	38 - 43	1 1/4"			
ABRI048	48	47 - 51	1 1/2"			
ABRI054	54	53 - 56	-			
ABRI060	60	60 - 64	2"			
ABRI070	70	68 - 72	-	18,5x1,75	150	
ABRI075	75	75 - 80	2 1/2"			
ABRI083	83	81 - 86	-			
ABRI090	90	87 - 92	3"			
ABRI100	100	99 - 105	3 1/2"			
ABRI110	110	107 - 112	-			
ABRI115	115	113 - 118	4"			
ABRI125	125	125 - 130	4 1/2"			
ABRI133	133	132 - 137	-	18,5x2,3	200	
ABRI140	140	138 - 142	5"			
ABRI150	150	148 - 152	-			
ABRI160	160	159 - 166	6"			
ABRI180	180	179 - 184	-			
ABRI200	200	196 - 203	-			
ABRI220	220	215 - 226	8"			
ABRI250	250	245 - 254	-			
ABRI300	300	299 - 304	-			
ABRI315	315	314 - 319	-			
ABRI355	355	354 - 359	-			
ABRI400	400	399 - 404	-			
ABRI450	450	449 - 454	-			
ABRI500	500	499 - 504	-			
ABRI560	560	555 - 561	-			
ABRI600	600	599 - 604	-			
ABRI630	630	625 - 631	-			
ABRI710	710	705 - 711	-			
ABRI800	800	799 - 804	-			
ABRI900	900	899 - 904	-			
ABRI910	1000	999 - 1.004	-			
ABRI911	1120	1.115 - 1.121	-			
ABRI912	1250	1.245 - 1.251	-			

DRAWING



2.2 AB-ICP

Reinforced isophonic pipe clamp for heavy duty



Benefits



Coating



Zinc-plated

Base Material



Ventilation pipe

Steel pipe

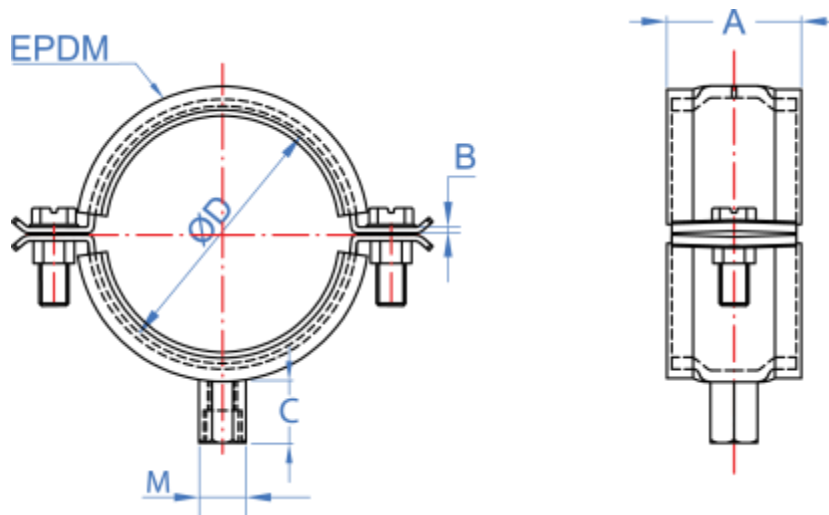
Copper pipe

PVC pipe

Installation data

Code	Ø D (mm)	M	A x B (mm)	C	Fixing range D (mm)	Maximum load recommended (kg)	Characteristics
ABICP060	60	M8/M10	30 x 2,75	17	60 - 65	270	<ul style="list-style-type: none"> • Pipes from Ø60 to Ø315 mm. • Surface coating: electrolytic zinc plated, coating >5 microns. • Steel profile of 2,75 ÷ 4,0 mm thickness • Isophonic, EPDM rubber for insulation, noise and vibration reduction. • According to Technical Building Code, TBC, Basic reports HS and HR. • Side screws with plastic washer to avoid losses. • Reinforced. • According to DIN 4109: Sound insulation lining • Welded nut of M8+M10, M8+M10 and M12+M16
ABICP075	75	M10/M12	30 x 3,0		75 - 78	290	
ABICP090	90				90 - 93		
ABICP110	110				110 - 116		
ABICP140	140	M12/M16	40 x 4,0		139 - 144	580	
ABICP160	160				160 - 166		
ABICP220	220				220 - 228		
ABICP270	270				270 - 275		
ABICP315	315				315 - 324		

DRAWING



2.3 AB-RE

Reinforced pipe clamp M8+M10



Benefits

M8 + M10



Coating



Zinc-plated

Base Material



Ventilation pipe

Steel pipe

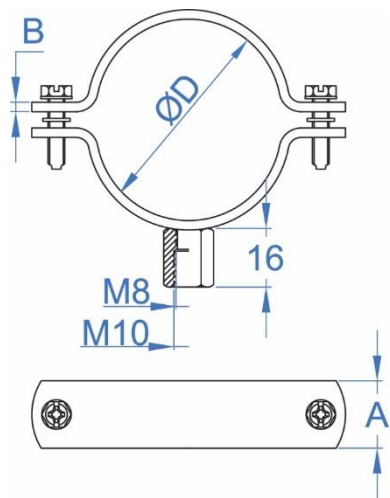
Copper pipe

PVC pipe

Installation data

Code	Size [mm]	Ø D (mm)	Ø D (")	A x B (mm)	Maximum load recommended(kg)	Characteristics
ABRE018	18	15 - 19	3/8"	18,5x1,35	80	<ul style="list-style-type: none"> • Pipes from Ø18 to Ø1250 mm. • Surface coating: electrolytic zinc plated, coating >3 microns. • Steel profile de 1.35 ÷ 2.3 mm thickness. • Side screws with plastic washer to avoid losses. • Reinforced. • Welded nut of M8+M10. • Suitable for steel, plastic, copper and ventilation pipes. • Recommended for sanitation, electric and ventilation installations. • Large sizes available for ventilation pipes.
ABRE022	22	20 - 25	1/2"			
ABRE028	28	26 - 30	3/4"			
ABRE035	35	32 - 36	1"			
ABRE040	40	38 - 43	1 1/4"			
ABRE048	48	47 - 51	1 1/2"			
ABRE054	54	53 - 56	-			
ABRE060	60	60 - 64	2"			
ABRE070	70	68 - 72	-	18,5x1,75	150	
ABRE075	75	75 - 80	2 1/2"			
ABRE083	83	81 - 86	-			
ABRE090	90	87 - 92	3"			
ABRE100	100	99 - 105	3 1/2"	18,5x2,3	200	
ABRE110	110	107 - 112	-			
ABRE115	115	113 - 118	4"			
ABRE125	125	125 - 130	4 1/2"			
ABRE133	133	132 - 137	-			
ABRE140	140	138 - 142	5"			
ABRE150	150	148 - 152	-			
ABRE160	160	159 - 166	6"			
ABRE180	180	179 - 184	-			
ABRE200	200	199 - 212	-			
ABRE220	220	215 - 226	8"			
ABRE250	250	245 - 254	-			
ABRE300	300	299 - 304	-			
ABRE315	315	314 - 319	-			
ABRE355	355	354 - 359	-			
ABRE400	400	399 - 404	-			
ABRE450	450	449 - 454	-			
ABRE500	500	499 - 504	-			
ABRE560	560	555 - 561	-			
ABRE600	600	599 - 604	-			
ABRE630	630	625 - 631	-			
ABRE710	710	705 - 711	-			
ABRE800	800	799 - 804	-			
ABRE900	900	899 - 904	-			
ABRE910	1000	999 - 1.004	-			
ABRE911	1120	1.115 - 1.121	-			
ABRE912	1250	1.245 - 1.251	-			

DRAWING



2.4 AB-RA

Reinforced pipe clamp M8 opened



Benefits



Coating



Zinc-plated

Base Material



Steel pipe



Copper pipe

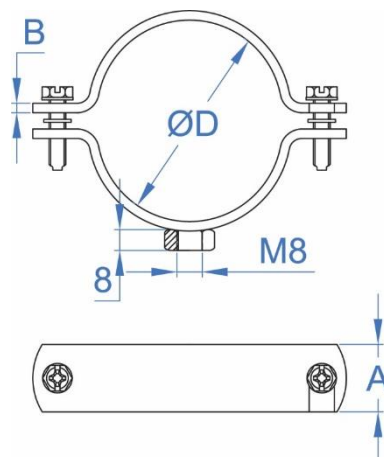


PVC pipe

Installation data

Code	Size [mm]	Ø D (mm)	Ø D (")	A x B (mm)	Maximum load recommended(kg)	Characteristics
ABRA015	15	12-16	1/4"	20x1,5	80	<ul style="list-style-type: none"> • Pipes from Ø15 to Ø125 mm. • Surface coating: electrolytic zinc plated, coating >5 microns • Side opening allowing quick installation. • Welded nut M8. • Side screws with plastic washer to avoid losses. • Steel profile of 1.5 mm thickness. • Recommended for sanitation and electric pipes. • Easy and quick installation
ABRA018	18	15 - 19	3/8"			
ABRA022	22	20 - 25	1/2"			
ABRA028	28	26 - 30	3/4"			
ABRA035	35	32 - 36	1"			
ABRA042	42	38 - 43	1 1/4"			
ABRA048	48	47 - 51	1 1/2"			
ABRA054	54	53 - 58	-			
ABRA060	60	60 - 64	2"			
ABRA075	75	75 - 80	2 1/2"			
ABRA090	90	87 - 92	3"			
ABRA100	100	99 - 105	3 1/2"			
ABRA110	110	107 - 112	-			
ABRA115	115	113 - 118	4"			
ABRA125	125	125 - 130	4 1/2"			

DRAWING



2.5 AB-IA

Reinforced isophonic pipe clamp M8 opened



Benefits



Coating



Zinc-plated

Base Material



Steel pipe



Copper pipe

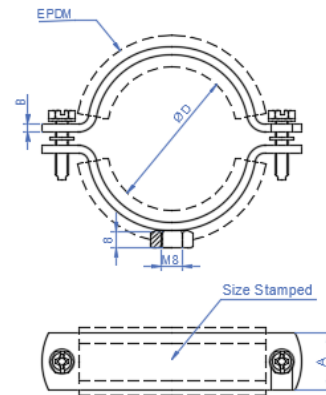


PVC pipe

Installation data

Code	Size [mm]	Ø D (mm)	Ø D (")	A x B (mm)	Maximum load recommended (kg)	Characteristics
ABIA015	15	12-16	1/4"	20x1,5	80	<ul style="list-style-type: none"> • Pipes from Ø15 to Ø125 mm. • Surface coating: electrolytic zinc plated, coating >5 microns. • Side opening allowing quick installation. • Isophonic, EPDM rubber for insulation, noise and vibration reduction. • Welded nut M8. • According to Technical Building Code, TBC, Basic reports HS and HR. • Side screws with plastic washer to avoid losses. • Steel profile of 1.5 mm thickness. • Recommended for water supply installations (HSW and CW), drain networks (sanitation), thermal installations (heating, air-conditioning and ventilation systems), compressed air, gas installations, etc. • Service temperature: -30°C ÷ +120°C. • According to DIN 4109: Sound insulation lining • Easy, economic and quick installation
ABIA018	18	15 - 19	3/8"			
ABIA022	22	20 - 25	1/2"			
ABIA028	28	26 - 30	3/4"			
ABIA035	35	32 - 36	1"			
ABIA042	42	38 - 43	1 1/4"			
ABIA048	48	47 - 51	1 1/2"			
ABIA054	54	53 - 58	-			
ABIA060	60	60 - 64	2"			
ABIA075	75	75 - 80	2 1/2"			
ABIA090	90	87 - 92	3"			
ABIA100	100	99 - 105	3 1/2"			
ABIA110	110	107 - 112	-			
ABIA115	115	113 - 118	4"			
ABIA125	125	125 - 130	4 1/2"			

DRAWING



2.6 AB-IR

Isophonic pipe clamp M8 fast-clip



Benefits



Coating



Zinc-plated

Base Material



Steel pipe



Copper pipe

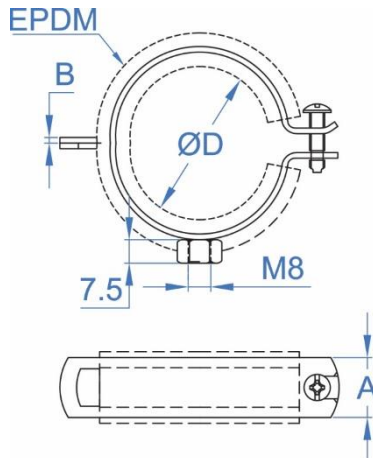


PVC pipe

Installation data

Code	Size [mm]	Ø D (mm)	Ø D (")	A x B (mm)	Maximum load recommended (kg)	Characteristics
ABIR015	16	14 - 15	1/4"	19x1,2	60	<ul style="list-style-type: none"> • Pipes from Ø16 to Ø60 mm. • Surface coating: electrolytic zinc plated, coating >5 microns. • Vertical opening allowing quick installation. • Only one screw included. • Isophonic, EPDM rubber for insulation, noise and vibration reduction. • Welded nut M8. • According to Technical Building Code, TBC, Basic reports HS and HR. • Steel profile of 1.5 mm thickness. • Recommended for water supply installations (HSW and CW), drain networks (sanitation), thermal installations (heating, air-conditioning and ventilation systems), compressed air, gas installations, etc. • Service temperature: -30°C ÷ +120°C. • According to DIN 4109: Sound insulation lining • Easy, economic and quick installation
ABIR018	18	16 - 19	3/8"			
ABIR022	22	21 - 23	1/2"			
ABIR028	28	26 - 28	3/4"			
ABIR035	35	32 - 35	1"			
ABIR040	42	40 - 43	1 1/4"			
ABIR048	48	48 - 51	1 1/2"			
ABIR054	54	52 - 56	-			
ABIR060	60	57 - 60	2"			

DRAWING



2.7 AB- AIS

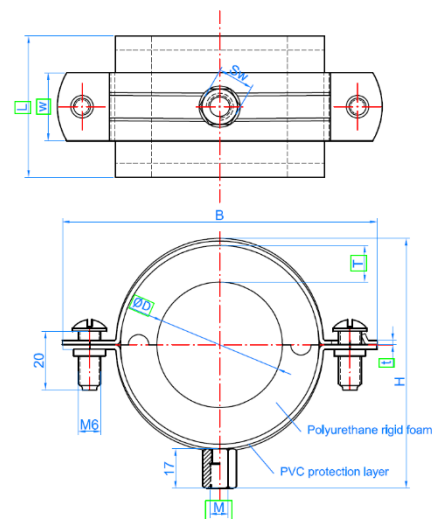
Thermal insulation clamp M8 + M10

	Benefits	Coating	Base Material		
		Zinc-plated	Steel pipe	Copper pipe	PVC pipe

Installation Data

Code	Ø D	B2	M	A1 x B1	A2	C	Fixing range D (mm)	Maximum load recommended (kg)	Characteristics
ABAI13010	10	13	M8/M10	20 x 1,2	20		10 - 12	150	<ul style="list-style-type: none"> Pipes from Ø10 to Ø219 mm. Surface coating: electrolytic zinc plated, coating >5 microns. Side screws with plastic washer to avoid losses. Steel profile of 1 mm Riveted M8 nut Reinforced. Welded nut of M8+M10, M8+M10 and M12+M16 Specially indicated to avoid thermal bridges and avoid condensation in pipes. indicated to avoid thermal bridges and avoid condensation in pipes. Easy and fast installation. Range of temperatures, from -40°C to 105°C.
ABAI13012	12						12 - 15		
ABAI13015	15						15 - 16		
ABAI13018	18						17 - 18		
ABAI13022	22						21 - 22		
ABAI13028	28						27 - 28		
ABAI19010	10	19	M8/M10	25 x 1,5	25		10 - 12	150	
ABAI19012	12						12 - 15		
ABAI19015	15						15 - 16		
ABAI19017	17						17		
ABAI19018	18						17 - 18		
ABAI19022	22						21 - 22		
ABAI19028	28						27 - 28		
ABAI19035	35						35		
ABAI19042	42						42		
ABAI19054	54						54		
ABAI19060	60						60		
ABAI19064	64						64		
ABAI19067	67						67		
ABAI19076	76						76		
ABAI19080	80	80							
ABAI19114	114	114							
ABAI30027	27	30	M8/M10	25 x 2,0	17		27 - 28	150	
ABAI30034	34						34 - 35		
ABAI30042	42						42		
ABAI30049	49						49		
ABAI30054	54						54		
ABAI30060	60						60		
ABAI30076	76						76		
ABAI30089	89						88,9		
ABAI30108	108						108		
ABAI30114	114						114		
ABAI40049	49	40	M12/M16	30 x 3,0	30		42	200	
ABAI40060	60						60		
ABAI40089	89						89		
ABAI40114	115						115		
ABAI40133	133						133		
ABAI40140	140						140		
ABAI40159	159						159		
ABAI40168	168						168		
ABAI40219	219						219		

DRAWING



2.8 AB- RID

Isophonic heavy-duty sliding clamp M8 + M10



Benefits

M8 + M10



DESAGUE
DRAIN-PIPE
GOUTTIERE

Coating



Zinc-plated

Base Material



Steel pipe



Copper pipe

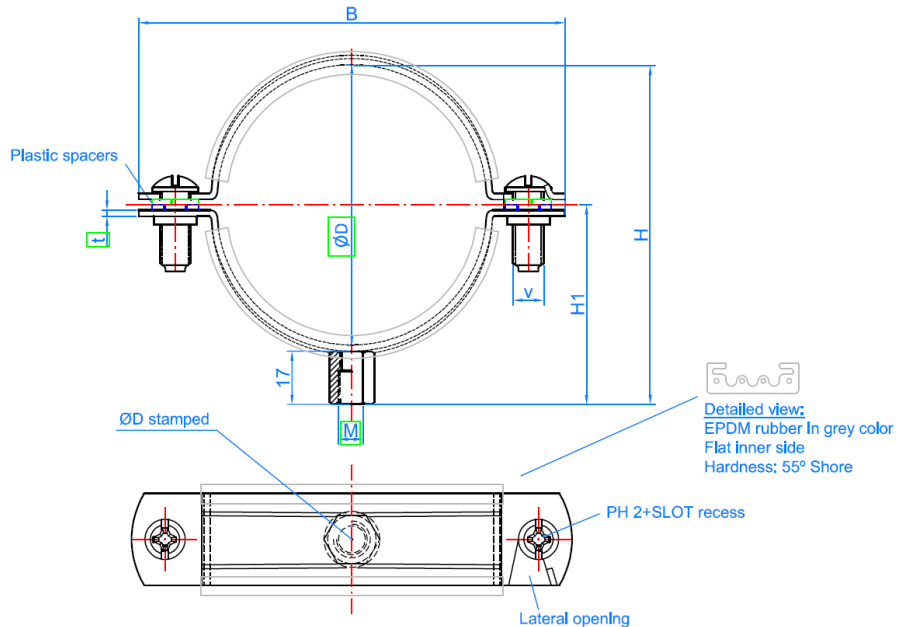


PVC pipe

Installation Data

Code	Ø D (mm)	A x B (mm)	C	Fixing range D (mm)	Maximum load recommended (kg)	Characteristics
ABRID016	16	20 x 1,2	17	16 - 19	40	<ul style="list-style-type: none"> • Pipes from Ø16 to Ø160 mm. • Surface coating: electrolytic zinc plated, coating >3 microns. • Isophonic, EPDM rubber for insulation, noise and vibration reduction. • Steel profile de 1,2 ÷ 2,0 mm thickness. • Side screws with plastic washer to avoid losses. • Specially indicated for PVC pipes • Welded nut of M8+M10. • Suitable for steel, plastic, copper and ventilation pipes. • Easy and fast installation.
ABRID020	20			20 - 23		
ABRID025	25			25 - 30		
ABRID032	32			31 - 36		
ABRID040	40			40 - 46		
ABRID050	50	20 x 1,5		48 - 53	80	
ABRID063	63			60 - 65		
ABRID075	75			72 - 78		
ABRID090	90	20 x 2,0		87 - 92	180	
ABRID110	110			105 - 115		
ABRID125	125		124 - 130			
ABRID140	140		135 - 145			
ABRID160	160		160 - 168			

DRAWING



2.9 AB-ZI

U-Bolt



Benefits



Coating



Zinc-plated

Base Material

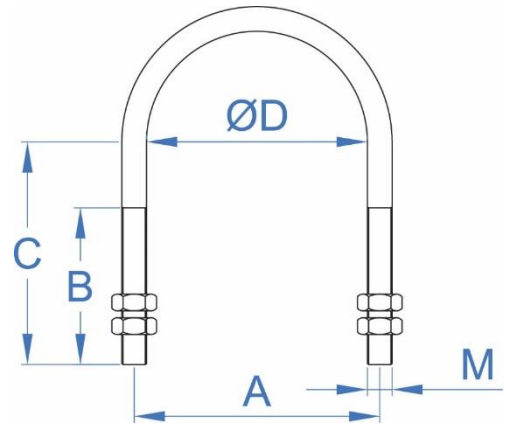


Steel pipe

Datos de Instalación

Code	M	Ø D (")	A (mm)	B (mm)	C (mm)	Maximum load recommended (kg)	Characteristics
AZIM060125	M6	-	16	14	20	250	<ul style="list-style-type: none"> • Easy, fast and versatile installation. • Suitable to fix steel pipes onto supports and metal strut channels. • Safety installation with 2 nuts in both sides, 4 nuts in total. • Surface coating: electrolytic zinc plated, coating >5 microns. • Great range of sizes. Available diameters: M6, M8 y M10. • Fast and resistant installation.
AZIM060250		1/4"	20	14	20		
AZIM060375		3/8"	23,5	15	23		
AZIM060500		1/2"	27,5	17	25		
AZIM060750		3/4"	33	19	31		
AZIM061000		1"	39,5	24	39		
AZIM061250		1 1/4"	48,5	24	44		
AZIM081500	M8	1 1/2"	56,5	26	48	350	
AZIM082000		2"	68,5	26	53		
AZIM082250		2 1/4"	83	35	63		
AZIM082500		2 1/2"	83	35	71		
AZIM083000		3"	99	35	76		
AZIM083500		3 1/2"	112	35	82		
AZIM084000		4"	125	35	87		
AZIM084500		4 1/2"	140	40	100		
AZIM085000		5"	152	40	105		
AZIM086000		6"	179	40	118		
AZIM103000	M10	3"	100	45	66		
AZIM103500		3 1/2"	110	50	94		
AZIM104000		4"	125	55	97,5		
AZIM105000		5"	150	55	108		
AZIM106000		6"	170	55	125		
AZIM108000	8"	230	55	148			

DRAWING



2.10 AB-SA

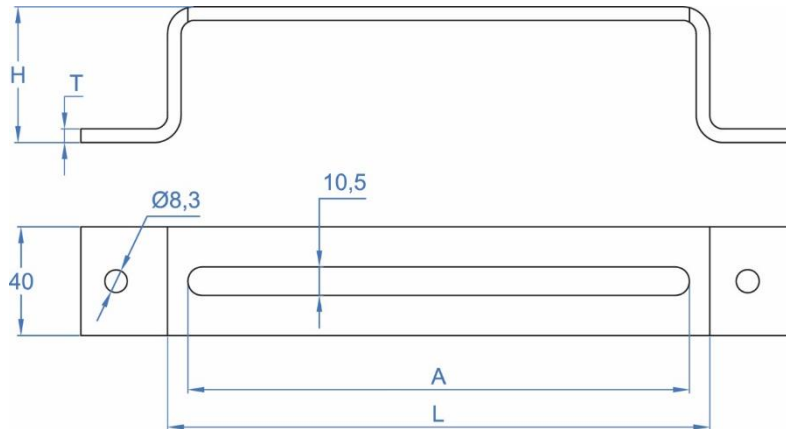
U-Bolt support

	Benefits		Coating	Base Material
			 Zinc-plated	 Steel pipe

Installation data

Code	Size [mm]	H (mm)	L (mm)	A (mm)	T (mm)	Characteristics
ABSA050100	50 x 100	50	100	85	5	<ul style="list-style-type: none"> • Easy, fast and versatile installation. • For M8 and M10 U-Bolts • Fast, safe and resistant installation. • Indicated to be used with M8 U-bolts (with DIN 9021 washer) and M10 U-bolts. • Indicated to fix steel pipes, fixed by means of U-bolts. • General thickness 5 mm. For lengths above 500mm, with 6 mm thickness. • Wide range of sizes, length from 100 mm to 600 mm. • Height, H, of 50 mm and 100 mm.
ABSA050125	50 x 125		125	110	5	
ABSA050200	50 x 200		200	185	5	
ABSA050300	50 x 300		300	285	5	
ABSA050400	50 x 400		400	385	5	
ABSA050500	50 x 500		500	485	6	
ABSA050600	50 x 600		600	585	6	
ABSA100100	100 x 100	100	100	85	5	
ABSA100125	100 x 125		125	110	5	
ABSA100200	100 x 200		200	185	5	
ABSA100300	100 x 300		300	285	5	
ABSA100400	100 x 400		400	385	5	
ABSA100500	100 x 500		500	485	6	

DRAWING



2.11 PA-EX

Sliding guide

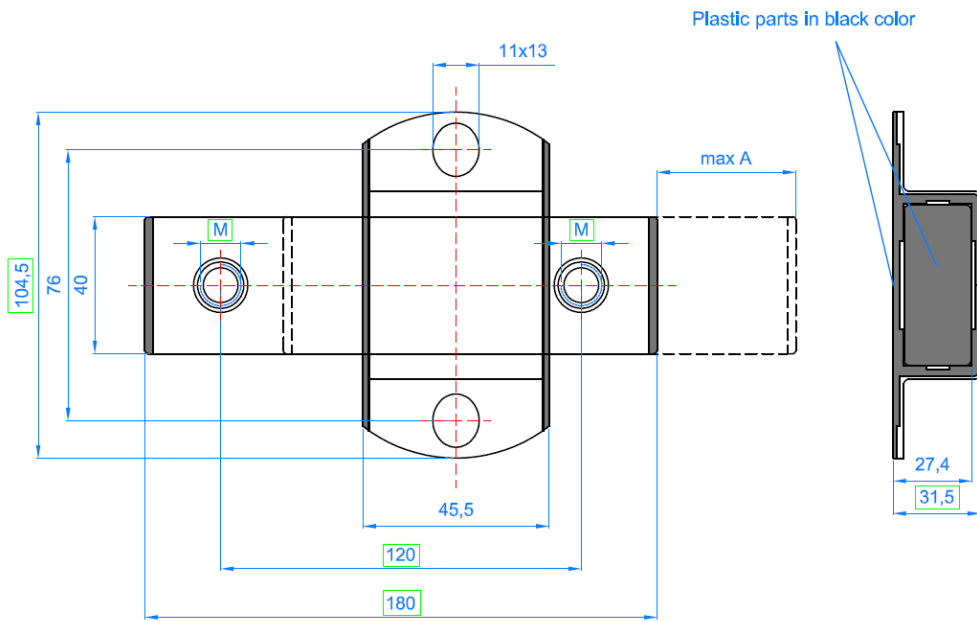


Material	Coating	Valid for
		
Steel	Zinc-plated	Indextrut slotted channel

Installation Data

Code	A1	A2	B1	B2	C1	C2	E	F	M
PAEXM08	105	180	76	120	40	45	11x13	31,5	M8
PAEXM10	105	180	76	120	40	45	11x13	31,5	M10

Drawing



2.12 UN-CO

C clamp for duct



Properties



Steel



Zin Plated coating

Sizes

CODE	A	B	C	E	M	SW
UNCO3220	27,5	2,75	30	22	M8	10

DRAWING

