



AB-M6



AB-M6Z



AB-D6



AB-D6Z



AB-6I



AB-DI



AB-CR



AB-PI



AB-PU

CHARACTERISTICS

- For fixing plastic, copper or steel piping, wiring, etc.
- Manufactured in steel.
- Versatile, as some models have lateral opening.
- Versatile, as may be installed with plug and screw.
- MEASUREMENTS: \varnothing minimum 8 ÷ \varnothing maximum 63.

APPLICATIONS

- Fixing light piping in general.
- Fixing electrical wiring.
- Fixing central heating piping.
- Fixing HSW piping.



















BASE MATERIALS



APPLICATION EXAMPLES



1. GAMA

ITEM	CODE	PHOTO	MEASUREMENTS [mm]	COATING	RECOMMENDED TENSION RESISTANCE (Kg)	THICKNESS [mm]	WIDTH [mm]	THREAD	OPENING	TECHNICAL APPROVAL	APPLICATIONS	PARALLEL ASSEMBLY	SCREW	ISOPHONIC	TBC
1	AB-M6		Ø8 ÷ Ø63		70-100	1 – 1,2	10,6 – 11,5	M6	Fast Lateral	-	Gas Sanitary Electrical	-	-	-	-
2	AB-M6Z		Ø8 ÷ Ø63		70-100	1 – 1,2	10,6 – 11,5	M6	Fast Lateral	-	Gas Sanitary Electrical	-	-	-	-
3	AB- D6		Ø12 ÷ Ø28		100	0,8 – 1,5	11,5 - 12	M6	-	-	Gas Sanitary Electrical	✓	-	-	-
4	AB-D6Z		Ø12 ÷ Ø28		100	0,8 – 1,5	11,5 - 12	M6	-	-	Gas Sanitary Electrical	✓	-	-	-
5	AB-6I		Ø12 ÷ Ø60		70 - 100	0,9 – 1,1	10,6 – 11,5	M6	Fast Lateral	-	HSW and CW Gas Sanitary Heating Air Conditioning Electrical	-	-	✓	✓
6	AB-DI		Ø12 ÷ Ø28		100	1 -1,2	11,7	M6	-	-	HSW and CW Gas Sanitary Heating Air Conditioning Electrical	-	-	✓	✓
7	AB-CR		Ø10 ÷ Ø12		70	1,2	11 – 12	M6	Fast Lateral	-	Sanitary	-	-	-	-
8	AB-PI		Ø6 ÷ Ø63		30	0,9 – 1,2	11,7 – 15,7	-	-	-	Sanitary Electrical	-	-	-	-
9	AB-PU		Ø16 ÷ Ø63		30	1,2	13,7 – 15,7	-	-	-	Sanitary Electrical	-	-	-	-

2. INSTALLATION DATA

2.1 AB-M6 / M6Z

Pipe clamp M6

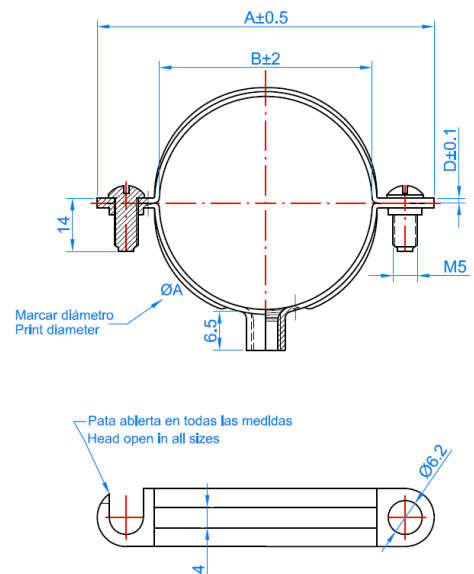


Coating		Base Materials		
Bichromated ≥ 3 microns	Zinc plated	Steel Piping	Copper Piping	Plastic Piping

Installation data

Code	$\varnothing B$ [mm]	$\varnothing B$ (")	Width	Thickness	Recommended Load (kg)	Characteristics
ABM6008 / ABMZ6008	8	---	10.6	1 \div 1.2	70	<ul style="list-style-type: none"> For piping from $\varnothing 8$ to $\varnothing 63$ mm. Surface finish: Yellow zinc plated and zinc plated ≥ 3 microns. Steel profile, 1 \div 1.2 mm thick. Lateral opening for all diameters, for faster installation. Encased M6 nut. Suitable for steel and plastic piping. Suitable for gas, sanitary and electrical installations, etc.
ABM6010 / ABMZ6010	10	1/8"	10.6	1 \div 1.2	70	
ABM6012 / ABMZ6012	12	1/4"	10.6	1 \div 1.2	70	
ABM6014 / ABMZ6014	14	---	10.6	1 \div 1.2	70	
ABM6015 / ABMZ6015	15	---	10.6	1 \div 1.2	70	
ABM6016 / ABMZ6016	16	---	10.6	1 \div 1.2	70	
ABM6018 / ABMZ6018	18	3/8"	10.6	1 \div 1.2	70	
ABM6020 / ABMZ6020	20	---	10.6	1 \div 1.2	70	
ABM6022 / ABMZ6022	22	1/2"	10.6	1 \div 1.2	70	
ABM6025 / ABMZ6025	25	---	10.6	1 \div 1.2	70	
ABM6026 / ABMZ6026	26	3/4"	10.6	1 \div 1.2	70	
ABM6028 / ABMZ6028	28	---	10.6	1 \div 1.2	70	
ABM6032 / ABMZ6032	32	1"	10.6	1 \div 1.2	70	
ABM6035 / ABMZ6035	35	---	11.5	1 \div 1.2	70	
ABM6037 / ABMZ6037	37	---	11.5	1 \div 1.2	100	
ABM6040 / ABMZ6040	40	---	11.5	1 \div 1.2	100	
ABM6042 / ABMZ6042	42	1-1/4"	11.5	1 \div 1.2	100	
ABM6047 / ABMZ6047	47	---	11.5	1 \div 1.2	100	
ABM6050 / ABMZ6050	50	---	11.5	1 \div 1.2	100	
ABM6054 / ABMZ6054	54	---	11.5	1 \div 1.2	100	
ABM6060 / ABMZ6060	60	2"	11.5	1 \div 1.2	100	
ABM6063 / ABMZ6063	63	---	11.5	1 \div 1.2	100	

DRAWING



2.2 AB-D6

Double pipe clamp M6



Coating



Bichromated ≥ 3 microns



Zinc plated

Base Materials



Steel Piping



Copper Piping

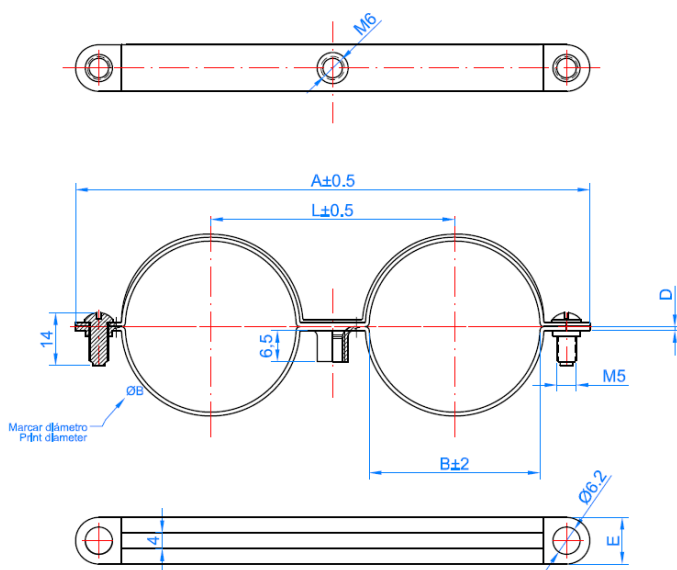


Plastic Piping

Installation data

Code	$\varnothing B$ (mm)	$\varnothing B$ (")	E	D	Recommended Load (kg)	Characteristics
ABD6012/ ABDZ6012	12	1/4"	11,5 ÷ 12,0	0,8 ÷ 1,2	70	<ul style="list-style-type: none"> • For piping from $\varnothing 12$ to $\varnothing 28$ mm. • Surface finish: Yellow zinc plated and zinc plated ≥ 3 micron • Steel profile, 0,8÷1,5 mm thick. • Encased M6 nut. • Suitable for steel and plastic piping. • Suitable for gas, sanitary and electrical installations, etc.
ABD6015/ ABDZ6015	15	--	11,5 ÷ 12,0	0,8 ÷ 1,3	70	
ABD6018/ ABDZ6018	18	3/8"	11,5 ÷ 12,0	0,8 ÷ 1,3	70	
ABD6020	20	--	11,5 ÷ 12,0	0,8 ÷ 1,3	100	
ABD6022/ ABDZ6022	22	1/2"	11,5 ÷ 12,0	0,8 ÷ 1,3	70	
ABD6028/ ABDZ6028	28	--	11,5 ÷ 12,0	1,1 ÷ 1,5	70	

DRAWING



APPLICATION EXAMPLES



2.3 AB-6I

Isophonic pipe clamp M6



Coating



Bichromated

Base Materials



Steel Piping



Copper Piping

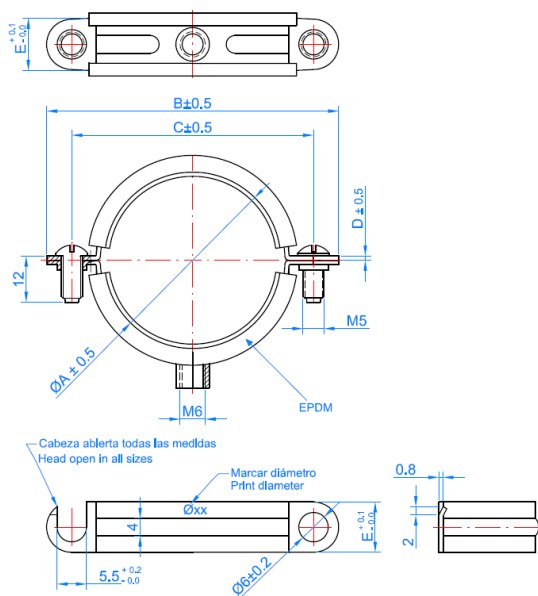


Plastic Piping

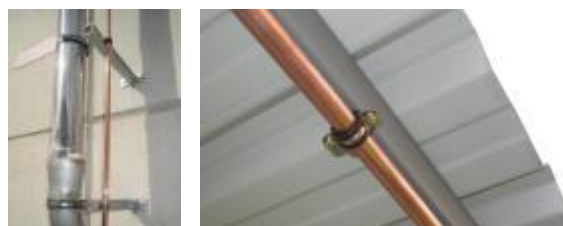
Installation data

Code	Ø A [mm]	Ø A (")	A x B (mm)	Recommended Load (kg)	Characteristics
AB6I012	12	1/4"	10,6 x 0,9	70	<ul style="list-style-type: none"> • For piping from Ø12 to Ø 63 mm. • Surface finish: Yellow zinc plated ≥ 5 microns. • Steel profile, 0.9±1.1 mm thick. • Lateral opening for all diameters, for faster installation. • Encased M6 nut. • Installation temperature: -30°C ÷ +120°C. • EPDM rubber for isolation and noise / vibration reduction. • Compliant with the Technical Building Code (TBC), HS and HR Basic Requirements sections. • Suitable for steel and plastic piping. • Suitable for gas, sanitary and electrical installations, etc.
AB6I015	15	--	10,6 x 0,9	70	
AB6I016	16	3/8"	10,6 x 0,9	70	
AB6I018	18	--	10,6 x 0,9	70	
AB6I022	22	1/2"	10,6 x 0,9	70	
AB6I026	26	3/4"	10,6 x 0,9	70	
AB6I028	28	--	10,6 x 0,9	70	
AB6I035	35	1"	11,5 x 1,1	70	
AB6I042	42	1-1/4"	11,5 x 1,1	100	
AB6I048	48	1-1/2"	11,5 x 1,1	100	
AB6I054	54	--	11,5 x 1,1	100	
AB6I060	60	2"	11,5 x 1,1	100	

DRAWING



APPLICATION EXAMPLES



2.4 AB-DI

Double isophonic pipe clamp M6



Coating



Bichromated

Base Materials



Steel Piping



Copper Piping

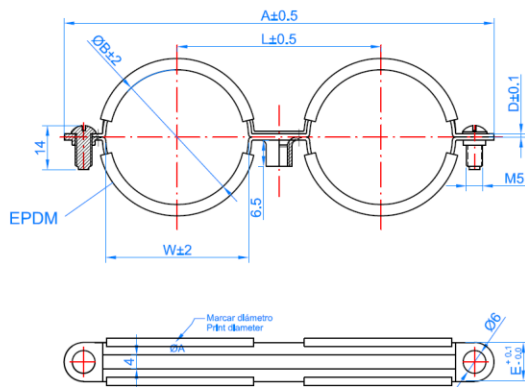


Plastic Piping

Installation data

Code	ØB (mm)	Ø B (")	E x D (mm)	Recommended Load (kg)	Characteristics
ABDI012	12	1/8"	11,7 ÷ 1,0	100	<ul style="list-style-type: none"> • For piping from Ø12 to Ø60 mm. • Surface finish: Yellow zinc plated ≥ 5 microns. • Steel profile, 1±1.2 mm thick. • Encased M6 nut. • Installation temperature: -30°C ÷ +120°C. • EPDM rubber for isolation and noise / vibration reduction. • Compliant with the Technical Building Code (TBC), HS and HR Basic Requirements sections. • Suitable for steel and plastic piping. • Suitable for gas, sanitary and electrical installations, etc.
ABDI015	15	1/4"	11,7 ÷ 1,2	100	
ABDI018	18	3/8"	11,7 ÷ 1,2	100	
ABDI022	22	1/2"	11,7 ÷ 1,2	100	
ABDI028	28	3/4"	11,7 ÷ 1,2	100	

DRAWING



APPLICATION EXAMPLES



2.5 AB-CR

Chrome coated pipe clamp M6



Coating



Nickel plated Chrome

Base Materials



Chrome Piping

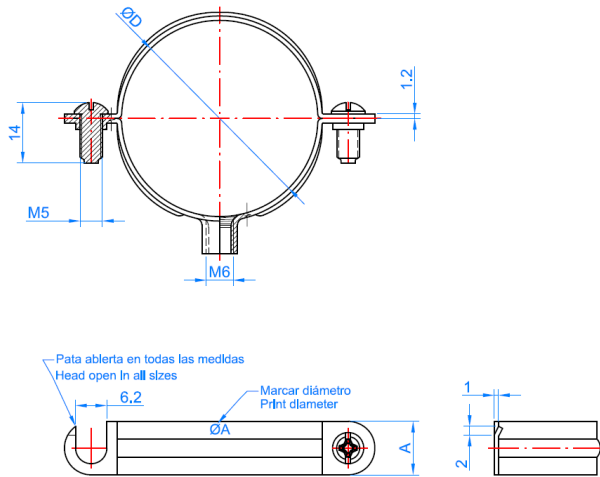


Plastic Piping

Installation data

Code	ØD (mm)	ØD (")	A x C (mm)	Recommended Load (kg)	Characteristics
ABCR010	10	1/8"	12 x 1,2	70	<ul style="list-style-type: none"> • For piping from Ø10 to Ø12 mm. • Surface finish: chromed. • Steel profile, 1.2 mm thick. • Lateral opening for faster installation • Encased M6 nut. • Suitable for sanitary and plastic piping. • Especially suitable for sanitary installation, boilers, urinals, etc.
ABCR012	12	1/4"	12 x 1,2	70	

DRAWING



APPLICATION EXAMPLES



2.6 AB-PI

Conduit clip



Zinc plated

Base Materials



Steel Piping



Cables

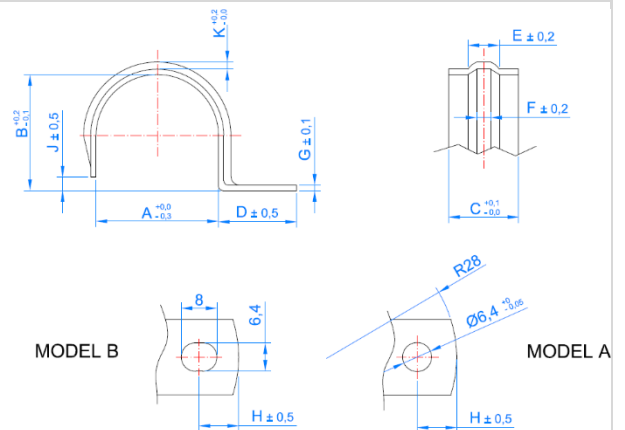


Plastic Piping

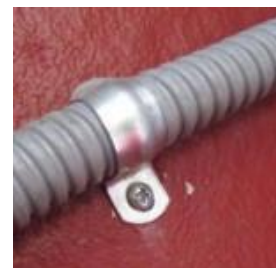
Installation data

Code	A (mm)	A (")	C x G (mm)	Recommended Load (kg)	Characteristics
ABPI006	6	--	11,7 x 0,9	30	<ul style="list-style-type: none"> • For piping and cables from Ø6 to Ø63 mm. • Surface finish: Zinc plated ≥ 5 microns. • Steel profile, 0.9 ÷ 1,2 mm thick. • Suitable for light plastic or steel piping and electrical cables. • Suitable for sanitary installations, electrical wiring, etc.
ABPI008	8	--	11,7 x 0,9	30	
ABPI010	10	1/8"	11,7 x 0,9	30	
ABPI012	12	1/4"	11,7 x 0,9	30	
ABPI014	14	--	14,0 x 1,0	30	
ABPI016	16	--	14,0 x 1,0	30	
ABPI018	18	3/8"	14,0 x 1,0	30	
ABPI020	20	--	15,7 x 1,2	30	
ABPI022	22	1/2"	15,7 x 1,2	30	
ABPI025	25	--	15,7 x 1,2	30	
ABPI026	26	3/4"	15,7 x 1,2	30	
ABPI028	28	--	15,7 x 1,2	30	
ABPI032	32	1"	15,7 x 1,2	30	
ABPI040	40	--	15,7 x 1,2	30	
ABPI042	42	1-1/4"	15,7 x 1,2	30	
ABPI047	47	1-1/2"	15,7 x 1,2	30	
ABPI050	50	--	15,7 x 1,2	30	
ABPI063	63	2"	15,7 x 1,2	30	

DRAWING



APPLICATION EXAMPLES



2.7 AB-PU

Bridge conduit clip



Zinc plated

Base Materials



Steel Piping



Cables



Plastic Piping

Installation data

Code	ØA (mm)	ØA (")	C x G (mm)	Recommended Load (kg)	Characteristics
ABPU016	16	--	13,7 x 1,2	30	<ul style="list-style-type: none"> • For piping and cables from Ø1 to Ø63 mm. • Surface finish: Zinc plated ≥ 5 microns. • Steel profile, 1.2 mm thick. • Suitable for light plastic or steel piping and electrical cables. • Suitable for sanitary installations, electrical wiring, etc.
ABPU018	18	3/8"	13,7 x 1,2	30	
ABPU020	20	1/2"	13,7 x 1,2	30	
ABPU022	22	--	15,7 x 1,2	30	
ABPU025	25	3/4"	15,7 x 1,2	30	
ABPU028	28	--	15,7 x 1,2	30	
ABPU032	32	1"	15,7 x 1,2	30	
ABPU037	37	--	15,7 x 1,2	30	
ABPU040	40	1-1/4"	15,7 x 1,2	30	<p style="text-align: center;">DRAWING</p>
ABPU050	50	1-1/2"	15,7 x 1,2	30	
ABPU063	63	--	15,7 x 1,2	30	

APPLICATION EXAMPLES

