



PL



PLRA



PLTR



PLCA

## CHARACTERISTICS

- Needle S point: it drills metals up to 0.6 mm thick directly
- 60° tapping thread
- Coating: zinc plated (PLCA) or phosphate. The coating eases the adherence of the filler putty to the head of the screw.
- DIMENSIONS:  $\varnothing 3.5 \div \varnothing 4.8$
- Material: special steel with heat treatment

## BASE MATERIALS











## APPLICATION EXAMPLES



- Fixing of plasterboards or isolation panels to metallic profiles of 0.6 ÷ 3.0 mm maximum thickness or wood.
- Fixing of plasterboards or plasterboards to wood.

## 1. RANGE

ITEM	CODE	PHOTO	HEAD	POINT	METAL DRILLING CAPACITY [mm]	THREAD	RECOMMENDED LOAD [kg]	COATING
1	PL		Bugle	S: Needle	≤ 0,6	Twinfast	25	
2	PL-RA		Bugle	S: Needle	--	Coarse	--	
3	PL-TR		Bugle	Broca: Self-drilling	0,6 – 3,0	Tapping	20	
4	PL-CA		Low panhead + washer	S: Needle	≤ 0,6	Standard	25	

## 2. INSTALLATION DATA

### 2.1 PL

### Drywall screw for plasterboard



#### Characteristics



Phosphated

Installation with drill

Certificate CE

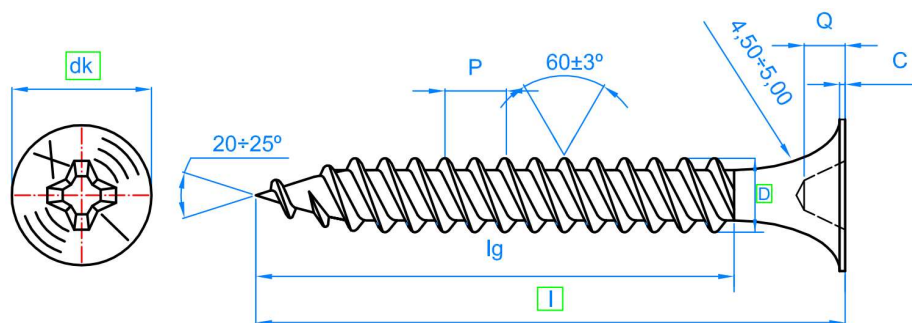
Ph#2

Light load

#### Installation data

CODE		ST 3.5	ST 3.9	ST 4.2	ST 4.8
d <sub>k</sub> : head diameter	[mm]	8,50	8,50	8,50	9,40
c: head thickness	[mm]	0,85	0,85	1,00	1,00
D: outer thread diameter	[mm]	3,50	3,90	4,20	4,80
d: inner thread diameter	[mm]	2,18	2,34	2,50	3,10
p: thread pitch	[mm]	1,49	1,69	1,81	2,30
l: lengths	[mm]	19-55	25-58	65-75	90-130
Coating		Phosphated	Phosphated	Phosphated	Phosphated
Bit codes (Ph recess)		PUPHC02 PUPHL02	PUPHC02 PUPHL02	PUPHC02 PUPHL02	PUPHC02 PUPHL02
Recommended load	[kg]	25	25	25	25

#### DRAWING



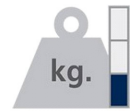
- S needle point: it allows penetration in soft materials and metallic profiles up to 0.6 mm thick.
- Coating: phosphated (up to PL42065) and zinc (from PL42075).
- Application: fixing of plasterboards or isolation panels to metallic profiles of 0.6 mm maximum thickness. (Inner profiles).
- Twinfast thread.

## 2.2 PLRA

### Drywall screw coarse thread



#### Characteristics



Phosphated

Installation with drill

Certificate CE

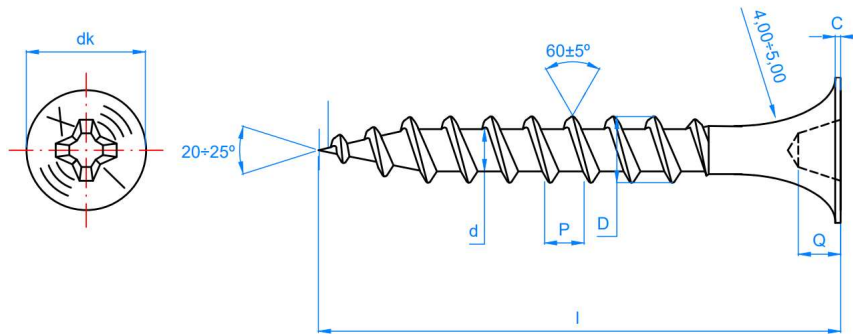
Ph#2

Light load

#### Installation data

CODE		ST 3.9	ST 4.8
dk: head diameter	[mm]	8,50	9,40
c: head thickness	[mm]	0,85	1,00
D: outer thread diameter	[mm]	3,90	4,80
d: inner thread diameter	[mm]	2,80	3,50
p: thread pitch	[mm]	2,80	3,10
l: lengths	[mm]	25-55	90-130
Coating		Phosphated	Phosphated
Bit codes (Ph recess)		PUPHC02 PUPHL02	PUPHC02 PUPHL02

#### DRAWING



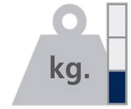
- S needle point: it allows penetration in soft materials and wood.
- Phosphated coating.
- Application: coarse thread to fix drywalls or drywalls to wood.
- Coarse thread which allows a faster installation.

## 2.3 PLTR

### Drywall self-drilling screw



#### Characteristics



Phosphated

Installation with drill

Certificate CE

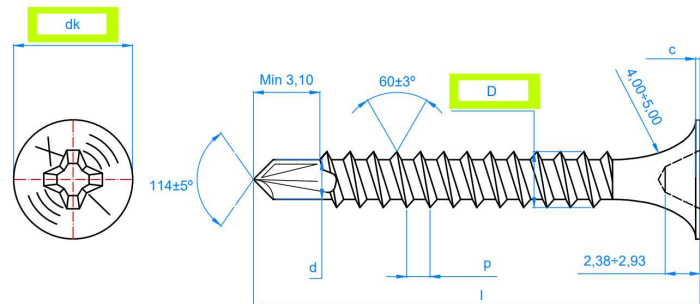
Ph#2

Light load

#### Installation data

CODE		ST 3.5
$d_k$ : head diameter	[mm]	8,4
c: head thickness	[mm]	0,80
D: outer thread diameter	[mm]	3,53
d: inner thread diameter	[mm]	2,85
p: thread pitch	[mm]	1,35
l: lengths	[mm]	19-55
Coating		Phosphated
Bit codes (Ph recess)		PUPHC02 PUPHL02
$d_k$ : head diameter	[kg]	25

#### DRAWING

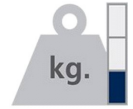


## 2.4 PL-CA

### Drywall screw, flat head with washer



#### Characteristics



Zinc-plated

Installation with drill

Certificate CE

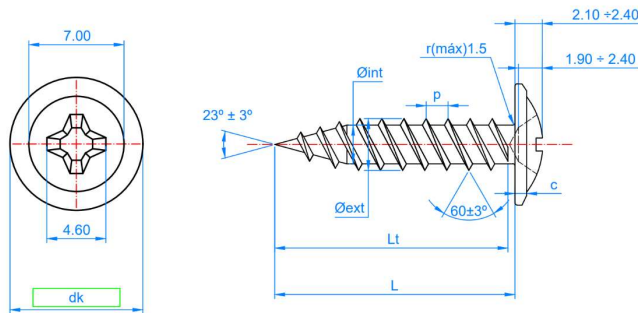
Ph#2

Light load

#### Installation data

CODE		ST 4.2
$d_k$ : head diameter	[mm]	10,5 – 11,0
c: head thickness	[mm]	1,20
D: outer thread diameter	[mm]	4,10 – 4,30
d: inner thread diameter	[mm]	2,60
p: thread pitch	[mm]	1,60
l: lengths	[mm]	13-51
Coating		Fosfatado
Bit codes (Ph recess)		PUPHC02 PUPHL02
Recommended load	[kg]	25

#### DRAWING



- S needle point: it allows penetration in soft materials and metallic profiles up to 0.6 mm thick. (Inner profiles)
- Zinc coating.
- Application: fixing of plasterboards or isolation panels to metallic profiles of 0.6 mm maximum thickness. (Inner profiles)
- Twinfast thread.