



TPPO



TPPOZ



TPTO



TPA2



TPBR



FS



TRPO



ABA



ATA



TCLA



TRE-Z / TRE-PV



TPTPAD/TPTP/ATAP

CHARACTERISTICS

- Zinc plated, zinc yellow passivated and stainless steel.
- Self drilling versions, inviolate, with hole for cup, different heads and slots: assembling flexibility.












APPLICATIONS

- Use in all type of assemblies of wood carpentry.
- Applications: union of metallic wood connectors to wood, woods assembly, iron reinforcements to wood....

BASE MATERIAL



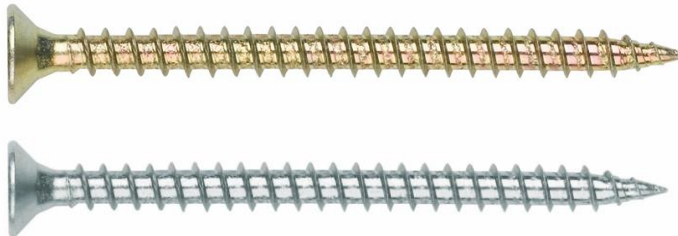
1. SELECTION CHART

SCREW	HEAD	TIP	THREAD	SLOT	SURFACE TREATMENT	APPLICATION
TPPO 	Countersunk 90°	S	Wood 40°	Pz	Zinc plated yellow passivated	Fixing metallic connectors on wood Wood to wood fixings
TPPOZ 	Countersunk 90°	S	Wood 40°	Pz	Zinc plated	Fixing metallic connectors on wood Wood to wood fixings
TPTO 	Countersunk 90°	S	Wood 40°	Tx	Zinc plated yellow passivated	Fixing metallic connectors on wood Wood to wood fixings
TPA2 	Countersunk 90°	S	Wood 40°	Pz	Stainless steel A2	Fixing metallic connectors on wood Wood to wood fixings
TPBR 	Countersunk 90°	Drill	Wood 40°	Pz	Zinc plated	Hard surface wood. Hard wood
TRPO 	Round	S	Wood 40°	Pz	Zinc plated yellow passivated	Fixing handles, power dopbit, shields, etc.
ABA 	Countersunk	Drill	Metal 60°	Ph	Zinc plated	Fixing wood >12 mm to a metallic profile
ATA 	Countersunk	Drill	Metal 60°	Tx	Zinc plated	Fixing wood >12 mm to a metallic profile
TCLA 	Pan	Nail	Self tapping	Ph + ranura	Zinc plated	Venetian-blind fastening
TREZ/ TREPV 	Pan	Straight	Wood 40°	Allen	Zinc plated / Black oxidation	Chipboard fixings
FS 	Countersunk 90°	Drill	Metal 60°	---	Zinc plated	Fixing metal plates to wood

2. INSTALLATION DATA

2.1 TP-PO

Chipboard screw countersunk 90° head, thread 40°



Characteristics

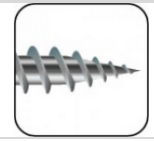


Steel

Zinc plated

Zinc plated yellow passivated

Properties



Pz

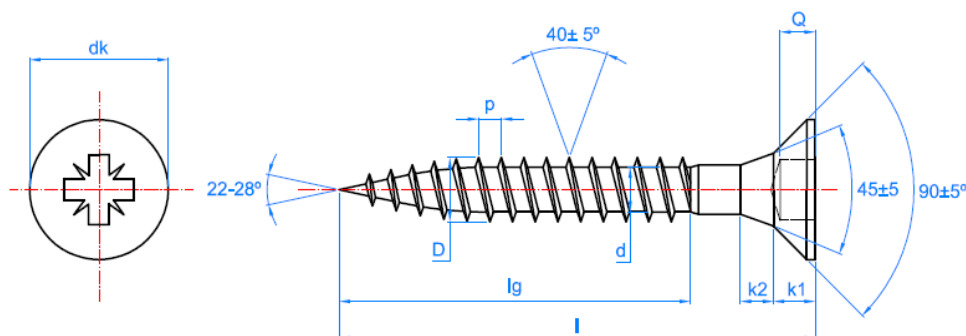
Countersunk head

S tip, pin

Installation Data

CODE		TPPO25	TPPO30	TPPO35	TPPO40	TPPO45	TPPO50	TPPO60
		TPPOZ25	TPPOZ30	TPPOZ35	TPPOZ40	TPPOZ45	TPPOZ50	TPPOZ60
d _k : head diameter	[mm]	5.0	6.0	7.0	8.0	9.0	10.0	12.1
D: outer thread diameter	[mm]	2.5	3.0	3.5	4.0	4.5	5.0	6.0
d: inner thread diameter	[mm]	1.6	1.9	2.2	2.5	2.7	3.0	3.6
p: pitch	[mm]	1.10	1.35	1.60	1.80	2.00	2.20	2.60
l: screw length	[mm]	10 - 25	12 - 40	16 - 50	16 - 70	20 - 80	20 - 120	40 - 220
l _g : thread max length	[mm]	Completa	Completa	Completa	60	60	60	60*
Pz recess		#1	#1	#2	#2	#2	#2	#3
Pz dopbit code			PUPOC01 PUPOL01	PUPOC01 PUPOL01	PUPOC02 PUPOL02	PUPOC02 PUPOL02	PUPOC02 PUPOL02	PUPOC02 PUPOL02

PLAN



*TPPOZ up to 110

** 75 mm thread length from TPPO60120

- Zinc plated yellow passivated.
- 90° countersunk head, 40° wood thread, Pz recess.
- S tip allows wood straight drill.
- Applications:
 - Fixing metallic drilled connectors on wood.
 - Fixing metallic drilled reinforcements on wood.
 - Fixing hard wood on wood.

2.2 TP-TO

Chipboard screw 90° countersunk head, thread 40°



Characteristics



Steel

Zinc plated yellow passivated

Properties



Hexalobular Tx

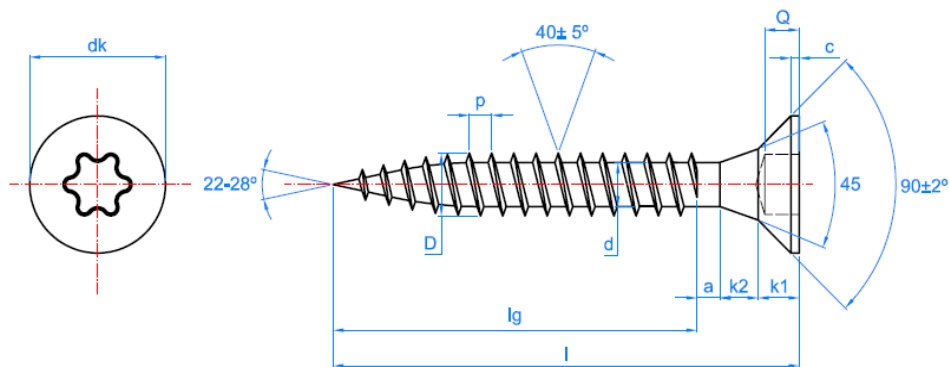
Countersunk head

S tip, pin

Installation Data

CODE		TPTO30	TPTO35	TPTO40	TPTO45	TPTO50	TPTO60
d _k : head diameter	[mm]	6.0	7.0	8.0	9.0	10.0	12.0
D: outer thread diameter	[mm]	3.0	3.5	4.0	4.5	5.0	6.0
d: inner thread diameter	[mm]	1.9	2.2	2.5	2.7	3.0	3.6
p: pitch	[mm]	1.35	1.60	1.80	2.00	2.20	2.60
l: screw length	[mm]	15 - 30	15 - 50	15 - 70	30 - 70	30 - 120	60 - 300
l _g : thread max length	[mm]	Completa	Completa	60	60	60*	60**
Hexalobular Tx recess		#10	#15	#20	#20	#25	#30
Hexalobular Tx recess dopbit code		PUTO010	PUTO015	PUTO020	PUTO020	PUTO025	PUTO030

PLANO



* 72 mm thread length for TPTO50120
 ** 72 mm thread length from TPTO60110

- Zinc plated yellow passivated.
- 90° countersunk head, 40° wood thread, S tip allows wood straight drill.
- Hexalobular ISO 10664 (Tx) recess allows higher torque than Pz.
- Applications:
 - Fixing metallic drilled connectors on wood.
 - Fixing metallic drilled reinforcements on wood.
 - Fixing wood on wood.

2.3 TP-A2

Chipboard screw countersunk 90° head, thread 40°



Characteristics



Stainless available

Properties



Pz



Countersunk head

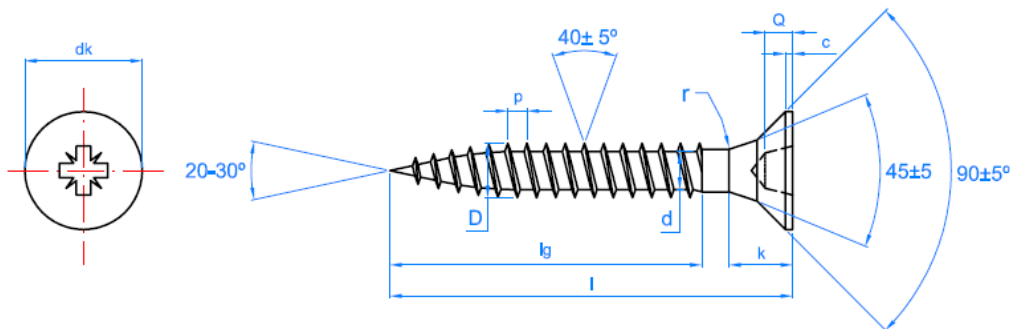


S tip, pin

Installation Data

CODE		TPA230	TPA235	TPA240	TPA245	TPA250
d _k : head diameter	[mm]	6.0	7.0	8.0	9.0	10.0
D: outer thread diameter	[mm]	3.0	3.5	4.0	4.5	5.0
d: inner thread diameter	[mm]	1.9	2.2	2.5	2.7	3.0
p: pitch	[mm]	1.35	1.60	1.80	2.00	2.20
l: screw length	[mm]	16 - 25	20 - 40	30 - 50	30 - 50	50 - 70
l _g : thread max length	[mm]	Full	Full	Full	Full	50
Pz recess		#1	#2	#2	#2	#2
Pz dopbit code		PUTO010	PUPOC01 PUPOL01	PUPOC02 PUPOL02	PUPOC02 PUPOL02	PUPOC02 PUPOL02

PLAN



- A2 stainless steel (AISI 304).
- 90° countersunk head, 40° wood thread, Pz recess..
- S tip allows wood straight drill.
- Applications:
 - Fixing metallic drilled connectors on wood.
 - Fixing metallic drilled reinforcements on wood.
 - Fixing hard wood on wood.

2.4 TP-BR

Chipboard screw 90° countersunk head, self-drilling, wider thread pitch



Characteristics



Steel



Zinc plated

Properties



Pz



Countersunk head

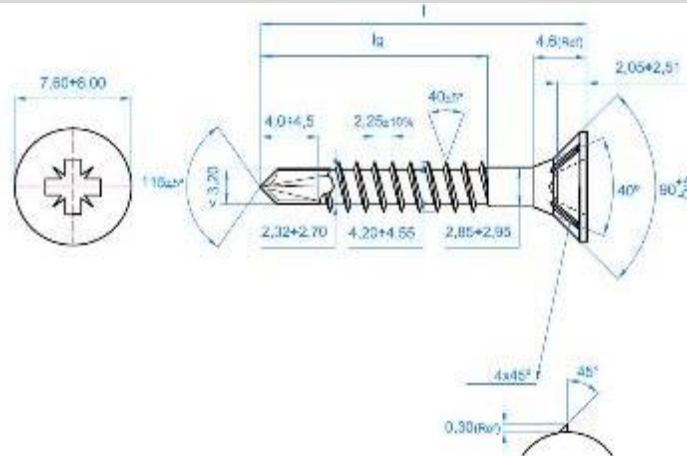


Self drilling

Installation Data

CODE		TPBR4325	TPBR4330	TPBR4335	TPBR4340	TPBR4345	TPBR4350	TPBR4360	TPBR4370
l: screw length	[mm]	25	30	35	40	45	50	60	70
l _g : thread max length	[mm]	Completa	20	23.3	26.7	30.0	33.3	40.0	46.7
Pz recess		#2							
Pz dopbit code		PUPOC02 / PUPOL02							

PLAN



- Zinc plated; Thread diameter: 4.3 mm; Lengths: 25 – 70 mm.
- 90 ° countersunk head. 40° wood thread, wide pitch, Pz #2 recess.
- Self drilling screw, able to drill hard woods (oak, etc.) with no damage, and covered woods (melamine, etc.).
- With ribs under the head for straight wood and coating countersink..
- Applications:
 - Fixing hard surface woods (melamine, etc.).
 - Avoids damage in hard woods when drilling (American oak, etc.).
 - Fixing metallic drilled connectors on wood near the edges.
 - Fixing wood on wood near the edge.

2.5 TR-PO

Chipboard screw panhead, thread 40°



Characteristics



Steel

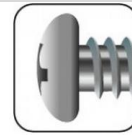


Zinc plated yellow passivated

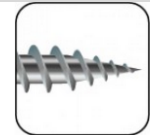
Properties



Pz



Panhead

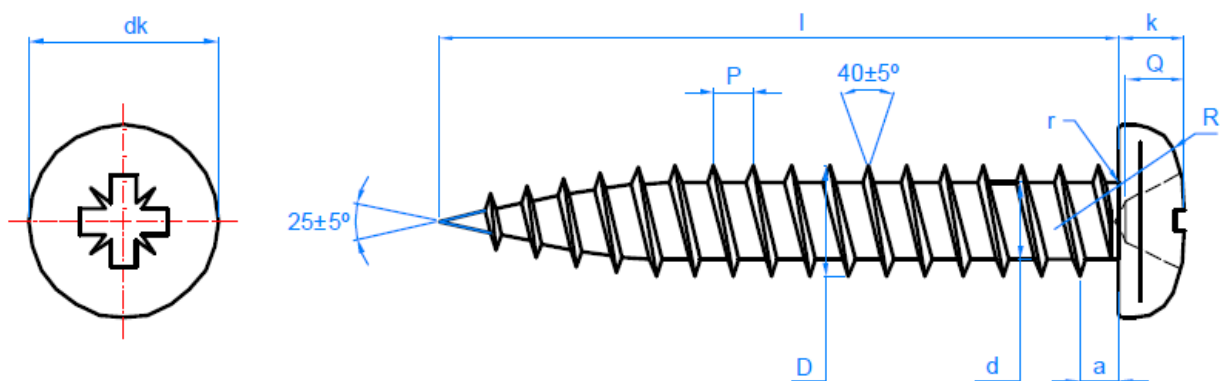


S tip, pin

Installation Data

CODIGO		TRPO30	TRPO35	TRPO40	TRPO45	TRPO50
d _k : head diameter	[mm]	6.0	7.0	8.0	9.0	10.0
D: outer thread diameter	[mm]	3.0	3.5	4.0	4.5	5.0
d: inner thread diameter	[mm]	1.9	2.2	2.5	2.7	3.0
p: pitch	[mm]	1.35	1.60	1.80	2.00	2.20
k: head thickness	[mm]	2.2	2.6	2.8	3.0	3.2
R: head radius	[mm]	5.0	6.5	7.9	9.2	9.5
l: screw length	[mm]	16 - 20	16 - 35	16 - 50	16 - 45	20 - 50
l _g : thread maximum length	[mm]	Full	Full	Full	Full	Full
Pz recess		#1	#2	#2	#2	#2
Pz dopbit code		PUPOC01 PUPOL01	PUPOC02 PUPOL02	PUPOC02 PUPOL02	PUPOC02 PUPOL02	PUPOC02 PUPOL02

PLAN



- Zinc plated yellow passivated.
- Panhead, 40° wood thread, S tip allows direct drill on wood.
- Empleo:
 - Fixing handles, power dopbit, shields, etc

2.6 ABA

Self drilling screw with wings, Ph countersunk head



Characteristics



Steel



Zinc plated



IPN Wood

Properties



Ph



Countersunk head

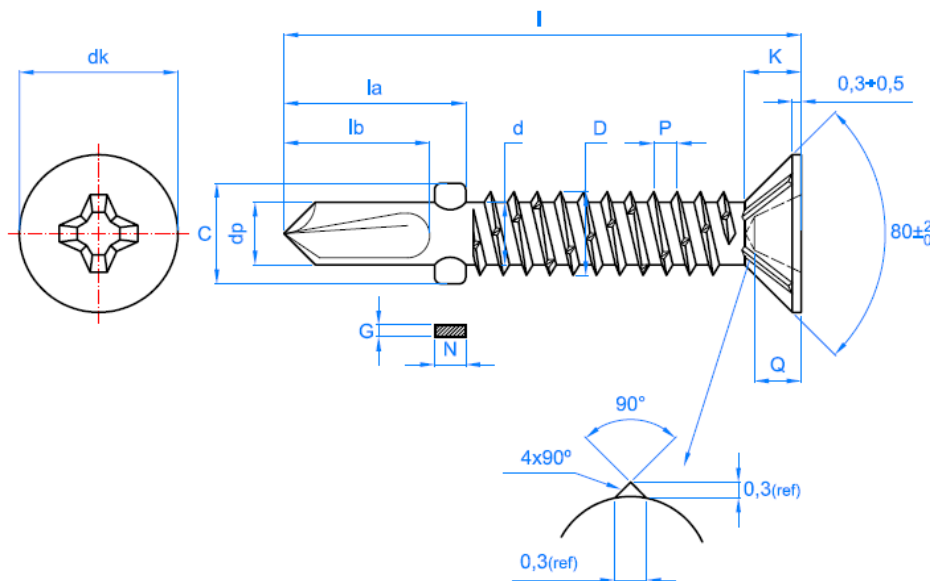


Self drilling tip with wings

Installation Data

CODIGO		ST 4.8	ST 5.5	ST 6.3
dk: head diameter	[mm]	9.50	10.80	12.40
k: head thickness	[mm]	3.15	4.27	4.81
Tx head		nº 2	nº 2	nº 3
Countersunk angle	°	80	80	80
Drill length	[mm]	10	12	13
D: outer thread diameter	[mm]	4.80	5.46	6.25
d: inner thread diameter	[mm]	3.58	4.17	4.88
p: pitch	[mm]	1.6	1.8	1.8
L: screw length	[mm]	32 - 50	38 - 65	60 - 85
Tx dopbit code		PUPHC02 / PUPHL02	PUPHC02 / PUPHL02	PUPHC03 / PUPHL03
Drill capacity	[mm]	1.75 - 4.00	1.75 - 5.00	2.50 - 6.00
Fixture thickness	[mm]	L - 18	L - 21	L - 22

PLAN



2.7 ATA

Self drilling screw with wings, Tx countersunk head



Characteristics



Steel



Zinc plated



IPN wood

Properties



Tx



Countersunk head

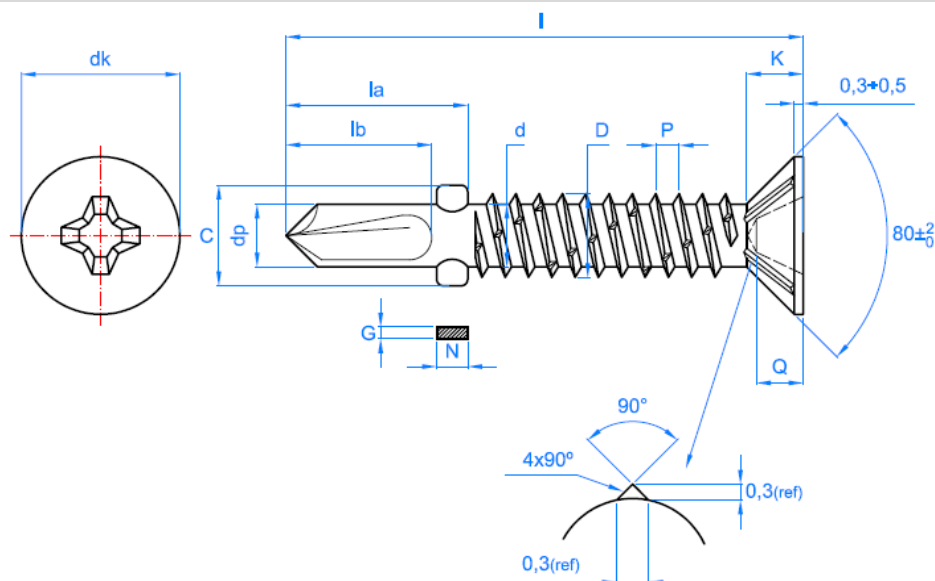


Self drilling tip with wings

Installation Data

CODIGO		ST 4.8	ST 5.5	ST 6.3
dk: head diameter	[mm]	9.50	10.80	12.40
k: head thickness	[mm]	3.15	4.27	4.81
Tx head		nº 2		
Countersunk angle	°	80	80	80
Drill length	[mm]	10	12	13
D: outer thread diameter	[mm]	4.80	5.46	6.25
d: inner thread diameter	[mm]	3.58	4.17	4.88
p: pitch	[mm]	1.6	1.8	1.8
L: screw length	[mm]	32 - 50	38 - 65	60 - 85
Tx dopbit code		PUTO025	PUTO025	PUTO030
Drill capacity	[mm]	1.75 - 4.00	1.75 - 5.00	2.50 - 6.00
Fixture thickness	[mm]	L - 18	L - 21	L - 22

PLAN



CHARACTERISTICS AND BENEFITS ABA/ATA

- Zinc plated.
- For fixing wood on metal (metal thickness > 1.75 mm).
- Both wings avoid the wood to be damaged by drilling a pilot hole.
With ribs under the head that countersunk the wood straight away, also melamine and other materials.

For assembling wood on metal, a hole in the wood is required with some space to avoid threading the wood before the drill in the strip is finished. Otherwise the drill tip could be burned, the wood broken or the fixing wood-strip unglued.

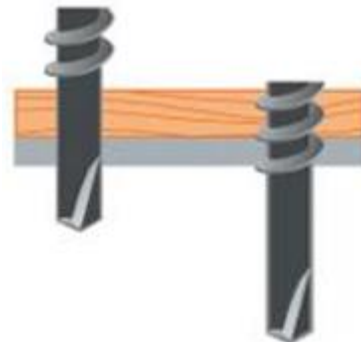
Take these precautions:

- Drill previously a hole bigger than thread's diameter.
- Use an extra-large self drilling screw (non commercial).
- Use a self drilling screw with two wings: the reamer created on the wood has a bigger diameter than thread so that this does not touch the wood. Wings and thread will break in contact with metal.

Standard drilling screw. The wood breaks.



Extra large drilling bit crew. Not standard.



2 wings self drilling screw.

- Drills the wood.
- Wood ream + metal drill.
- Threads in the metal plate.



2.8 T-CLA

Nail screw for blinds



Characteristics



Steel



Zinc plated



Hammer needed

Properties



Pz with slot



Panhead

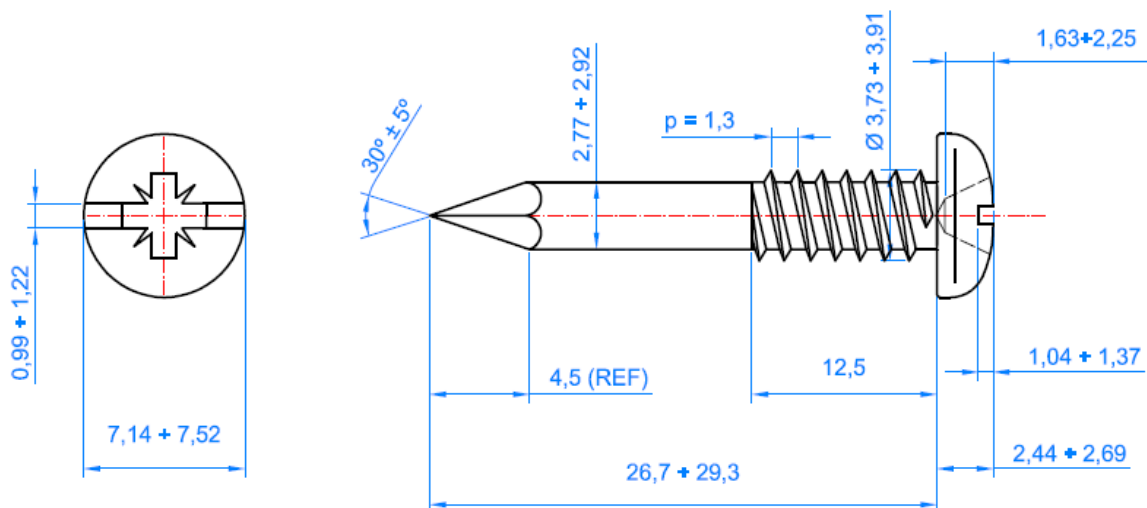


Diamond tip

Installation Data

Code	Screw diameter [mm]	Screw length [mm]	Recess	Pz dopbit code
TCLA3928	3.9	28	PZ2	PUPOC02 / PUPOL02

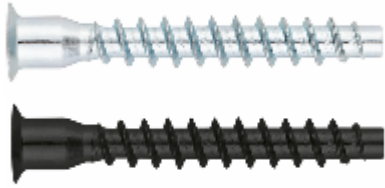
PLAN



- Zinc plated.
- Pz #2 recess with slot.
- Pz dopbit PUPOC02, PUPOL02.
- Self tapping thread 60° .
- Nail tip.
- Application:
 - Venetian-blind fastening

2.9 TRE-Z / TRE-PV

Assembly Screw



Characteristics



Steel



Zinc plated

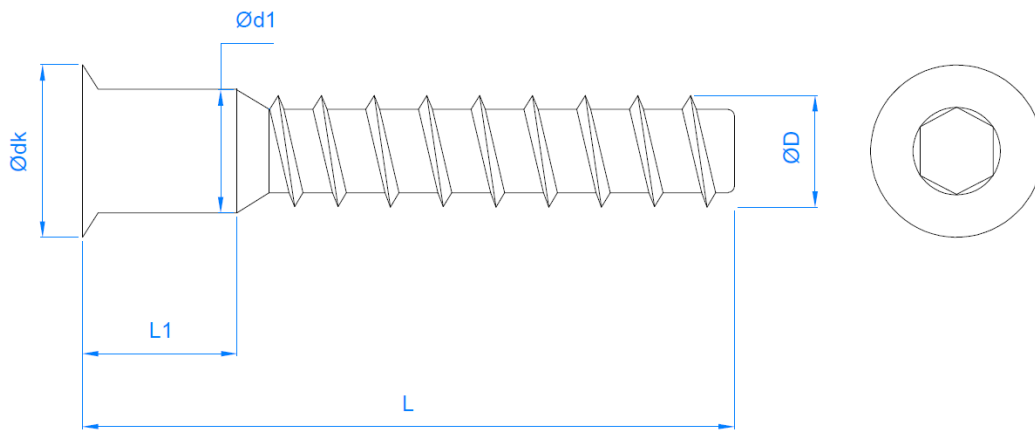


Black oxidation

Installation Data

CODE	SIZE	ØD	L	L1	Ødk	Ød1	Installation Tool
TREZ05050	5 x 50	5.0	50,0	7,0	7,5	4,8	Allen 3
TREPV05050	5 x 50	5.0					
TREZ07050	7 x 50	7.0			10,0	6,8	Allen 4
TREPV07050	7 x 50	7.0					

PLAN



2.10 FS

Metal-wood roofing screw



Properties



Steel

Zinc-plated coating

Available in different colours

Base material



Metal plate - Wood

Properties



Hexagonal with embossed washer

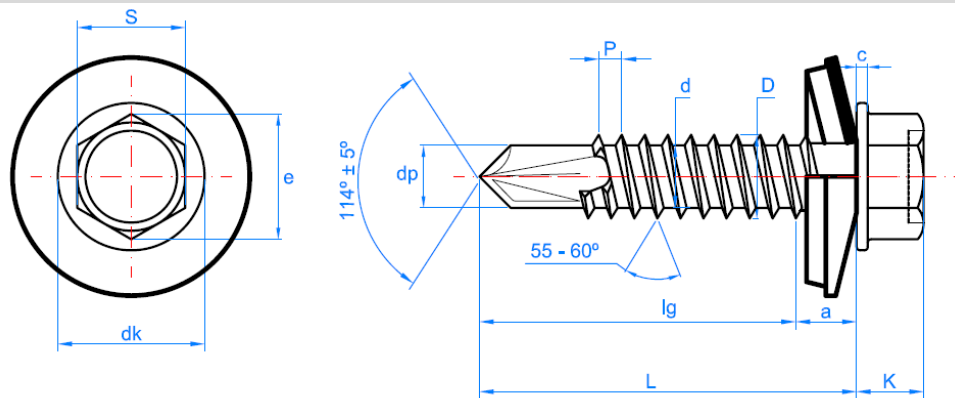
Hexagonal with embossed washer

Reduced screw point

Installation data

CODE		ST 4.8
d_k : washer head diameter	[mm]	10
k: head thickness	[mm]	4.9
c: washer thickness	[mm]	1.1
s: spanner	[mm]	8
D: exterior thread diameter		4.80
d: interior thread diameter	[mm]	3.30
p: thread	[mm]	2.1
l: lengths	[mm]	19 – 35
l_G : maximum thread length	[mm]	Completa
Installation bit code (hexagonal magnetic bit)		BOCA008
Drill capacity	[mm]	1.50 máx

DRAWING



- Zinc-plated finish with lacquered head and washer.
- For use in metal-wood fixings.



2.11 COLOURED CUPS FOR HEAD SCREWS

Available coloured cups to decorate head screws:

- **TTPAD:** Adherent cups 14 mm. diameter for thin head screws:

- TTPADBL: White
- TTPADBE: Beige
- TTPADGR: Grey
- TTPADNE: Black
- TTPADPI: Pine
- TTPADRO: Oak
- TTPADCA: Mahogany
- TTPADNO: Walnut
- TTPADHA: Beech
- TTPADSA: Sapele
- TTPADCE: Cherry wood



- **TTP:** Plastic cups for Pz recess #2, diameter 12.5 mm:

- TTPBLA: White
- TTPMAR: Brown



- **ATAPO:** Plastic cups for 8 and 10 mm. hexagonal heads:

Code		RAL	Colour
ATAPO08AR	ATAPO10AR	RAL 1.001	Sand
ATAPO08RC	ATAPO10RC	RAL 3.003	Coral red
ATAPO08RT	ATAPO10RT	RAL 3.011	Tile red
ATAPO08VN	ATAPO10VN	RAL 6.028	Navarre green
ATAPO08BP	ATAPO10BP	RAL 9.010	Pyrenees white
ATAPO08NE	ATAPO10NE	RAL 9.005	Black intense
ATAPO08BO	ATAPO10BO	RAL 9.002	Oyster white



- **Application:**
Ornamental finish, avoiding the head of the screw to be seen when fixed on wood.