

TU-RX A2

PRODUCT DESCRIPTION

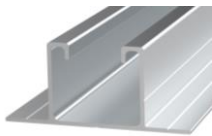
- INDEXTRUT quick nut. Stainless steel A2.

CHARACTERISTICS

- Quick nut with plastic wings for the attachment of elements to aluminium solar profiles and steel perforated solar guides that are compatible with INDEXTRUT accessories.
- Pre-assembled.
- Includes one INDEXTRUT M8 guide nut in stainless steel A2-70.
- Includes one winged plastic body in UV radiation resistant LLDPE.
- For outside use.
- Quick, stable positioning on groove by rotating 90°, facilitating adjustment during panel installation.
- Toothed and grooved guide nut which facilitates adjustment of the longitudinal position.
- Reliable attachment thanks to the shape of the plastic body which prevents incorrect positioning of the guide nut.
- Retractable wings within the attachment groove with tabs that facilitate the turning of the nut during positioning.
- Maintains its position after removing attached elements, facilitating maintenance.



ASSEMBLY APPLICATIONS/ACCESSORIES



PSA-A



PSA-AV



PSE-A



GP-XS

Used to attach components to structural elements with a groove compatible with INDEXTRUT accessories, providing an M8 female attachment point to any longitudinal position in the groove.

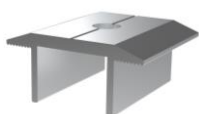
It can be mounted on the **GP-XS** "INDEXTRUT solar perforated guide" or on any aluminium profile from the solar range, **PSA-A** "winged solar profile", **PSA-AV** "winged solar profile for direct fixing on valley" **PSE-A** "solar profile for assembled fixing".

Positioned in the groove by introducing the guide nut in the interior and turning the piece 90° clockwise. This ensures that the positioning of the nut is stable. It can be moved lengthwise along the groove without the need for tools.

We recommend that DIN-6921 M8 bolts in stainless steel A2-70 are used to attach elements on guide nuts, with a maximum recommended tightening torque of 14 N / m.

When used in the installation of solar panels, each quick nut should be mounted using the following accessories:

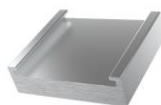
- One **6921I08070** "Screw DIN-6921 Hexagonal flanged bolt with serrations" in stainless steel A2-70.
- One **PGSA26** "simple clamp" in aluminium.



PGSA26



6921I08070

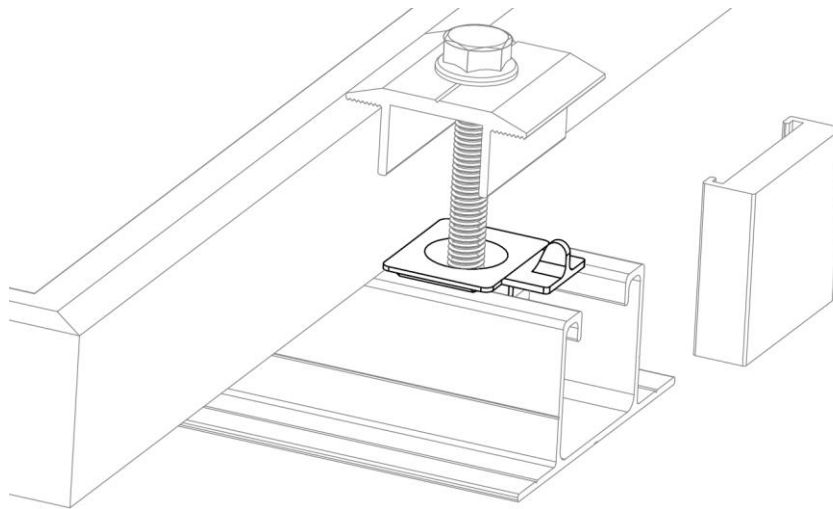


GM-A

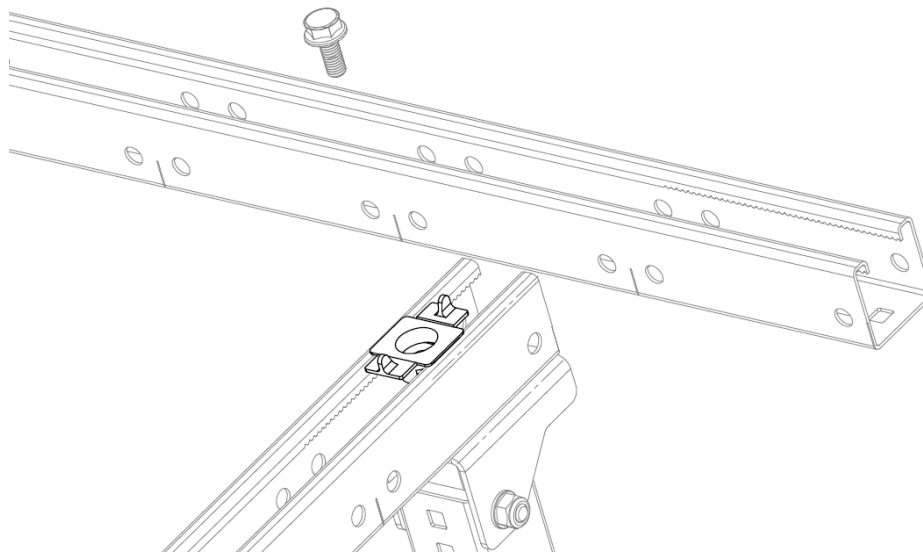
If mounting at the end of a line that is only supported on one side on a solar panel, the following assembly accessory will be needed:

- One **GM-A** "aluminium gauge for solar frame". The gauge size should be the same height as the solar panel frame.

APPLICATION EXAMPLES






Application example 1: mounting of a PGSA26 simple clamp at the end of the line on a PSA-A profile.



Application example 1: Mounting on a GP-XS INDETRUT solar perforated guide on a TRPXS412515 triangle.

1. RANGE

ITEM	CODE	PHOTO	DESCRIPTION	METRIC	MATERIALS
1	TURXA208		INDETRUT quick nut. Stainless steel A2	M8	<div style="text-align: center;">  A2 INOX AISI 304 </div> <div style="text-align: center;">  PE LLDPE+UV resist </div>

2. INSTALLATION INFORMATION

2.1 TU-RX A2

INDEXTRUT quick nut. A2 stainless steel

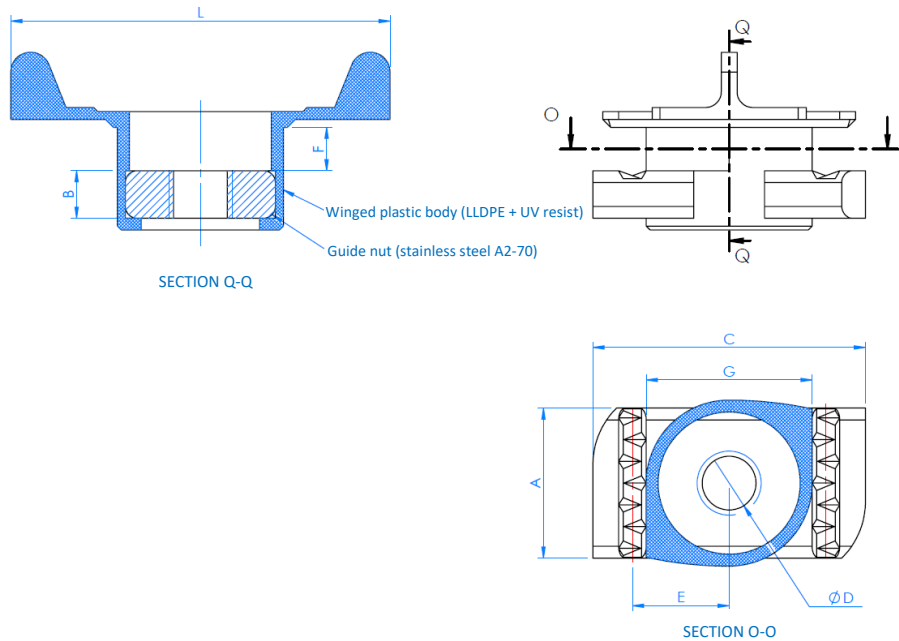


Material-1	Compatible			
<p>A2 INOX AISI 304</p>	<p>PSA-A Winged aluminium profile</p>	<p>PSA-AV Winged aluminium profile for direct fixing on valley</p>	<p>PSE-A Aluminium profile for assembled fixing</p>	<p>GP-XS INDEXTRUT solar perforated guide.</p>
Material-2	Accessories			
<p>PE LLDPE+UV resist</p>	<p>PGSA26 Simple clamp</p>	<p>6921108070 DIN-6921 bolt. Stainless steel A2-70</p>	<p>GM-A Aluminium gauge for solar panel frame</p>	

Measurement table

Code	A (mm)	B (mm)	C (mm)	D	E (mm)	F (mm)	G (mm)	L (mm)
TURXA208	19	6	35	M8	12.5	6	21	48

Drawing



Mechanical properties of the material

	Yield strength $F_{y0.2}$ (N/mm ²)	Ultimate load F_u (N/mm ²)	Elastic modulus E (N/mm ²)	Transverse elastic modulus G (N/mm ²)	Linear expansion coefficient α ($\mu\text{m}/\text{C}^\circ$)	Specific weight ρ (kg/m ³)
A2-70 stainless steel	450	700	200,000	81,000	17.3	7,930

Installation table

Code	Guide rail/Profile	Installation tightening torque (Nm)	Extraction load N_{Rd} (kN)
TURXA208	GPXS4115	14	4.80
TURXA208	PSA-A	14	3.89
TURXA208	PSA-AV	14	3.89
TURXA208	PSE-A	14	3.05