

BN

Denomination: **NYLON CABLE TIES**

Codes: **BN, BB, BC, TACOBRI, BID, BPL, BBANE**

Reference: **FT BN-en**

Date: **01/07/19**

Revision: **7**

Page: **1 of 9**



BN-N



BN-VE



BN-AM



BN-RO



BN-GR



BN-BA



BN-PL



BN-B



BN-MA



BN-AZ



BN-ID



TACOBRI N / TACOBRI B / TACOBRI G

CHARACTERISTICS

- Dented nylon cables ties made of polyamide 6.6 for the fixing of wire-tree attachments, sockets, pipes and packaging.
- Available accessories: identification cable ties, two way bases with adhesive, identification plaque badges.
- In white, black or colours
- Black nylon cable ties manufactured with polyamide and black carbon: for external applications (higher resistance to ultraviolet radiation).
- High resistance to alkaline, oils, fats, oil products, chlorinated solvents.
- Limited resistance to acids.
- No resistance to tar acids.
- Halogen free resins.
- According to standard UNE-EN 62275.
- UL-Approved cable ties according to Regulation No. E343871.
- CE approval according to 2006/95/EC regulation.

BASE MATERIAL

**BN-N/B/VE/MA/AM/
AZ/RO/PL/ID**



TACOBRI B/N/GR



BN-BA



BN

Denomination: **NYLON CABLE TIES**

Codes: **BN, BB, BC, TACOBRI, BID, BPL, BBANE**

Reference: **FT BN-en**

Date: **01/07/19**

Revision: **7**

Page: **2 of 9**

1. RANGE

ITEM	CODE	SIZES	PHOTO	COLOR	MATERIAL	CERTIFICATE
1	BN-N	From 2,5 x 80 to 12,5 x 1000 mm		BLACK		
2	BN-B	From 2,5 x 80 to 12,5 x 1000 mm		WHITE		
3	BN-VE	From 2,5 x 100 to 4,8 x 290 mm		GREEN (PANTONE 3308-C)		--
4	BN-MA	From 2,5 x 100 to 4,8 x 290 mm		BROWN (PANTONE 476-C)		--
5	BN-AM	From 2,5 x 100 to 4,8 x 290 mm		YELLOW (RAL 1021)		--
6	BN-AZ	From 2,5 x 100 to 4,8 x 290 mm		BLUE (RAL5010)		--
7	BN-RO	From 2,5 x 100 to 4,8 x 290 mm		RED (RAL3000)		--
8	BN-GR	From 2,5 x 100 to 4,8 x 290 mm		GREY (RAL7035)		--
9	BN-ID	From 2,5 x 110 to 2,5 x 210 mm		WHITE		--
10	BN-BA	De 19 x 19 hasta 27 x 27 mm		WHITE / BLACK		--
11	BN-PL	26,4 x 16,2 mm		WHITE		--
12	TACOBRI B	From Ø6 to Ø8 mm		WHITE		--
13	TACOBRI N	From Ø6 to Ø8 mm		BLACK		--
14	TACOBRI GR	Ø8 mm		GREY		--

BN

Denomination: **NYLON CABLE TIES**

Codes: **BN, BB, BC, TACOBRI, BID, BPL, BBANE**

Reference: **FT BN-en**

Date: **01/07/19**

Revision: **7**

Page: **3 of 9**

2. INSTALLATION DATA

2.1 BN-N/BN-B

Black and White nylon cable ties



Characteristics



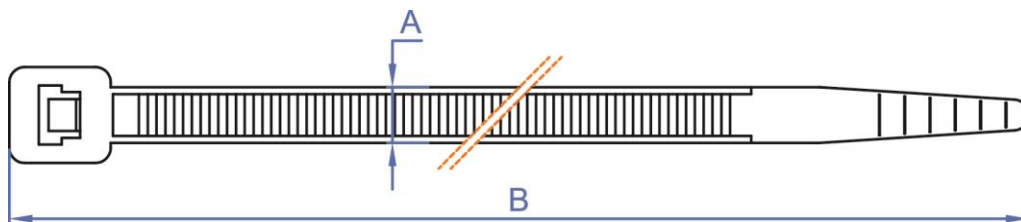
Polyamide 6.6



CE Marked and UL Certificate

Installation Data

CODIGO		A: Width [mm]	B: Length [mm]	Tension resistance ≥ [N]
BLACK NYLON CABLE TIES	BLACK NYLON CABLE TIES			
BB25080	BN25080	2,5	80	79
BB25100	BN25100		100	
BB25140	BN25140		140	
BB25160	BN25160		160	
BB25200	BN25200		200	
BB36140	BN36140	3,6	140	178
BB36200	BN36200		200	
BB36300	BN36300		300	
BB36370	BN36370		370	
BB48120	BN48120	4,8	120	218
BB48160	BN48160		160	
BB48180	BN48180		180	
BB48200	BN48200		200	
BB48250	BN48250		250	
BB48290	BN48290		290	
BB48370	BN48370		370	
BB48430	BN48430		430	
BB76150	BN76150	7,6	150	534
BB76200	BN76200		200	
BB76290	BN76290		290	
BB76370	BN76370		370	
BB76450	BN76450		450	
BB76540	BN76540		540	
BB88770	BN88770	8,8	770	779
BB12225	BN12225	12,5	225	1200
BB12500	BN12500		500	
BB12720	BN12720		720	
BB12850	BN12850		850	
BB12100	BN12100		1000	



BN

Denomination: **NYLON CABLE TIES**

Codes: **BN, BB, BC, TACOBRI, BID, BPL, BBANE**

Reference: **FT BN-en**

Date: **01/07/19**

Revision: **7**

Page: **4 of 9**

Raw material properties

Humidity absorption:	2.5% (23°C, 50% HR)
Working temperature	-40 a +85°C
Installation temperature	-10 a +85 °C
Maximum permissible temperature	+110 °C short term period
Melting point	+260 °C
Oxygen index limit (LOI)	27 %
Flammability ratio	UL94 class V2
Dielectric resistance	50.000 volts/mm
Halogen free resin	Yes
Resistance to UV radiation	White ties: no Black ties: si

Application Examples



BN

Denomination: **NYLON CABLE TIES**

Codes: **BN, BB, BC, TACOBRI, BID, BPL, BBANE**

Reference: **FT BN-en**

Date: **01/07/19**

Revision: **7**

Page: **5 of 9**

2.2 BN-VE/MA/AM/AZ/RO

Coloured nylon cable ties



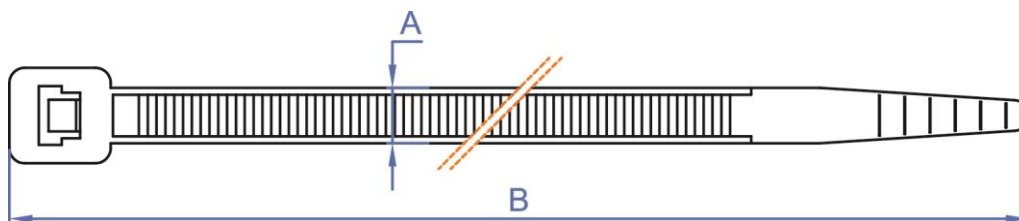
Characteristics



Polyamide 6.6

Installation Data

CODE	Color	A: Width [mm]	B: Length [mm]	Tension resistance \geq [N]
BC25100VE	GREEN (PANTONE 3308-C)	2,5	100	79
BC36140VE		3,6	140	178
BC36200VE		200	178	
BC48200VE		200	218	
BC48290VE		4,8	290	218
BC25100MA	BROWN (PANTONE 476-C)	2,5	100	79
BC36140MA		3,6	140	178
BC36200MA		200	178	
BC48200MA		200	218	
BC48290MA		4,8	290	218
BC25100AM	YELLOW (RAL 1021)	2,5	100	79
BC36140AM		3,6	140	178
BC36200AM		200	178	
BC48200AM		200	218	
BC48290AM		4,8	290	218
BC25100AZ	BLUE (RAL5010)	2,5	100	79
BC36140AZ		3,6	140	178
BC36200AZ		200	178	
BC48200AZ		200	218	
BC48290AZ		4,8	290	218
BC25100RO	RED (RAL3000)	2,5	100	79
BC36140RO		3,6	140	178
BC36200RO		200	178	
BC48200RO		200	218	
BC48290RO		4,8	290	218
BC25100GR	GREY (RAL7035)	2,5	100	79
BC36140GR		3,6	140	178
BC36200GR		200	178	
BC48200GR		200	218	
BC48290GR		4,8	290	218



BN

Denomination: **NYLON CABLE TIES**

Codes: **BN, BB, BC, TACOBRI, BID, BPL, BBANE**

Reference: **FT BN-en**

Date: **01/07/19**

Revision: **7**

Page: **6 of 9**

2.3 BN-ID

Identification nylon cable tie

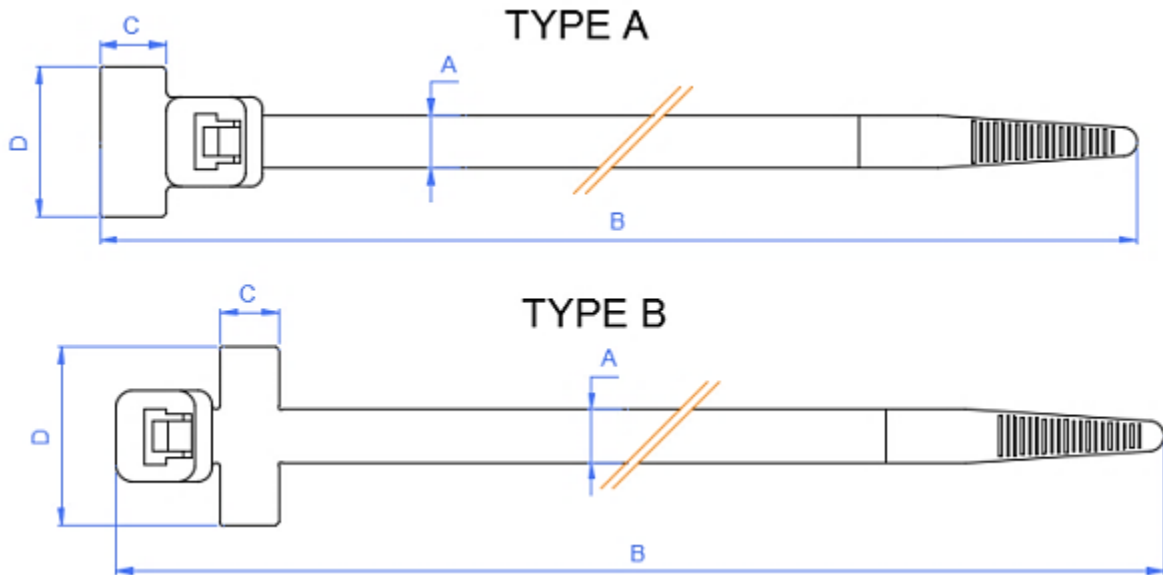
Characteristics



Polyamide 6.6

Installation Data

CODE	A: Tie width [mm]	B: Tie length [mm]	C: Identification width [mm]	D: Identification length [mm]
BID25110	2,5	110	9,2	20,2
BID25210		210	8,1	25,1



BN

Denomination: **NYLON CABLE TIES**

Codes: **BN, BB, BC, TACOBRI, BID, BPL, BBANE**

Reference: **FT BN-en**

Date: **01/07/19**

Revision: **7**

Page: **7 of 9**

2.4 BN-BA

Two-way, adhesive base for nylon cable ties



Characteristics

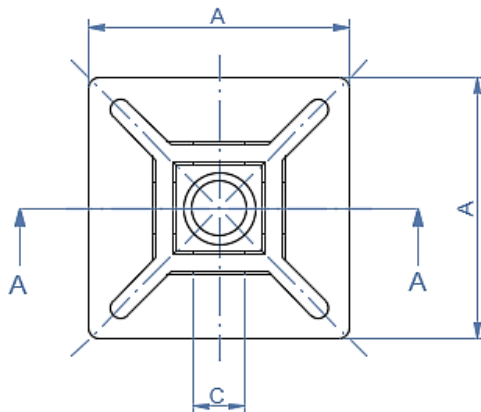


Polyamide 6.6

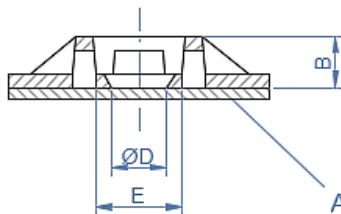
Installation Data

CODE	Color	A: Base width [mm]	B: Base length [mm]	C: Maximum tie width ≤ [mm]	ØD: Hole diameter [mm]	Type
BBANA19	White	19	5	4,8	6,8	A
BBANA27		27,5	5,25	5,2	5,8	B
BBANE19	Black	19	5	4,8	6,8	A
BBANE27		27,5	5,25	5,2	5,8	B

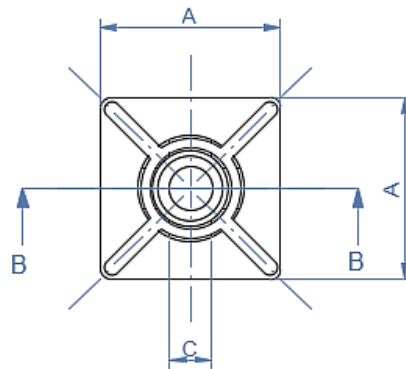
TYPE B



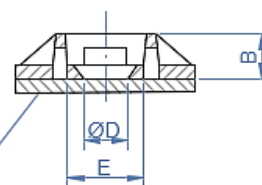
Sección A-A



TYPE A



Sección B-B



Adhesivo / Adhesive

BN

Denomination: **NYLON CABLE TIES**

Codes: **BN, BB, BC, TACOBRI, BID, BPL, BBANE**

Reference: **FT BN-en**

Date: **01/07/19**

Revision: **7**

Page: **8 of 9**

2.5 BN-PL

Identification plaque for nylon cable ties



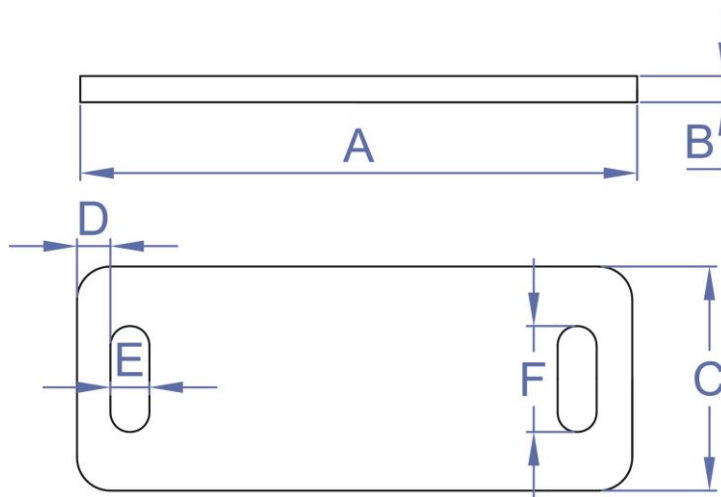
Characteristics



Polyamide 6.6

Installation Data

CODE	A [mm]	B [mm]	C [mm]	D [mm]	E [mm]	f [mm]
BPL02616	26,4	16,2	1	2	2	5



BN

Denomination: **NYLON CABLE TIES**

Codes: **BN, BB, BC, TACOBRI, BID, BPL, BBANE**

Reference: **FT BN-en**

Date: **01/07/19**

Revision: **7**

Page: **9 of 9**

2.6 TACOBRI B/N

Plug cable tie support



Characteristics



Polyamide 6.6

Installation Data

CODE	Color	∅ Drill bit diameter [mm]	Hole depth [mm]	A [mm]	B [mm]	C [mm]	D [mm]	E [mm]	L [mm]
TACOBRI6L6	White	6	45	12,75	12,75	9,5	3	6	40
TACOBRI6L8		8	45						43.5
TACOBRI6E6	Black	6	45						40
TACOBRI6E8		8	45						43.5
TACOBRI6R8	Gris	8	45						43.5

