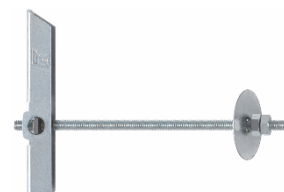




CA-BA



BA-GA



BA-ES



CA-PA



PA-GA



PA-ES

## CHARACTERISTICS

- Gravity toggle for fixing lightweight in ceilings.
- Spring toggle for fixing lightweight in ceilings.
- Both elements are available with projecting bolt and hook of easy installation.
- Gravity toggle useful for plasterboard and hollow.
- Spring toggle useful for plasterboard, hollow concrete and plaster.
- Steel EN10130-DC01+A-m and steel SAE 1010 with zinc coatings.









## BASE MATERIAL



## APPLICATION EXAMPLES



## 1.RANGE

ITEM	DENOMINATION	PHOTO	MATERIAL	COATING
1	CA-BA		Steel EN10130-DC01+A-m	 Zinc plated $\geq 5\mu\text{m}$ ISO 4042 A2J
2	BA-GA		Steel EN10130-DC01+A-m	 Zinc plated $\geq 5\mu\text{m}$ ISO 4042 A2J
3	BA-ES		Steel EN10130-DC01+A-m	 Zinc plated $\geq 5\mu\text{m}$ ISO 4042 A2J
4	CA-PA		Steel SAE 1010	 Zinc plated $\geq 5\mu\text{m}$ ISO 4042 A2J
5	PA-GA		Steel SAE 1010	 Zinc plated $\geq 5\mu\text{m}$ ISO 4042 A2J
6	PA-ES		Steel SAE 1010	 Zinc plated $\geq 5\mu\text{m}$ ISO 4042 A2J

## 2. INSTALLATION DATA

### 2.1 CA-BA

#### Gravity toggle



#### Properties



Steel



Zinc plated coating

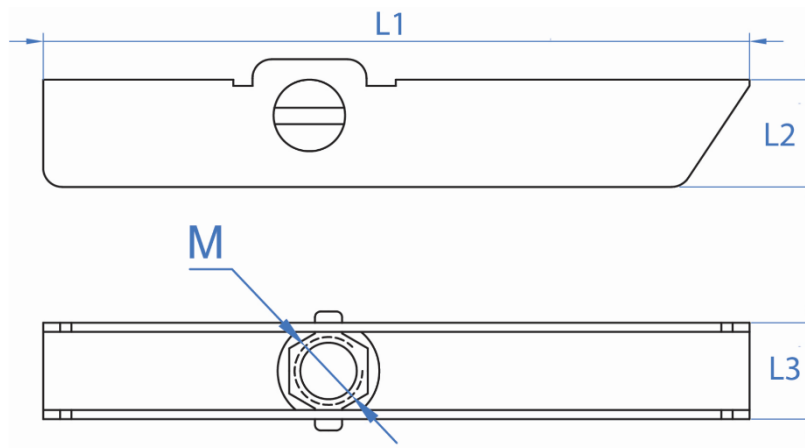


Patent

#### SIZES

CODE		CABA004	CABA005	CABA006	CABA008
M: $\emptyset$ thread	[mm]	M4	M5	M6	M8
L1: Total length	[mm]	65	65	70	80
L2: Height	[mm]	10.7	10.7	12.0	16.8
L3: Width	[mm]	7.7	7.7	9.0	12.2
Threaded rod *		975ZM04	975ZM05	975ZM06	975ZM08
d0: drill diameter	[mm]	14	14	16	20
h: cavity depth $\geq$	[mm]	70	70	75	85

#### DRAWING



#### MAXIMUM RECOMMENDED LOAD [kg]

USE MATERIAL	CABA004	CABA005	CABA006	CABA008
Concrete cage	10	12	13	14
Plasterboard	5	5	6	6
Plaster	5	5	6	6

\* The rod is not affected by the rocker head.

**2.2 BA-GA**

**Spring toggle**



**Properties**



Steel



Zinc plated coating

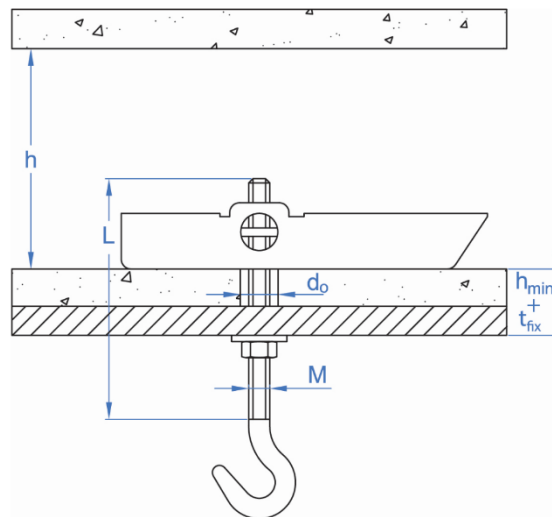


Patent

**SIZES**

CODE		BAGAM04	BAGAM05	BAGAM06	BAGAM08
M: $\varnothing$ thread	[mm]	M4	M5	M6	M8
L: Total length	[mm]	77	80	87	95
h: Minimum cavity	[mm]	70	70	75	85
$H_{min} + t_{fix} \leq$	[mm]	74	72	68	60
Threaded rod *		975ZM04	975ZM05	975ZM06	975ZM08
d0: drill diameter	[mm]	14	14	16	20

**DRAWING**

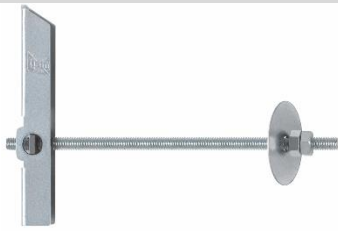


**MAXIMUM RECOMMENDED LOAD [kg]**

USE MATERIAL	BAGAM04	BAGAM05	BAGAM06	BAGAM08
Concrete cage	10	12	13	14
Plasterboard	5	5	6	6
Plaster	5	5	6	6

**2.3 BA-ES**

**Projecting bolt**



**Properties**



Steel



Zinc plated coating

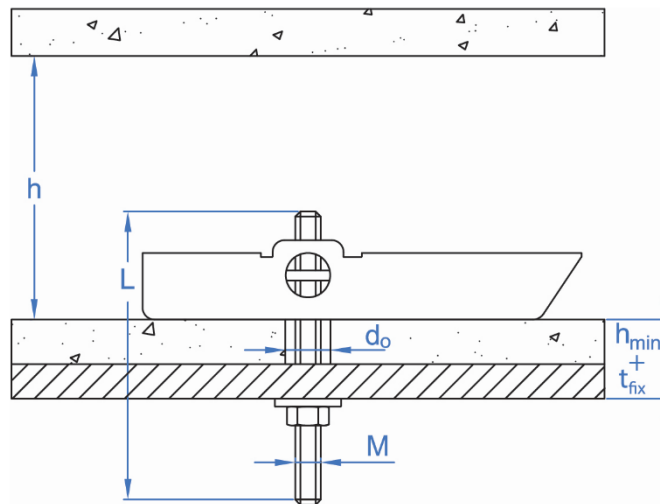


Patent

**SIZES**

CODE		BAESM04	BAESM05	BAESM06	BAESM08
M: $\varnothing$ thread	[mm]	M4	M5	M6	M8
L: Total length	[mm]	100	100	100	100
h: Minimum cavity	[mm]	70	70	75	85
$H_{min} + t_{fix} \leq$	[mm]	74	72	68	60
Threaded rod *		975ZM04	975ZM05	975ZM06	975ZM08
d0: drill diameter	[mm]	14	14	16	20

**DRAWING**



**MAXIMUM RECOMMENDED LOAD [kg]**

USE MATERIAL	BAESM04	BAESM05	BAESM06	BAESM08
Concrete cage	10	12	13	14
Plasterboard	5	5	6	6
Plaster	5	5	6	6

**2.4 CA-PA**

**Spring toggle head**



**Properties**



Steel



Zinc plated coating

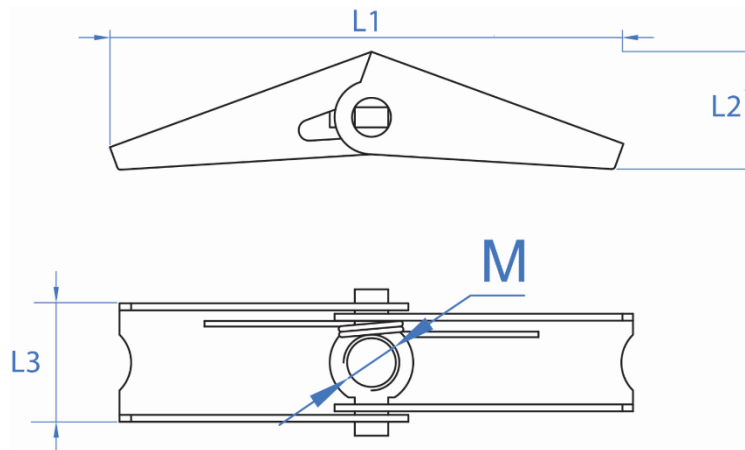


Patent

**SIZES**

CODE		CAPA004	CAPA005	CAPA006	CAPA008
M: Ø thread	[mm]	M4	M5	M6	M8
L1: Total length	[mm]	39	50	55	76
L2: Height	[mm]	10	12	14	16
L3: Width	[mm]	9	12	15	17
Threaded rod *		975ZM04	975ZM05	975ZM06	975ZM08
d0: drill diameter	[mm]	12	15	18	22
h: cavity depth	[mm]	26	33	37	54

**DRAWING**



**MAXIMUM RECOMMENDED LOAD [kg]**

USE MATERIAL	CAPA004	CAPA005	CAPA006	CAPA008
Concrete cage	10	12	13	14
Plasterboard	5	5	6	6
Plaster	5	5	6	6

\* The rod is not affected by the rocker head.

**2.5 PA-GA**

**HOOK**



**Properties**



Steel



Zinc plated coating

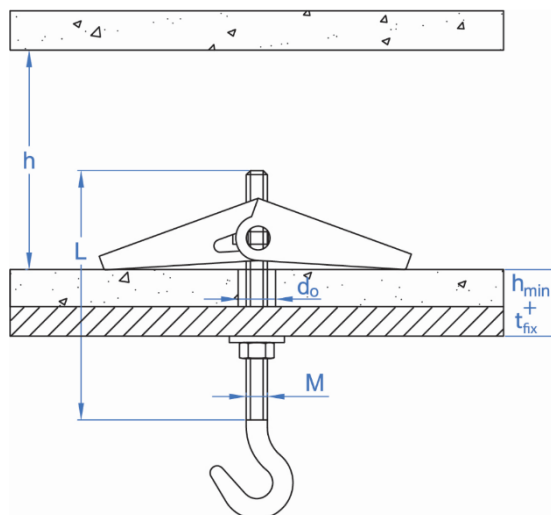


Patent

**SIZES**

CODE		PAGAM04	PAGAM05	PAGAM06	PAGAM08
M: $\varnothing$ thread	[mm]	M4	M5	M6	M8
L: Total length	[mm]	55	65	80	85
h: Minimum cavity	[mm]	26	33	37	54
$H_{min} + t_{fix} \leq$	[mm]	75	70	66	61
Threaded rod *		975ZM04	975ZM05	975ZM06	975ZM08
d0: drill diameter	[mm]	12	15	18	22

**DRAWING**



**MAXIMUM RECOMMENDED LOAD [kg]**

USE MATERIAL	PAGAM04	PAGAM05	PAGAM06	PAGAM08
Concrete cage	10	12	13	14
Plasterboard	5	5	6	6
Plaster	5	5	6	6

**2.6 PA-ES**

**Projecting bolt**



**Propiedades**



Steel



Zinc plated coating

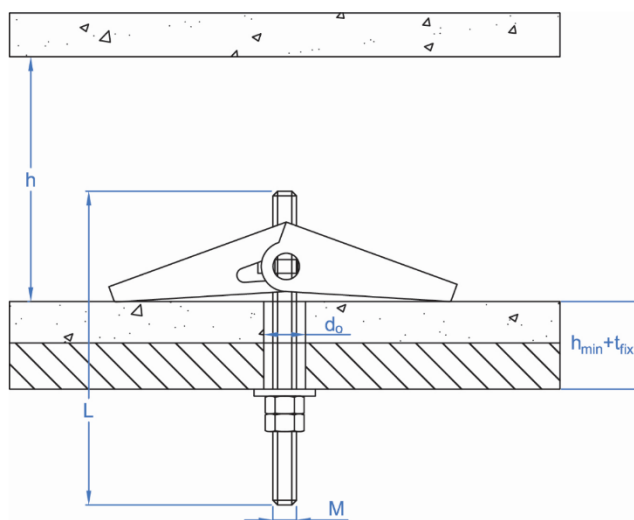


Patent

**SIZES**

CODE		PAESM04	PAESM05	PAESM06	PAESM08
M: $\varnothing$ thread	[mm]	M4	M5	M6	M8
L: Total length	[mm]	100	100	100	100
h: Minimum cavity	[mm]	26	33	37	54
$h_{min} + t_{fix} \leq$	[mm]	75	70	66	61
Threaded rod *		975ZM04	975ZM05	975ZM06	975ZM08
d0: drill diameter	[mm]	12	15	18	22

**DRAWING**



**MAXIMUM RECOMMENDED LOAD [kg]**

USE MATERIAL	PAESM04	PAESM05	PAESM06	PAESM08
Concrete cage	10	12	13	14
Plasterboard	5	5	6	6
Plaster	5	5	6	6