

### TPA-P



### PRODUCT DESCRIPTION

- Strut profile for pre-assembled aluminium triangle.

### CHARACTERISTICS

- L-shaped profile used to brace inclined triangular aluminium structures to which solar panels are attached in order to strengthen them from lateral forces.
- Standardised product in EN AW 6063-T6 extruded aluminium.
- For outside use.
- For **assembled triangular aluminium mounting systems**.

### ASSESSMENTS



### APPLICATIONS/MOUNTING ACCESSORIES



TPA-R



TPA-A



TPA-C



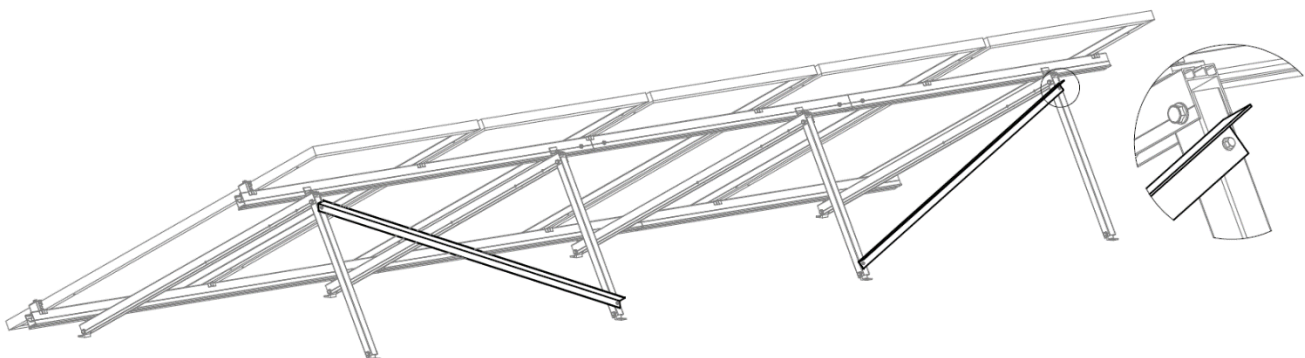
ABEI5519

To brace **assembled triangular aluminium mounting systems (TPA-P / TPA-A / TPA-C)**, and strengthen them from lateral forces.

Assembly uses two triangles connected by a diagonally-mounted **TPA-P** strut profile.

Strut profiles are diagonally attached to profile bars of the two corresponding **TPA-R** triangles using **ABEI5519** stainless steel A2-70 "DIN-7504-K self-drilling screws".

### APPLICATION EXAMPLES



Application example 1: Bracing of TPA-R triangles

### 1. RANGE

ITEM	CODE	PHOTO	DESCRIPTION	WIDTH	LENGTH	MATERIAL
1	TPAP352000		Strut profile for pre-assembled aluminium triangle	35 mm	2000 mm	 AW 6063-T6

### 2. INSTALLATION INFORMATION

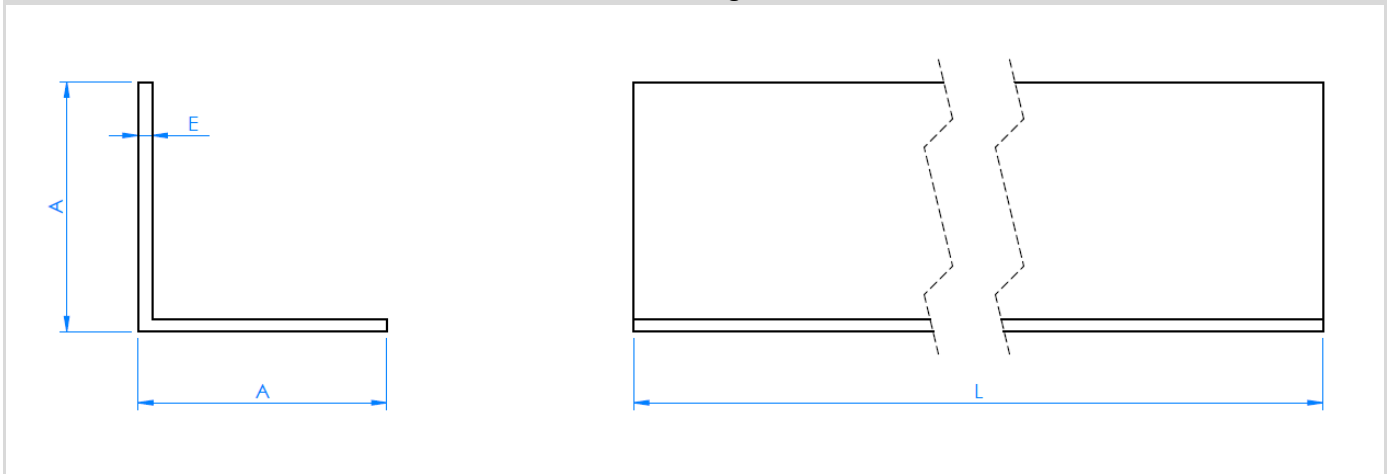
#### 2.1 TPA-P Strut profile for pre-assembled aluminium triangle

	Material	Compatible			Assembly accessories
	 6063-T6 aluminium				

#### Measurement table

Code	A (mm)	E (mm)	L (mm)
TPAP352000	35	2	2000

#### Drawing



#### Mechanical properties of the material

	Yield strength $F_{y0.2}$ (N/mm <sup>2</sup> )	Ultimate load $F_u$ (N/mm <sup>2</sup> )	Elastic modulus $E$ (N/mm <sup>2</sup> )	Transverse elastic modulus $G$ (N/mm <sup>2</sup> )	Linear expansion coefficient $\alpha$ ( $\mu\text{m}/\text{C}^\circ$ )	Specific weight $\rho$ (kg/m <sup>3</sup> )
EN AW6063-T6 aluminium	225	270	69,500	26,200	23.3	2,710

#### Mechanical properties of the profile.

	Area $S$ (cm <sup>2</sup> )	Moment of inertia $I_x$ (cm <sup>4</sup> )	Moment of inertia $I_y$ (cm <sup>4</sup> )	Section modulus $W_x$ (cm <sup>3</sup> )	Section modulus $W_y$ (cm <sup>3</sup> )	Linear weight $W$ (kg/m)
 TPA-P	1.27	1.64	1.64	0.64	0.64	0.35