

GP-XS



PRODUCT DESCRIPTION

- INDEXTRUT solar perforated guide. Atlantis C4-M

CHARACTERISTICS

- Perforated guide for installation of solar panels on roofs.
- Manufactured from **Atlantis® C4-M**-coated S280 steel.
- For outside use.
- Designed for coplanar and triangular assembly systems.
- Assembled, detachable and reusable fixing or direct fixing to roof with **TAC-N** or **TAC-B** stitching screw options available.
- Perforations on the base for attachment using square neck DIN-603 M8 bolts.
- Perforations on sides for the attachment of articulated joints that allow mounting on structures without the need for machining.
- Grooves with internal tothing to facilitate pre-assembly and the adjustment of the elements to be attached.
- Transversal cut lines marked every 125 mm.
- Standard INDEXTRUT 41 x 41 guide measurements.
- 1.5 mm-thick galvanised steel
- Central groove compatible with INDEXTRUT accessories.

APPLICATIONS/MOUNTING ACCESSORIES



KFRSC3050

These are used in **triangular and coplanar steel assembly systems** as structural elements onto which solar panels can be mounted and supported as continuous profiles as well as interrupted profiles on coplanar systems.

In order to attach solar panels to the guide, one of the following assembly accessories should be used:

1. **KFRSC3050** "quick pre-assembled clamp for solar panels - complete kit".
2. Reference numbers:
 - One **PGSA26** "single aluminium clamp for solar panels".
 - One **TURXA208** "INDEXTRUT quick nut, A2 stainless steel".
 - One **6921108070** DIN-6921 M8x70 all-thread bolt.



PGSA26



TURXA208



6921108070



EMPXS4115



D603I08016 + D6923IM08

In order to make the lengthwise connections between guides, use the assembly accessory **EMPXS4115** "INDEXTRUT solar connector", securing the attachment with four **D603I08016** "DIN-603 bolts" and four **D6923IM08** "DIN-6923 nuts", all in A2-70 stainless steel. The perforations on the bottom of the guides facilitate quick installation.



NUXSM0841



D603I08016 + D6923IM08

When assembling jointed structures, made-to-measure triangles may be used. Guides should be cut at the cut marks every 125 mm. To assemble structures, use the assembly accessory **NUXSM0841** "INDEXTRUT solar articulated joint", securing the attachment where necessary with two **D603I08016** "DIN-603 bolts" and two **D6923IM08** "DIN-6923 nuts", all in A2-70 stainless steel.

FIXING SYSTEM/ASSEMBLY ACCESSORIES

Mounting on adjustable fixing systems/Application examples 1 and 2

FIXING SYSTEM		PMO Plate for double threaded screw	ACCESSORIES		D6923IM08 DIN-6923 nut
		GS-TC/GS-TU Adjustable roof hooks for curved/universal tiles			STR Adjustable support for trapezoidal roof.

Mounting with direct fixing/Application example 3

FIXING SYSTEM		TAC-N/TAC-B Atlantis/Bimetal thin sheet screw	ACCESSORIES		CS-B Butylene adhesive sealing tape
---------------	--	---	-------------	--	---

Mounting on inclined structures/Application example 4

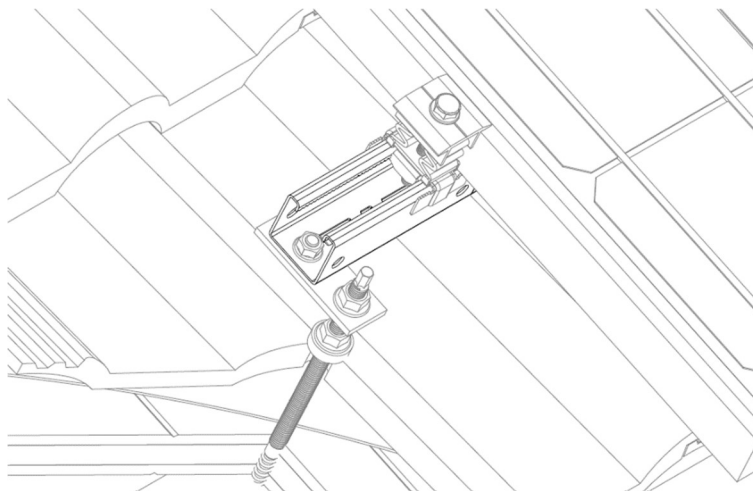
FIXING SYSTEM		TRP-XS Pre-assembled and adjustable triangle INDETRUT	ACCESSORIES		TURXA208 INDETRUT quick nut
					6921I08020 DIN-6921 bolt

BASE MATERIAL/FIXING

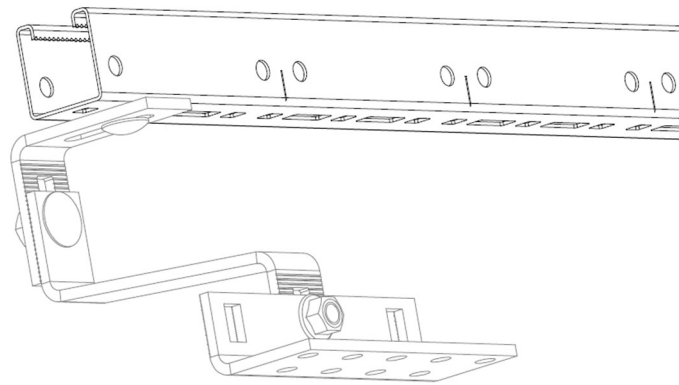
See technical data sheets:

- SC-GPX Coplanar installation system with perforated steel channel Atlantis C4-M, INDETRUT solar (GP-XS).
- SC-GPD Coplanar installation system with perforated steel channel Atlantis C4-M, INDETRUT solar (GP-XS). Discontinuous channel format.
- ST-GPX Triangular installation system with perforated steel channel Atlantis C4-M, INDETRUT solar (GP-XS).

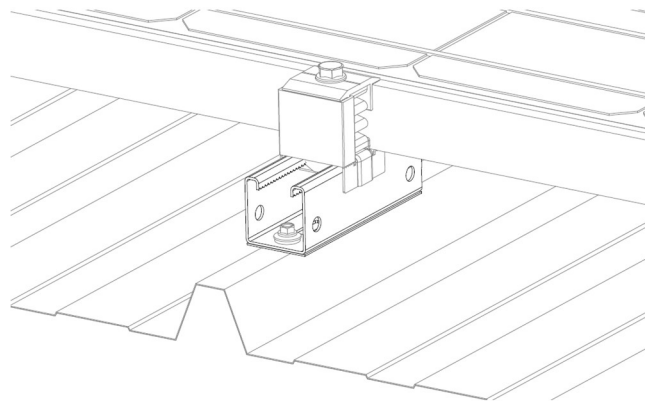
APPLICATION EXAMPLES



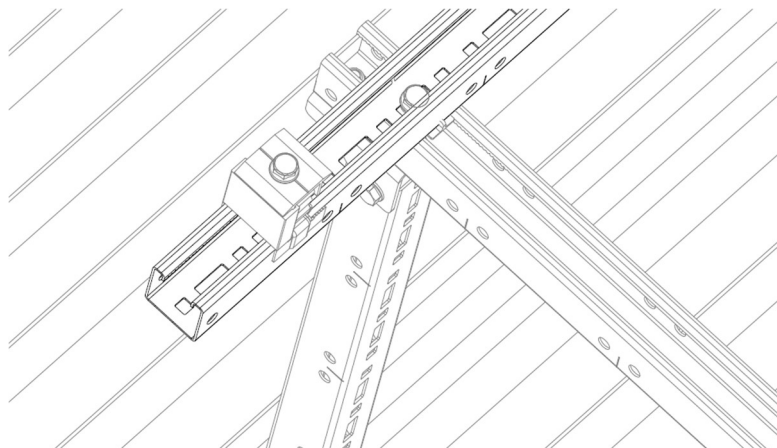
Application example 1: assembly on double-threaded screw for wood.



Application example 2: mounting on universal roof hook



Application example 3: mounting with direct fixing using thin sheet screws.



Application example 4: mounting on INDETRUT solar triangle.

1. RANGE

ITEM	CODE	PHOTO	DESCRIPTION	LENGTH	MATERIAL	FINISH
1	GPXS4115012		INDETRUT solar perforated guide. Atlantis C4-M	125 mm		
	GPXS4115125			1250 mm		
	GPXS4115187			1875 mm		
	GPXS4115250			2500 mm		
	GPXS4115362			3625 mm		

2. INSTALLATION INFORMATION

2.1 GP-XS

INDEXTRUT solar perforated guide. Atlantis C4-M



Material/finish	Assembly accessories		
<p>S280 steel</p>	<p>KFRSC3050 Quick pre-assembled clamp</p>	<p>EMPXS4115 INDETRUT solar connector</p>	<p>NUXSM0841 Articulated joint INDETRUT</p>
<p>Atlantis C4-M</p>	<p>PGSA26 Simple clamp</p>	<p>TURXA208 INDETRUT quick nut</p>	<p>6921I08070 A2-70 DIN-6921</p>
Fixing systems		Assembly accessories	
<p>TAC-N/TAC-B Atlantis/Bimetal thin sheet screw</p>		<p>CS-B Butylene adhesive sealing tape</p>	
<p>TRP-XS Pre-assembled and adjustable triangle INDETRUT</p>		<p>6921I08020 DIN-6921 bolt</p>	
<p>PMO Plate for double threaded screw</p>		<p>D603I08016 DIN-603 bolt</p>	
<p>GS-TC/GS-TU Adjustable roof hooks for Curved/universal tiles</p>		<p>STR Adjustable support for trapezoidal roof</p>	
		<p>D6923I088 DIN-6923 nut</p>	

BASE MATERIAL/FIXING

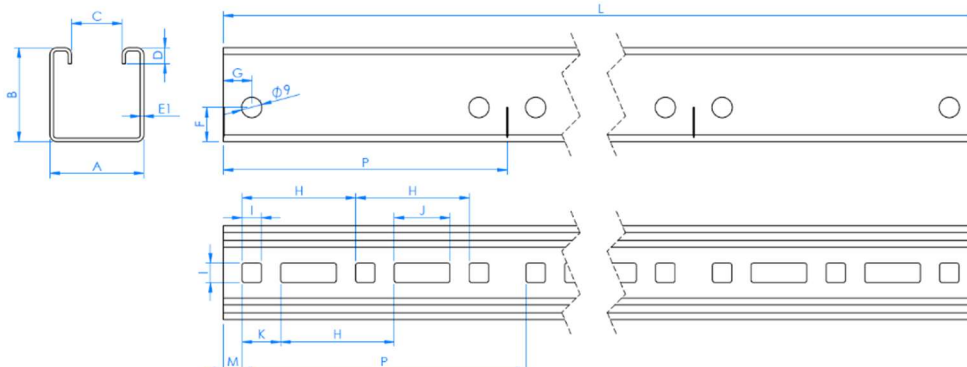
See technical data sheets:

- **SC-GPX:** Coplanar installation system with perforated steel channel Atlantis C4-M, INDETRUT solar
- **SC-GPD:** Coplanar installation system with perforated steel channel Atlantis C4-M, INDETRUT solar. Discontinuous channel format
- **ST-GPX:** Triangular installation system with perforated steel channel Atlantis C4-M, INDETRUT solar

Measurement table

Code	A (mm)	B (mm)	C (mm)	D (mm)	E1 (mm)	F (mm)	G (mm)	H (mm)	I (mm)	J (mm)	K (mm)	L (mm)	M (mm)	P (mm)
GPXS4115012	41	41	22	7	1.5	15	12.5	50	8.5	24.5	17	125	8.3	125
GPXS4115125	41	41	22	7	1.5	15	12.5	50	8.5	24.5	17	1250	8.3	125
GPXS4115187	41	41	22	7	1.5	15	12.5	50	8.5	24.5	17	1875	8.3	125
GPXS4115250	41	41	22	7	1.5	15	12.5	50	8.5	24.5	17	2500	8.3	125
GPXS4115362	41	41	22	7	1.5	15	12.5	50	8.5	24.5	17	3625	8.3	125

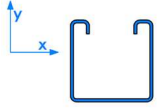
Drawing



Mechanical properties of the material

	Yield strength $F_{y0.2}$ (N/mm ²)	Ultimate load F_u (N/mm ²)	Elastic modulus E (N/mm ²)	Transverse elastic modulus G (N/mm ²)	Linear expansion coefficient α_L ($\mu\text{m}/\text{C}^\circ$)	Specific weight ρ (kg/m ³)
S280 steel	280	360	210,000	81,000	12	7,850

Mechanical properties of the guide rail.

	Area S (cm ²)	Moment of inertia I_x (cm ⁴)	Moment of inertia I_y (cm ⁴)	Section modulus W_x (cm ³)	Section modulus W_y (cm ³)	Linear weight W (kg/m)
 GP-XS	2.13	4.98	6.13	2.18	2.99	1.67