

KT-PSE



ASSESSMENTS

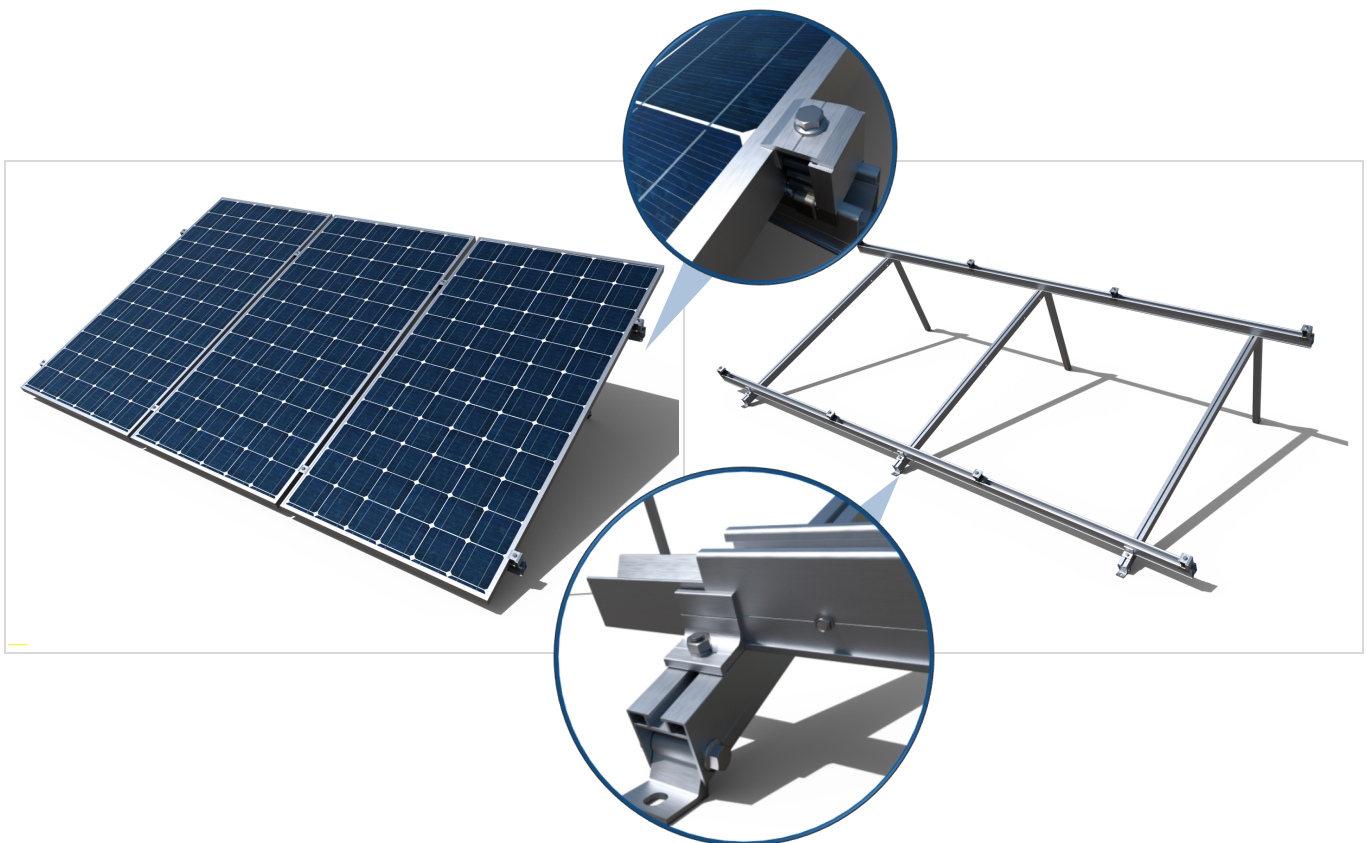


PRODUCT DESCRIPTION

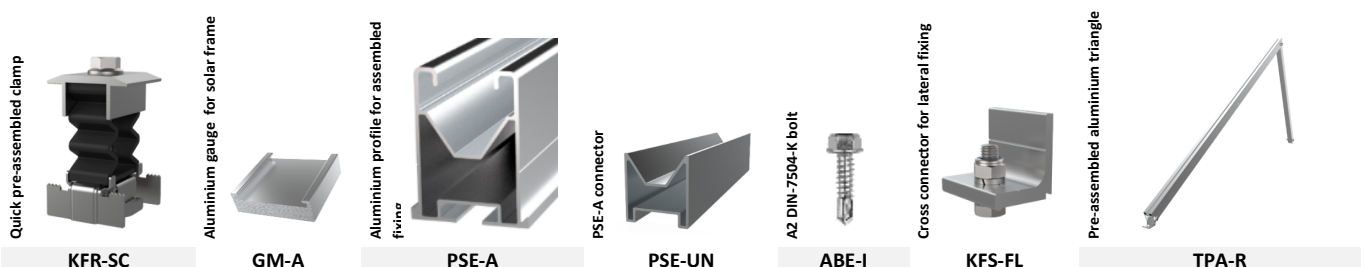
Triangular kit with PSE-A aluminium profile. Assembled fixing

CHARACTERISTICS

- Assembly kit containing the components necessary for the installation of a determined number of solar panels.
- Installation based on triangular mounting **ST-PSE** system.
- Includes quick fixing clamps **KFRSC3050** for panels.
- Includes **GM-A** gauges for heights of 30, 35 and 40 mm.
- Includes **PSE-A** aluminium profile structure in continuous format.
- Includes **PSEUN060200** profile joint with **DIN-7504-K A2** installation screw set.
- Includes **TPA-R** pre-assembled triangles with three inclination options – 25°, 30° and 35°.
- Includes **KFSFLM08** lateral fixing connectors to join **PSE-A** profiles and **TPA-R** triangles from the kit.



COMPONENTS



APPLICATIONS

- Assembly of solar panels that are inclined with respect to the roof surface on flat and slightly sloping roofs.
- Installation on all roof types on pre-assembled triangles with adjustable 25°, 30° and 35° inclination.
- For panels with 35 mm- or 40 mm-high frames.
- For plate sizes up to 1150 mm wide
- Portrait view (vertical) orientation panel assembly.
- Options include direct assembly to the roof sub-structure or mounting on an auxiliary structure – consult specifications on the **ST-PSE** assembly system technical data sheet



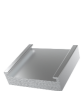

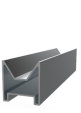



1.RANGE

ITEM	CODE	PHOTO	DESCRIPTION	PANELS	FRAME	LENGTH ROW	MATERIAL		
1	KTPSE0230		Triangular kit with PSE-A aluminium profile. Assembled fixing For two panels	2	30 mm	2500 mm			
	KTPSE0235			2	35 mm	2500 mm			
	KTPSE0240			2	40 mm	2500 mm			
2	KTPSE0330		Triangular kit with PSE-A aluminium profile. Assembled fixing For three panels	3	30 mm	3750 mm			
	KTPSE0335			3	35 mm	3750 mm			
	KTPSE0340			3	40 mm	3750 mm			
3	KTPSE02AM		Triangular kit with PSE-A aluminium profile. Assembled fixing For enlargement two panels	2	--	2500 mm			
	KTPSE03AM		Triangular kit with PSE-A aluminium profile. Assembled fixing For enlargement three panels	3	--	3750 mm			

2.INSTALLATION DATA

2.1 KTPSE02

Triangular kit with PSE-A aluminium profile. Assembled fixing
For two panels

	Component kit							
	Quick pre-assembled clamp	Aluminium gauge for solar frame	Aluminium profile for assembled	PSE-A connector	A2 DIN-7504-K bolt	Cross connector for lateral fixing	Pre-assembled aluminium triangle	
								
	2 panels	Reference						
KTPSE0230 (H=30mm)	KFRSC3050 6 units	GMA030 4 units	PSEA601250 4 units	PSEUN060200 2 units	ABEI5519 8 units	KFSFLM08 8 units	TPAR251500 2 units	
KTPSE0235 (H=35mm)	KFRSC3050 6 units	GMA035 4 units	PSEA601250 4 units	PSEUN060200 2 units	ABEI5519 8 units	KFSFLM08 8 units	TPAR251500 2 units	
KTPSE0240 (H=40mm)	KFRSC3050 6 units	GMA040 4 units	PSEA601250 4 units	PSEUN060200 2 units	ABEI5519 8 units	KFSFLM08 8 units	TPAR251500 2 units	

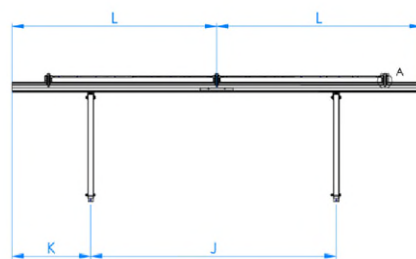
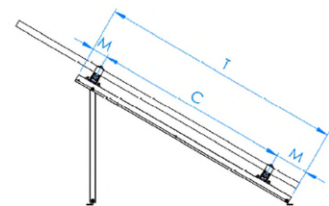
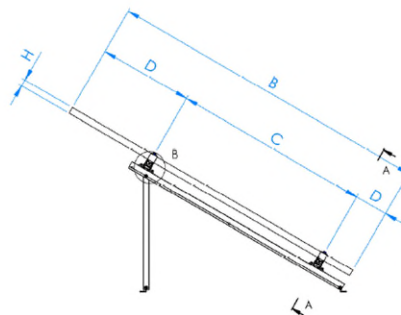
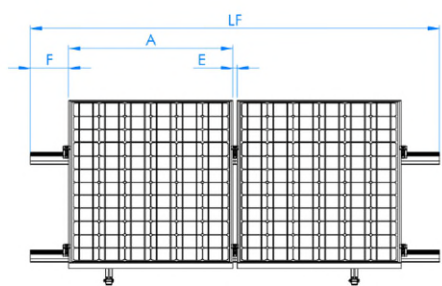
Roof/Fixing accessories

Consult technical data sheet corresponding to the ST-PSE assembly system.

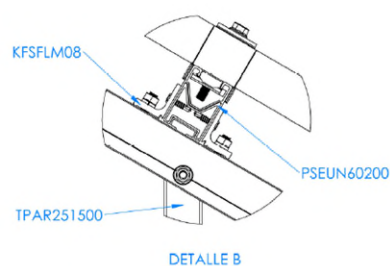
Measurement table

Code	A (mm)	B (mm)	C (mm)	D (mm)	E (mm)	F (mm)	H (mm)	J (mm)	K (mm)	L (mm)	LF (mm)	M (mm)	T (mm)
KTPSE0230	≤ 1150	≤ 2100	0,5B ÷ 0,7B	0,1B ÷ 0,25B	26	≥ 35	30	1400÷1600	(LF-J) / 2	1250	2500	(T-C) / 2	1500
KTPSE0235	≤ 1150	≤ 2100	0,5B ÷ 0,7B	0,1B ÷ 0,25B	26	≥ 35	35	1400÷1600	(LF-J) / 2	1250	2500	(T-C) / 2	1500
KTPSE0240	≤ 1150	≤ 2100	0,5B ÷ 0,7B	0,1B ÷ 0,25B	26	≥ 35	40	1400÷1600	(LF-J) / 2	1250	2500	(T-C) / 2	1500

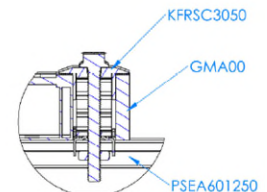
Drawing



SECTION A-A



DETAILLE B

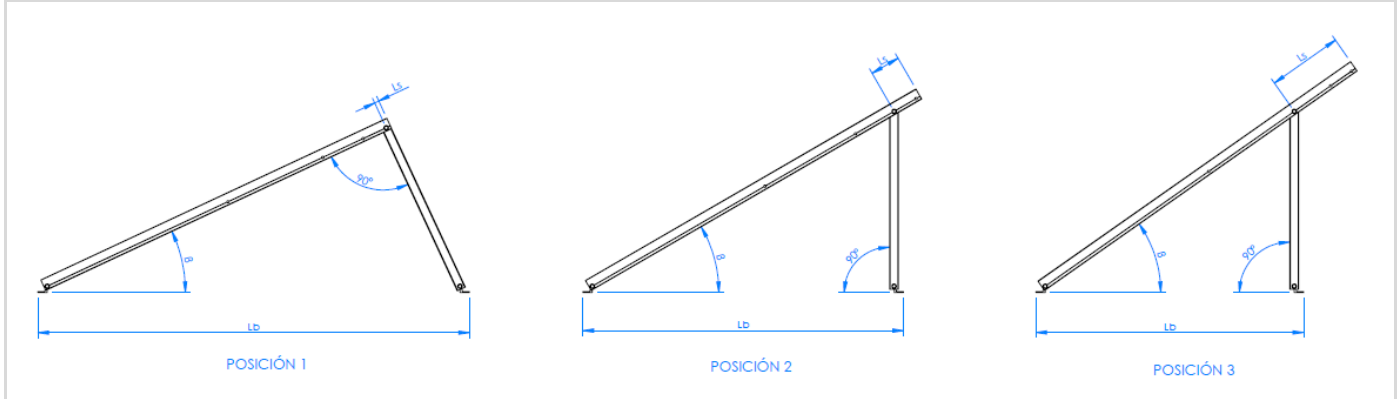


DETAILLE A

Measurement table 2

Code	Position 1			Position 2			Position 3		
	β (°)	Ls (mm)	Lb (mm)	β (°)	Ls (mm)	Lb (mm)	β (°)	Ls (mm)	Lb (mm)
TPAR251500	25	18	1696	30	118	1260	35	293	1052

Drawing




Mechanical properties of the profile.

	Area S (cm ²)	Moment of inertia I _x (cm ⁴)	Moment of inertia I _y (cm ⁴)	Section modulus W _x (cm ³)	Section modulus W _y (cm ³)	Linear weight W (kg/m)
 Upper profile	3,01	5,15	7,52	1,76	3,76	0,81
 Profile bar	2,59	4,66	4,66	2,66	2,66	0,70
 Profile fot	3,91	3,99	4,66	1,94	1,61	1,04

2.2 KTPSE03

Triangle kit with aluminium profile (PSE-A). Assembled fixing For three panels

	Component Kit						
	Quick pre-assembled clamp	Aluminium gauge for solar frame	Aluminium profile for assembled	PSE-A connector	A2 DIN-7504-K bolt	Cross connector for lateral fixing	Pre-assembled aluminium triangle
Reference							
KTPSE0330 (H=30mm)	KFRSC3050 8 units	GMA030 4 units	PSEA601875 4 units	PSEUN060200 2 units	ABEI5519 8 units	KFSFLM08 12 units	TPAR251500 3 units
KTPSE0335 (H=35mm)	KFRSC3050 8 units	GMA035 4 units	PSEA601875 4 units	PSEUN060200 2 units	ABEI5519 8 units	KFSFLM08 12 units	TPAR251500 3 units
KTPSE0340 (H=40mm)	KFRSC3050 8 units	GMA040 4 units	PSEA601875 4 units	PSEUN060200 2 units	ABEI5519 8 units	KFSFLM08 12 units	TPAR251500 3 units

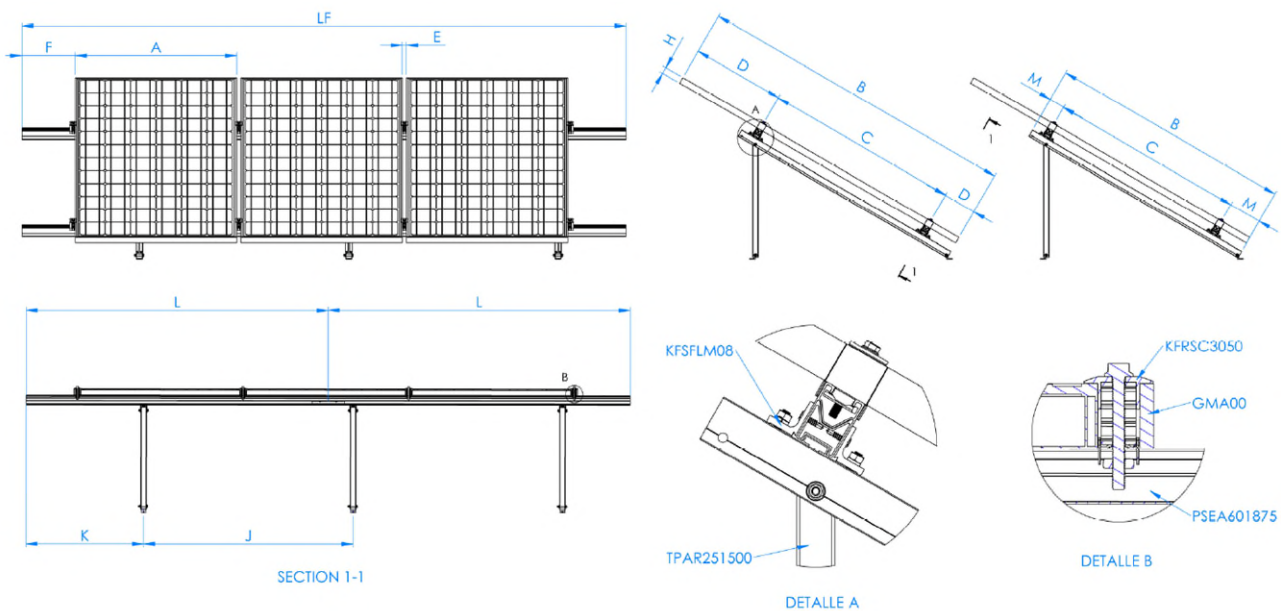
Roof/Fixing accessories

Consult technical data sheet corresponding to the ST-PSE assembly system.

Measurement table

Code	A (mm)	B (mm)	C (mm)	D (mm)	E (mm)	F (mm)	G (mm)	H (mm)	J (mm)	K (mm)	L (mm)	LF (mm)	LU (mm)	M (mm)	T (mm)
KTPSE0330	≤ 1150	≤ 2100	0,5B ÷ 0,7B	0,1B ÷ 0,25B	26	≥ 35	50÷70	30	1300÷1500	(LF-2J) / 2	1875	3750	200	(T-C) / 2	1500
KTPSE0335	≤ 1150	≤ 2100	0,5B ÷ 0,7B	0,1B ÷ 0,25B	26	≥ 35	50÷70	35	1300÷1500	(LF-2J) / 2	1875	3750	200	(T-C) / 2	1500
KTPSE0340	≤ 1150	≤ 2100	0,5B ÷ 0,7B	0,1B ÷ 0,25B	26	≥ 35	50÷70	40	1300÷1500	(LF-2J) / 2	1875	3750	200	(T-C) / 2	1500

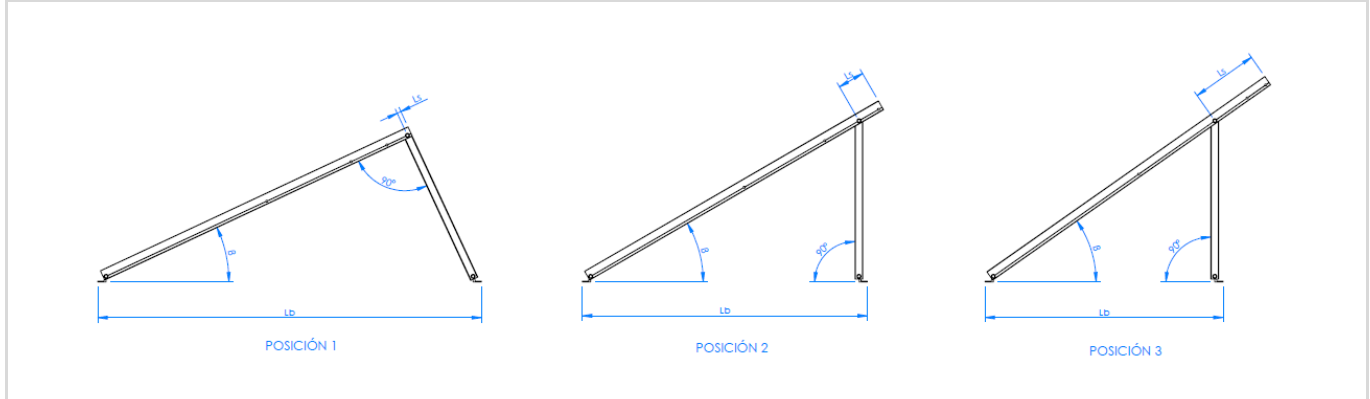
Drawing



Measurement table 2

Code	Position 1			Position 2			Position 3		
	β (°)	Ls (mm)	Lb (mm)	β (°)	Ls (mm)	Lb (mm)	β (°)	Ls (mm)	Lb (mm)
TPAR251500	25	18	1696	30	118	1260	35	293	1052

Drawing



Mechanical properties of the profile.

	Area S (cm ²)	Moment of inertia I _x (cm ⁴)	Moment of inertia I _y (cm ⁴)	Section modulus W _x (cm ³)	Section modulus W _y (cm ³)	Linear weight W (kg/m)
 Upper profile	3,01	5,15	7,52	1,76	3,76	0,81
 Profile bar	2,59	4,66	4,66	2,66	2,66	0,70
 Profile fot	3,91	3,99	4,66	1,94	1,61	1,04

2.3 KTPSEAM

Triangular kit with aluminium profile (PSE-A). Assembled fixing. Enlargement for 2 and 3 panels

	2 & 3 panels Reference	Component Kit					
		Quick pre-assembled clamp 	Aluminium profile for assembled 	PSE-A connector 	A2 DIN-7504-K bolt 	Cross connector for lateral fixing 	Pre-assembled aluminium triangle
KTPSE02AM	KFRSC3050 4 units	PSEA601250 4 units	PSEUN060200 4 units	ABE15519 16 units	KFSFLM08 8 units	TPAR251500 2 units	
KTPSE03AM	KFRSC3050 6 units	PSEA601875 4 units	PSEUN060200 4 units	ABE15519 16 units	KFSFLM08 12 units	TPAR251500 3 units	

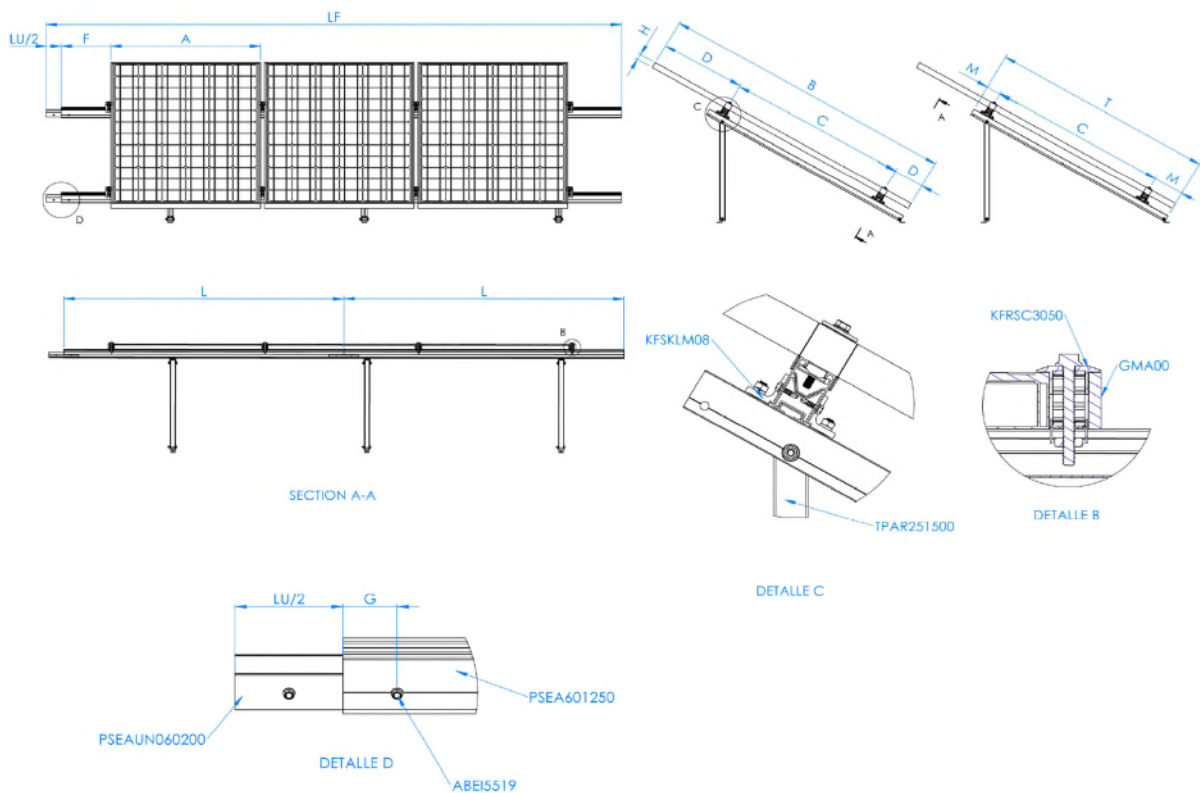
Roof/Fixing accessories

Consult technical data sheet corresponding to the ST-PSE assembly system.

Measurement table

Code	A (mm)	B (mm)	C (mm)	D (mm)	E (mm)	F (mm)	G (mm)	J (mm)	K (mm)	L (mm)	LF (mm)	LU (mm)	M (mm)	T (mm)
KTPSE02AM	≤ 1150	≤ 2100	0,5B ÷ 0,7B	0,1B ÷ 0,25B	26	≥ 35	50÷70	1300÷1500	(LF-2J) / 2	1250	2500	200	(T-C) / 2	1500
KTPSE03AM	≤ 1150	≤ 2100	0,5B ÷ 0,7B	0,1B ÷ 0,25B	26	≥ 35	50÷70	1300÷1500	(LF-2J) / 2	1875	3750	200	(T-C) / 2	1500

Drawing

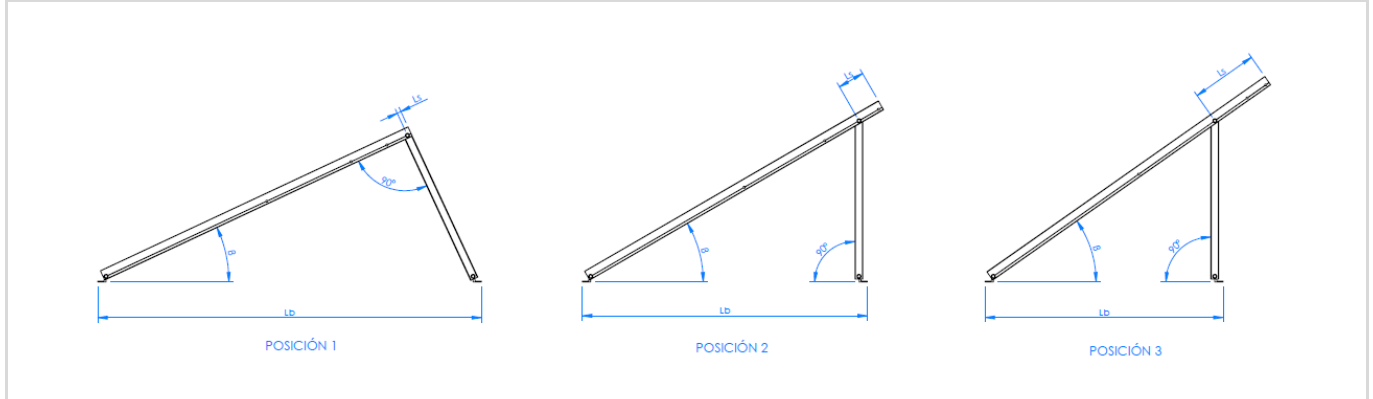


Example of enlargement kit composition 3 panels

Measurement table 2

Code	Position 1			Position 2			Position 3		
	β (°)	Ls (mm)	Lb (mm)	β (°)	Ls (mm)	Lb (mm)	β (°)	Ls (mm)	Lb (mm)
TPAR251500	25	18	1696	30	118	1260	35	293	1052

Drawing



Mechanical properties of the profile.

	Area S (cm ²)	Moment of inertia I _x (cm ⁴)	Moment of inertia I _y (cm ⁴)	Section modulus W _x (cm ³)	Section modulus W _y (cm ³)	Linear weight W (kg/m)
 Upper profile	3,01	5,15	7,52	1,76	3,76	0,81
 Profile bar	2,59	4,66	4,66	2,66	2,66	0,70
 Profile fot	3,91	3,99	4,66	1,94	1,61	1,04