

PMO-L



PRODUCT DESCRIPTION

- L mounting plate for double threaded screws

CHARACTERISTICS

- Material: Aluminium AW 6005-T6.
- For outside use
- Single reference number for M10 and M12 double-threaded screws.
- Quick assembly with square neck DIN-603 M8 bolts.

APPLICATIONS/MOUNTING ACCESSORIES



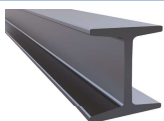
PSE-C



KFSFIM08

In the coplanar assembled aluminium system for mounting solar panels, it is used as a mounting element between the corresponding double-threaded screw and the **PSE-C** "Aluminium profile for assembled fixing". Using a unit of **KFSFIM08** "cross connector kit for lower fixing" as a fixing for the profile.

BASE MATERIAL/FIXING ACCESSORIES



STEEL ROOF/SUB-STRUCTURE



KFS-AU: Double-threaded self-tapping screw kit for metal



WOOD ROOF/SUB-STRUCTURE



KFS-MA: Double-threaded screw kit for wood

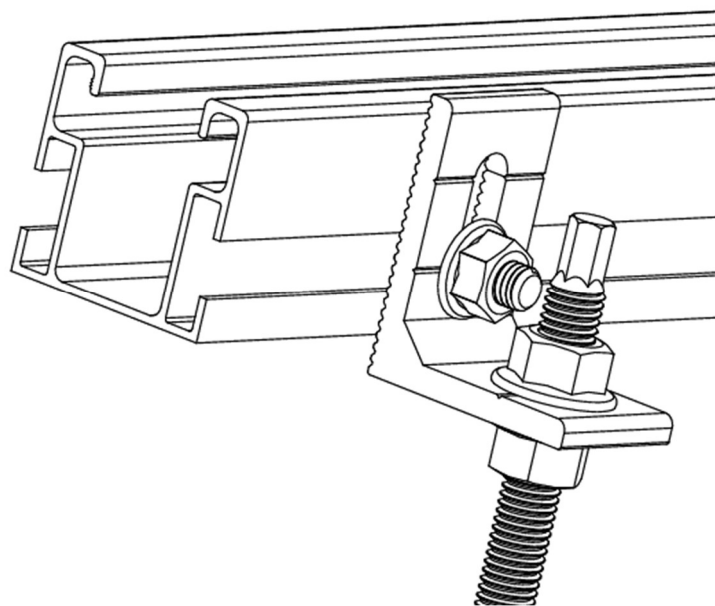


CONCRETE ROOF/SUB-STRUCTURE





KFS-RV: Threaded rod kit for chemical anchors

APPLICATION EXAMPLES



Application example 1: Mounting of the PSE-C guide on KFS-RV/KFS-MA

1. RANGE

ITEM	CODE	PHOTO	DESCRIPTION	MEASUREMENT	DRILL	MATERIAL
1	PMOL1012		L-plate for double threaded screw	50 x 43 x 5	M10-M12	

2. INSTALLATION INFORMATION

2.1 PMO-L

Plate for double-threaded screw



Material	Compatible		
 Aluminium (AW 6005-T6)	 KFS-AU Self-tapping screw kit. Stainless steel A2	 KFS-MA Double-threaded bolt kit. Stainless steel A2	 KFS-RV Threaded rod kit for chemical anchor installation. Stainless steel A2

Installation information

Code	A (mm)	B (mm)	C (mm)	ØD (mm)	E (mm)	F (mm)	G (mm)	H (mm)
PMOL1012	50	43	30	12	5	9	16	15

Drawing

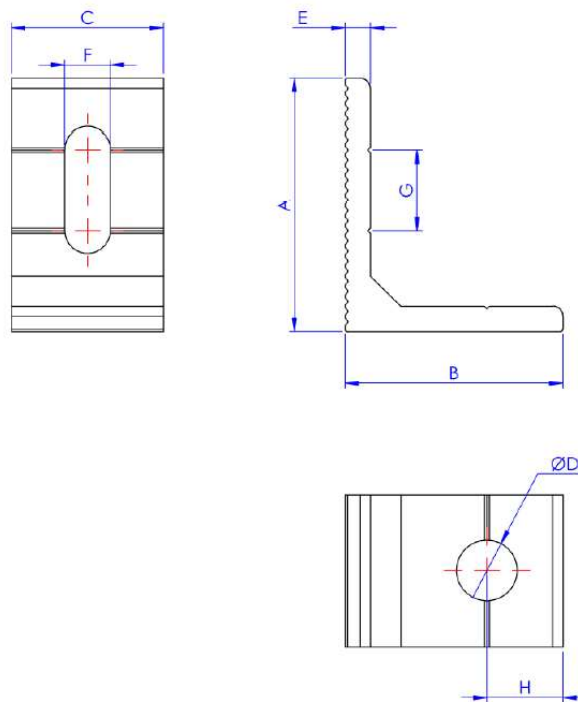


Table showing installation parameters

Double-threaded screw	Installation wrench (mm)	Maximum tightening torque (Nm)	Maximum design load N _{Rd} (kN)
M10	Sw15	28	2,5
M12	Sw18	48	3,0