

**KFS-RV**

**PRODUCT DESCRIPTION**

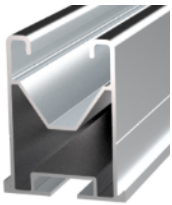
- Threaded rod kit for chemical anchor installation. Stainless steel A2

**CHARACTERISTICS**

- Includes one threaded rod kit for chemical anchors in A2-70 stainless steel.
- Includes three DIN-6923 knurled bolts in A2-70 stainless steel.
- Includes one EPDM ARS-S seal washer.
- For outside use.
- Hexagonal end for screwdriver installation.
- 90° tip for improved chemical anchor mix.
- Metric thread.
- Guarantees watertightness on roof through the ARS-S joint.
- Attach under roof to sub-structure with chemical anchors.
- Suitable for hollow materials using MO-TL mesh sleeves.



**APPLICATIONS/MOUNTING ACCESSORIES**



PSE-A

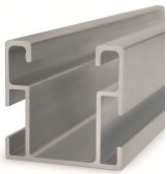


KFSFIM08



PMO1012

Used in **coplanar aluminium assembly systems** to attach solar panels to under-roof sub-structures. When assembling a **PSE-A** "aluminium profile for assembled fixing", a **PMO1012** "plate for double-threaded screw" and a **KFSFIM08** "cross connector for bottom fixing kit" are used on each double-threaded screw.



PSE-C



KFSFIM08



PMOL1012

Used in **coplanar aluminium lateral assembly systems** to attach solar panels to under-roof sub-structures. When assembling a **PSE-C** "aluminium profile for lateral assembled fixing", a **PMOL1012** "L mounting plate for double-threaded screw" and a **KFSFIM08** "cross connector for bottom fixing kit" are used on each double-threaded screw.



GP-XS



D603I08016






D6923I08016



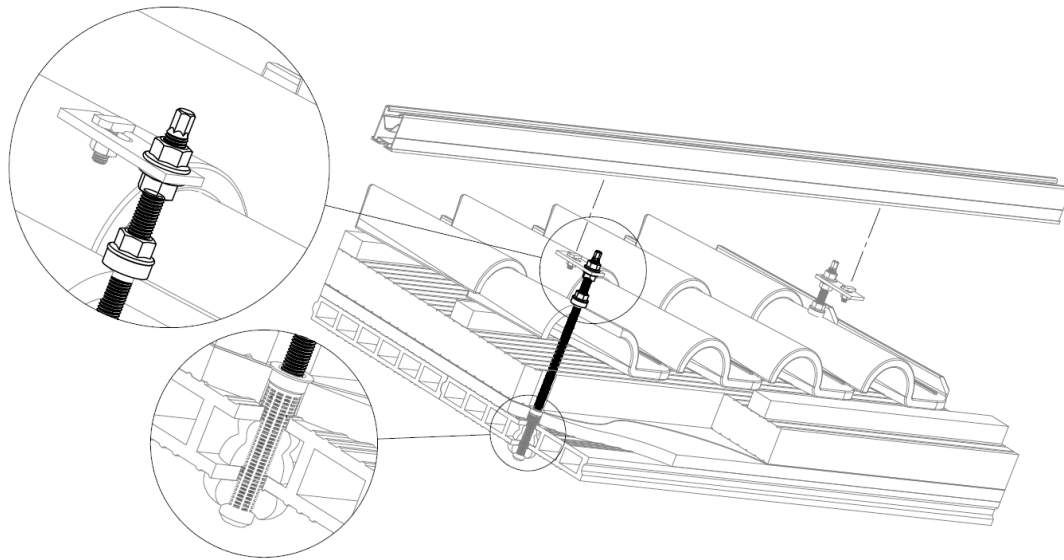
PMO1012

Used in **Atlantis steel coplanar systems** to attach solar panels to under-roof sub-structures. When mounting a **GP-XS** "INDEXTRUT solar perforated guide", a **PMO1012** "plate for double-threaded screw", a **D603I08016** "16 mm DIN-603 M8 bolt" and a **D6923I08016** "DIN-6923 M8 nut", both in A2-70 stainless steel, are used on each double-threaded screw.

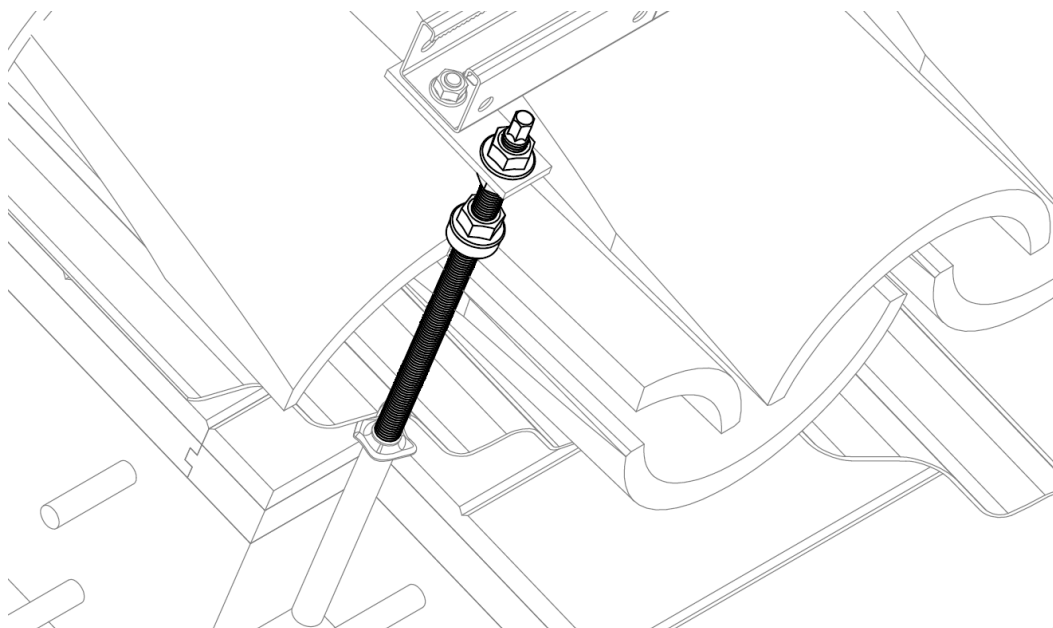
**ROOF/SUB-STRUCTURE/FIXING ACCESSORIES**

<b>ROOF</b>	 TILE	<b>SUB-STRUCTURE BASE MATERIAL</b>	 CONCRETE	<b>FIXING ACCESSORIES</b>	 Chemical anchor	 <b>MO-TM</b> Metal sleeve for chemical anchor
	 METAL SHEET		 HOLLOW CONCRETE			 <b>MO-TN</b> Sleeve for chemical anchor
	 SANDWICH PANEL		 HOLLOW BRICK			 <b>MO-TL</b> Sleeve for chemical anchor

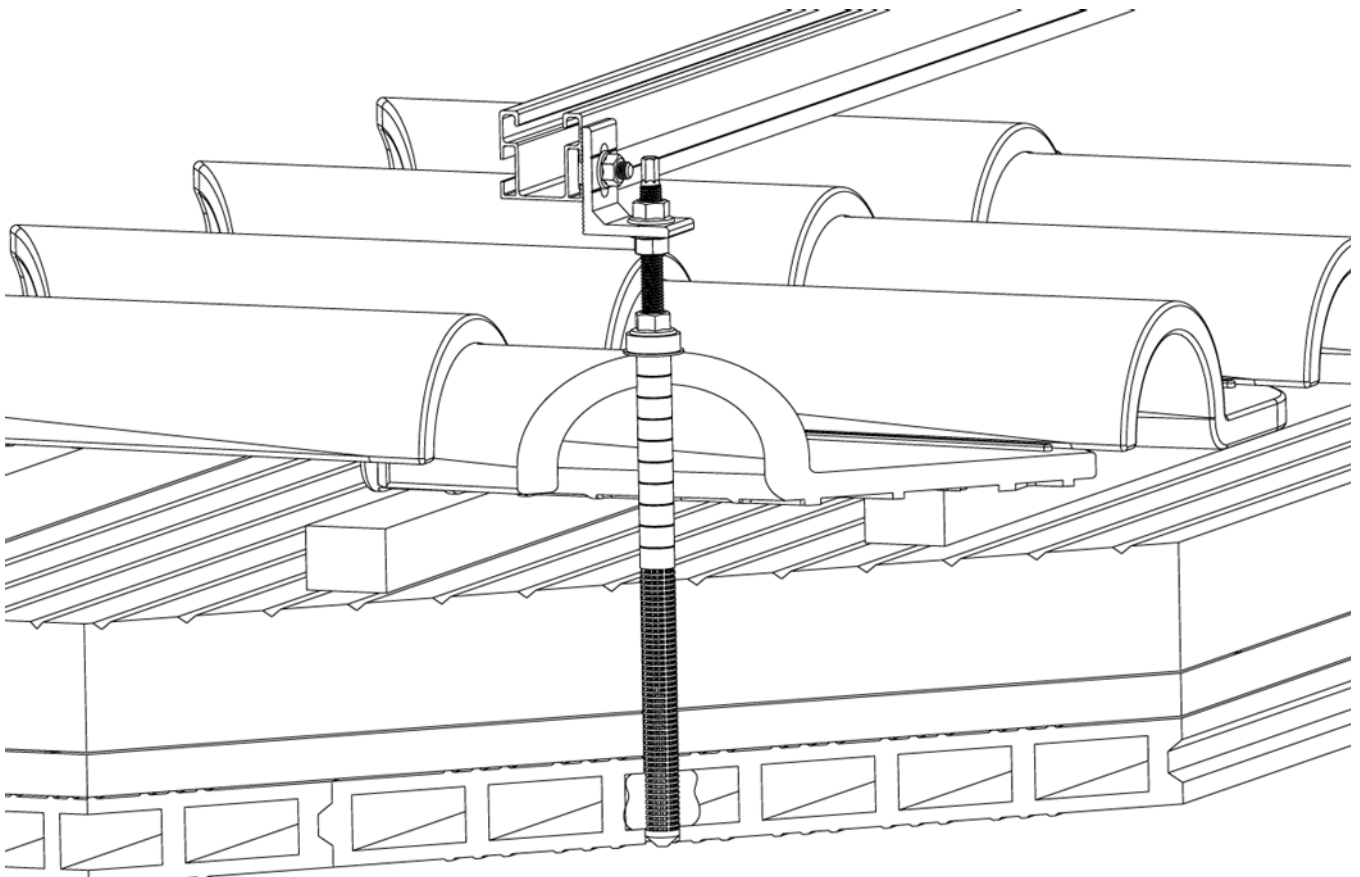
**APPLICATION EXAMPLES**



**Application example 1: Mounting of the PSE-A profile on mixed roof tiles**



**Application example 2: Mounting of the GP-XS guide on curved roof tiles**



Application example 3: Mounting of the PSE-C profile on curved roof tiles

## 1. RANGE

ITEM	CODE	FOTO	DESCRIPTION	METRIC	LENGTH	MATERIAL	
1	KFSRV10250		Threaded rod kit for chemical anchor installation. Stainless steel A2	M10	250 mm		
	M12			300 mm	AISI-304		

## 2. INSTALLATION INFORMATION

### 2.1 KFS-RV

### Threaded rod kit for chemical anchor installation. Stainless steel A2

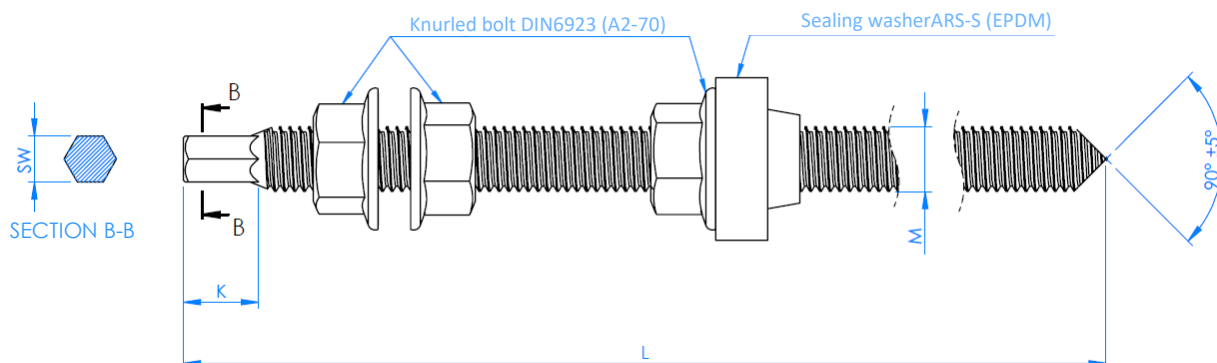


Material	Mounting accessories		Roof	
 <b>AISI-304</b>	 <b>D603108016 + D6923IM08</b> DIN-603 M8x16 + DIN-6923 M8	 <b>KFSFIM08</b> Cross connector for bottom fixing	 <b>Tile</b>	 <b>Sandwich panel</b>
 <b>EPDM</b>	 <b>PMO</b> Plate for double threaded screw	 <b>PMO-L</b> L Plate for double threaded screw	 <b>Metal sheet</b>	
Sub-structure base material			Fixing accessories	
 <b>Concrete</b>			 <b>MO-TM</b> Metal sleeve for chemical anchor	 <b>MO-TN</b> Nylon sleeve for chemical anchor
 <b>Hollow concrete</b>	 <b>Hollow brick</b>	 <b>Chemical anchor</b>	 <b>MO-TL</b> Nylon sleeve for chemical anchor	

Measurement table

Code	M	L (mm)	SW (mm)	K (mm)	Washer EPDM
KFSRV10250	M10	250	7	12	ARSS10
KFSRV12350	M12	350	9	12	ARSS12

Drawing



**Table showing installation parameters**

Chemical anchor parameters and installation process		See technical data sheets for the chemical anchors used			
		During the setting process for the chemical anchor, we recommend the use of a light rod pre-installed in the joint with the neck inserted into the opening of the roof to be sealed to ensure that the rod is correctly centred.			
Assembly of PMO plate		Installation of joint on roof			
Code	Metric/Wrench (M/Sw)	Maximum tightening torque (Nm)	Ø Roof drill hole (mm)	Metric/Wrench (M/Sw)	Maximum tightening torque (Nm)
KFSRV10250	M10/Sw15	28	16	M10/Sw15	Until adjustment of the joint (See Figures)
KFSRV12350	M12/Sw18	48	16	M12/Sw18	Until adjustment of the joint (See Figures)