

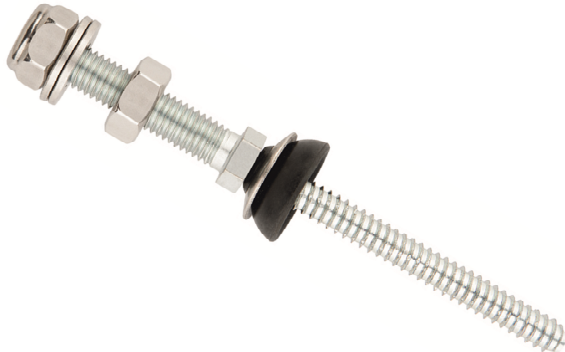
### KFS-AU

### PRODUCT DESCRIPTION

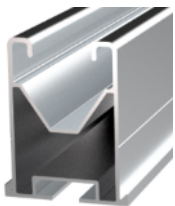
- Self-tapping screw kit. Stainless steel A2.

### CHARACTERISTICS

- Includes one zinc-coated double-threaded screw for metal in A2-70 stainless steel.
- Includes one DIN-985 nut and one DIN-934 nut in A2-70 stainless steel.
- Includes two DIN-125 washers in A2-70 stainless steel.
- Includes one EPDM ARS-P umbrella washer in A2-70 stainless steel.
- For outside use
- Hexagonal end for screwdriver installation.
- Hexagonal centre for adjustment.
- BZ self-tapping tip.
- Guarantees watertightness on corrugated roofs through the ARS-P umbrella washer.
- Attach under roof to steel sub-structure.



### APPLICATIONS/MOUNTING ACCESSORIES



PSE-A

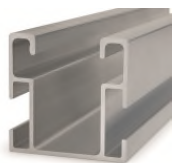


KFSFIM08



PMO1012

Used in **coplanar aluminium assembly systems** to attach solar panels to under-roof sub-structures. When assembling a **PSE-A** "aluminium profile for assembled fixing", a **PMO1012** "plate for double-threaded screw" and a **KFSFIM08** "cross connector for bottom fixing" are used on each double-threaded screw.



PSE-C



KFSFIM08



PMOL1012

Used in **coplanar aluminium lateral assembly systems** to attach solar panels to under-roof sub-structures. When assembling a **PSE-C** "aluminium profile for lateral assembled fixing", a **PMOL1012** "L mounting plate for double-threaded screw" and a **KFSFIM08** "cross connector for bottom fixing" are used on each double-threaded screw.



GP-XS



D6923I08016



PMO1012

Used in **Atlantis steel coplanar systems** to attach solar panels to under-roof sub-structures. When mounting a **GP-XS** "INDEXTUT solar perforated guide", a **PMO1012** "plate for double-threaded screw", a **D603I08016** "16 mm DIN-603 M8 bolt" and a **D6923I08016** "DIN-6923 M8 nut", both in A2-70 stainless steel, are used on each double-threaded screw.

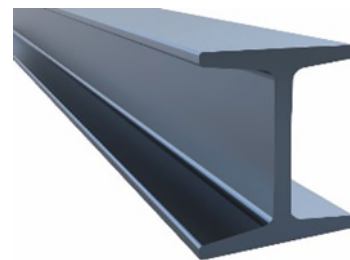
ROOF/SUB-STRUCTURE

ROOF



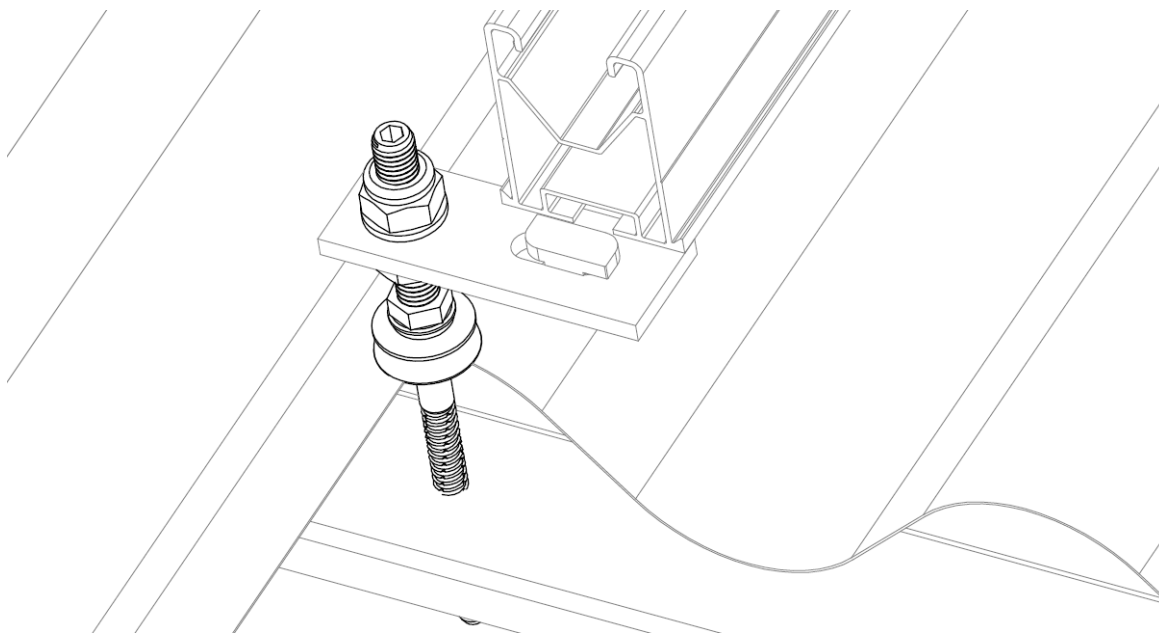
FIBRE CEMENT

SUB-STRUCTURE BASE MATERIAL

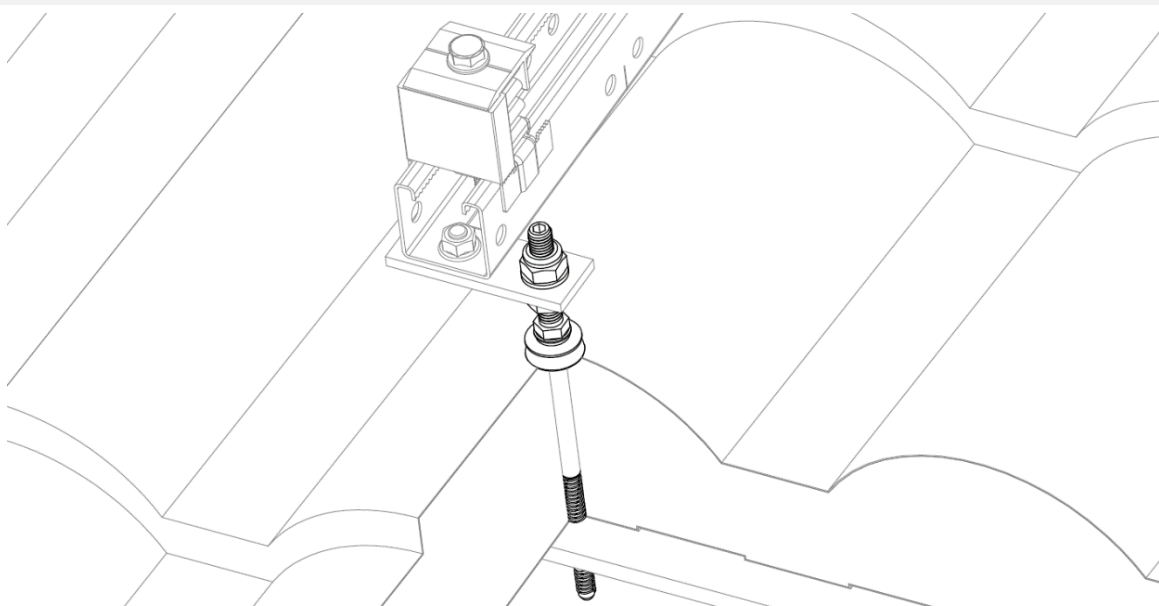


STEEL

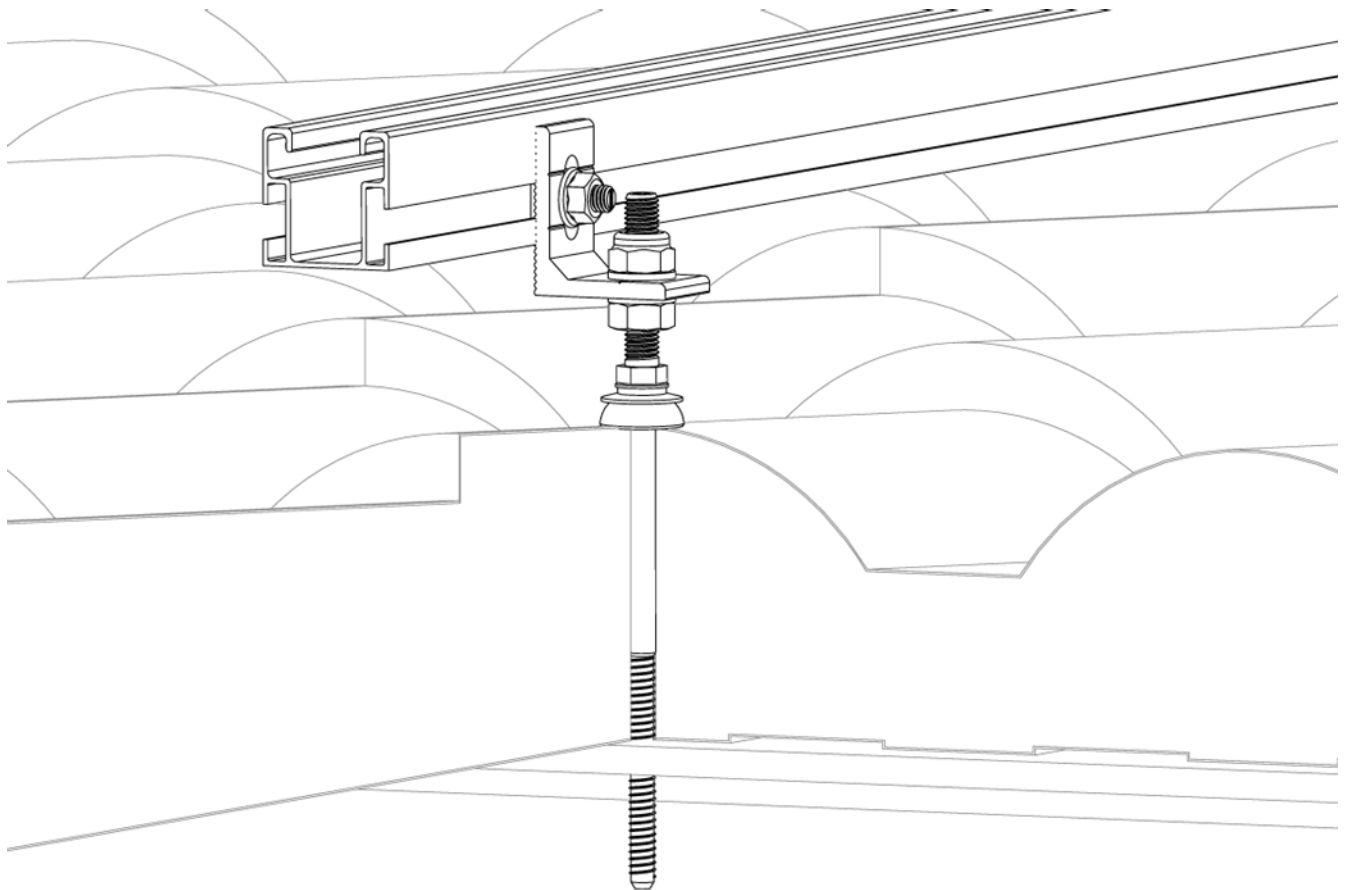
APPLICATION EXAMPLES



Application example 1: Mounting of the PSE-A profile on a corrugated fibre cement roof







Application example 2: Mounting of perforated GP-XS guide on imitation tile sandwich panel roofs



Application example 3: Mounting of the PSE-C profile on imitation tile sandwich panel roofs

## 1. RANGE

ITEM	CODE	PHOTO	DESCRIPTION	METRIC	LENGTH	MATERIAL	FINISH
1	KFSAU10160		Self-tapping screw kit. Stainless steel A2	M10	160 mm	 AISI-304	 EPDM
	200 mm				 ZINC		

## 2. INSTALLATION INFORMATION

### 2.1 KFS-AU

### Self-tapping screw kit. Stainless steel A2

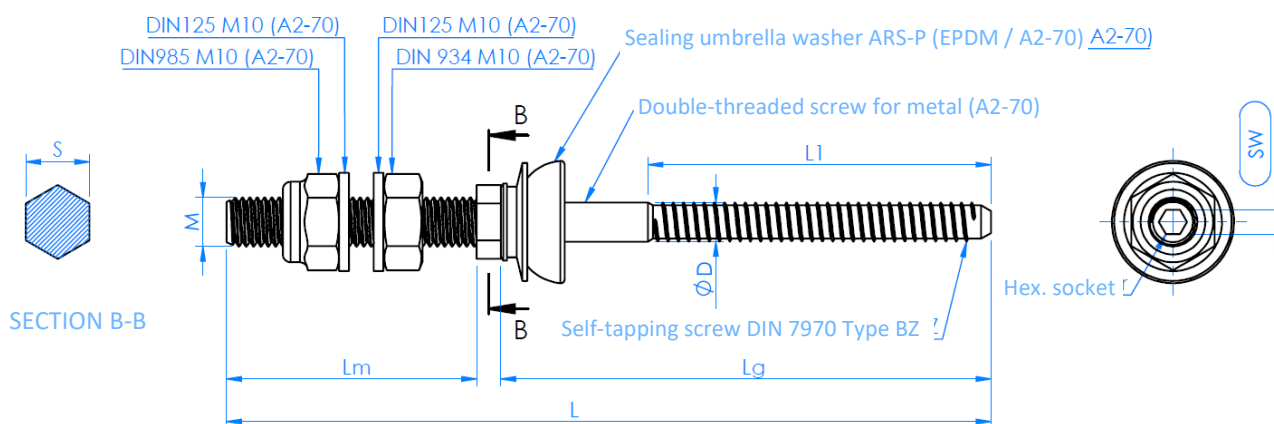


Material	Finish	Assembly accessories	
 <b>AISI-304</b>	 <b>Zinc</b>	 <b>D603108016 + D69231M08</b> DIN-603 M8x16 + DIN-6923 M8	 <b>KFSFIM08</b> Cross connector for bottom fixing
 <b>EPDM</b>		 <b>PMO</b> Plate for double threaded screw	 <b>PMOL</b> Plate in L for double threaded screw
Roof		Sub-structure base material	
 <b>Fibre cement</b>		 <b>Steel</b>	

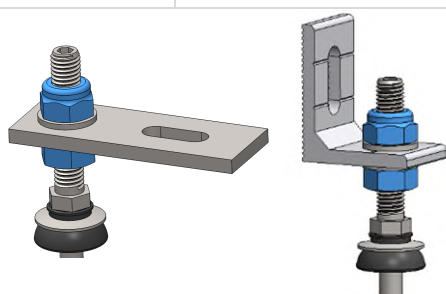
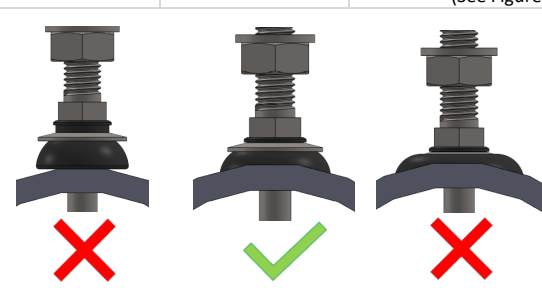
Measurement table

Code	M	L (mm)	Lg (mm)	Lm (mm)	L1 (mm)	øD (mm)	S (mm)	SW (mm)	EPDM washer
KFSAU10160	M10	156	100	50	70	8	13	5	ARSP08
KFSAU10200	M10	206	150	50	70	8	13	5	ARSP08

Drawing



**Table showing installation parameters**

Installation on base material					
Code	Interior installation wrench (mm)	Steel thickness: 1-5mm Ø drill hole (mm)	Steel thickness: 5-6mm Ø drill hole (mm)	Steel thickness: 6-8mm Ø drill hole (mm)	Steel thickness: ≥ 10mm Ø drill hole (mm)
KFSAU10160	Sw5	6.8 mm	7 mm	7.2 mm	7.4 mm
KFSAU10200	Sw5	6.8 mm	7 mm	7.2 mm	7.4 mm
Assembly of PMO and PMOL plate			Installation of joint on roof		
Code	Metric/Wrench (M/Sw)	Maximum tightening torque (Nm)	Ø Roof drill hole (mm)	Metric/Wrench (M/Sw)	Maximum tightening torque (Nm)
KFSAU10160	M10/Sw15	28	8-10	M8/Sw13	Until adjustment of the joint (See Figure)
KFSAU10200	M10/Sw15	28	8-10	M8/Sw13	Until adjustment of the joint (See Figure)
					

**Extraction loads/Steel thickness (S280GD)**

Reference number	e = 1.5 mm NRd (kN)	e = 2 mm NRd (kN)	e = 3 mm NRd (kN)	e ≥ 4 mm NRd (kN)
KFSAU10160	1.47	2.27	3.87	4.53
KFSAU10200	1.47	2.27	3.87	4.53