

### MO-TL

### PRODUCT DESCRIPTION

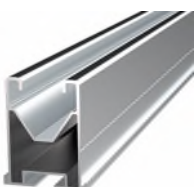
- Long cut-out sieve

### CHARACTERISTICS

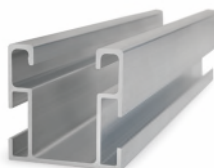
- Sieve of Ø16x330 mm
- Material Polypropylene
- For outside use
- Adjustment up to 190 mm by cutting marks every 10 mm
- Colour: White



### APPLICATIONS



PSE-A



PSE-C



GP-XS

Plastic sieve secures an optimum distribution and a uniform curing of the chemical anchor. It is used for solar panel installation, in coplanar assembly system with direct fixing on the roof.

Th structural components with which it is usually installed are:

- **PSE-A**, aluminium profile for assembled fixing
- **PSE-C**, aluminium profile for lateral assembled fixing
- **GP-XS**, perforated Steel channel Atlantis C4-M INDEXTRUT solar

Sieve includes a centering plug that simplifies resin insertion into the sieve and thanks to the division of the upper part allows a range of lengths usable with a single product, providing flexibility and cost-effectiveness.

Also, thanks to its high adhesion, it serves as a fixing during the pre-installation, maintaining the position of the elements to be fixed during the installation of the final fastening.



Indicated for use with threaded rod.

### BASE MATERIAL / FIXING SYSTEM

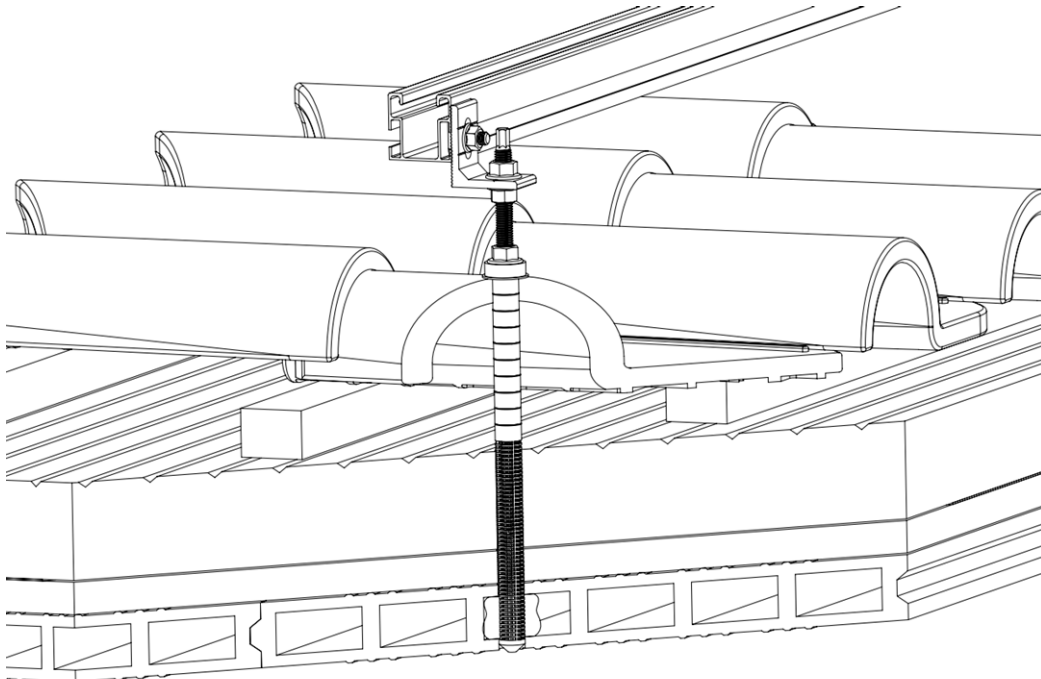
<b>BASE MATERIAL</b>			
	Concrete	Hollow concrete	Hollow brick

<b>FIXING SYSTEM</b>		
	KFS-RV / KFS-MA Threaded rod kit	Chemical anchor

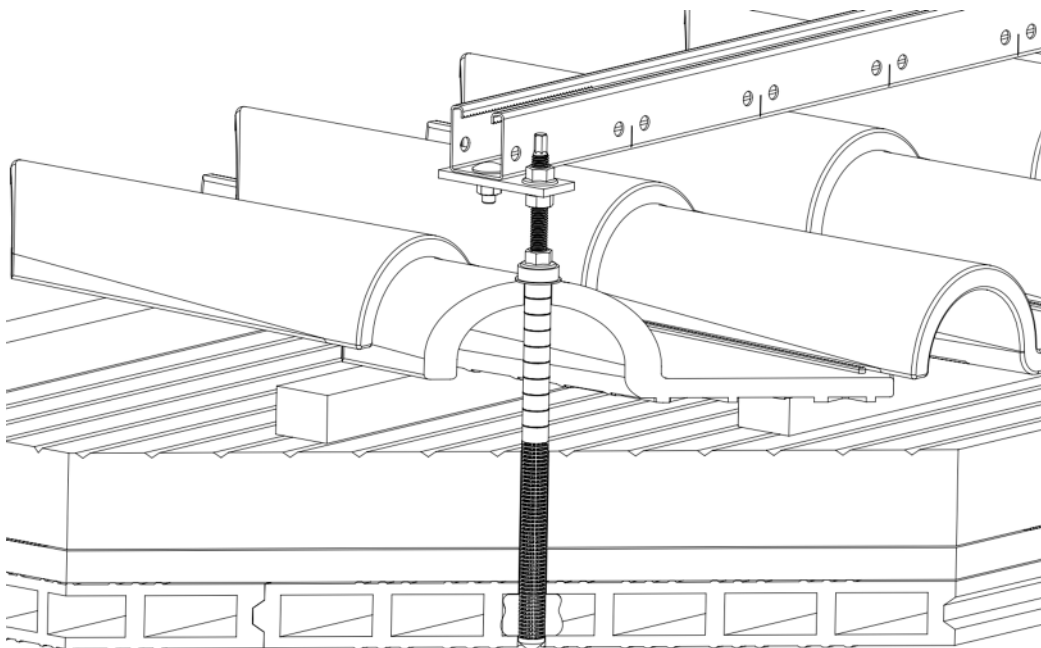
**1.RANGE**

ITEM	CODE	PHOTO	DESCRIPTION	WIDTH	LENGTH	MATERIALS
1	MOTL16330		Long cut-out sieve	16 mm	330 mm	

**APPLICATION EXAMPLES**



**Application example 1: mounting of the PSE-C aluminium profile on mixed roof tiles**

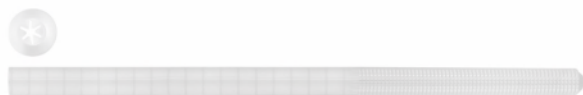


**Application example 2: mounting of the GP-XS steel guide on curved roof tiles**

## 2. INSTALLATION INFORMATION

### 2.1 MO-TL

### Long cut-out sieve

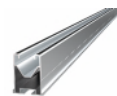


#### Material



Polypropylene

#### Compatible



PSE-A  
Aluminium profile



PSE-C  
Coplanar aluminium profile



GP-XS  
INDETRUT solar perforated guide

#### Base material



Concrete



Hollow brick

#### Attachment accessories



KFS-RV / KFS-MA  
Threaded rod kit

#### Measurement table

Code	A (mm)	ØB (mm)	ØC (mm)	L (mm)	LT (mm)
MOTL16330	10	28	16	130	330

#### Drawing MO-TL

