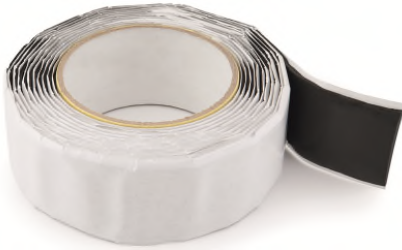


CS-B



PRODUCT DESCRIPTION

- Butylene adhesive sealing tape

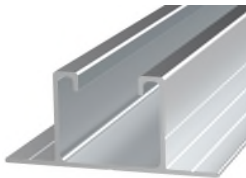
CHARACTERISTICS

- Double-sided butylene sealing tape for pre-installation.
- Manufactured from butylene.
- For outside use.
- Adaptable elastic material.
- High adhesive strength with virtually all construction materials.
- Black.

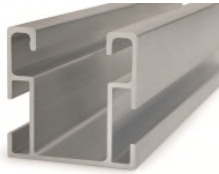
ASSESSMENTS



APPLICATIONS



PSA-A



PSE-C



GP-XS

Used to ensure watertightness in the installation of solar panels on **coplanar mounting systems with roof direct fixing**.

The structural components that are normally installed are:

- **PSA-A** winged aluminium solar profiles for direct fixing.
- **PSE-C**, Aluminium profile for side mounting.
- **GP-XS** INDEXTROUT solar perforated guide.

Used between the roof surface and the profile or guide rail to be attached to ensure the watertightness of both surfaces.

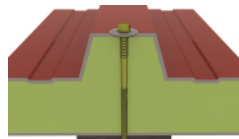
Its high adhesive strength also aids fixing during pre-installation, maintaining the position of the elements during final mounting.

BASE MATERIAL/FIXING SYSTEM

BASE MATERIAL



Metal sheet



Sandwich panel

FIXING SYSTEM

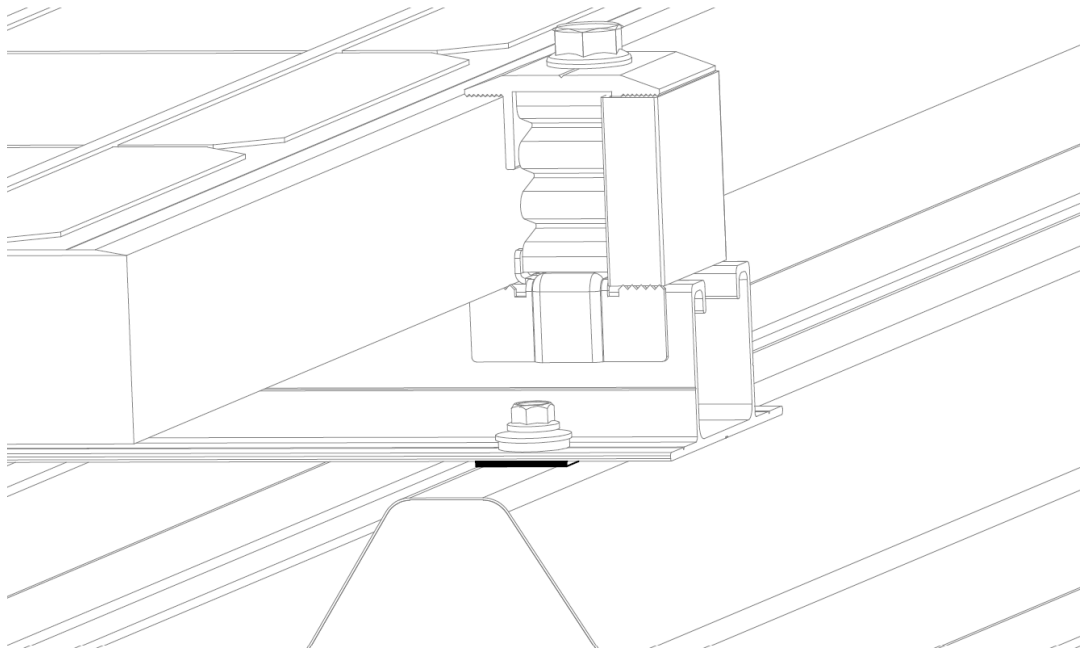


TAC-N / TAC-B / ARENI / AUENI
thin sheet screw
+ vulcanised EPDM washer

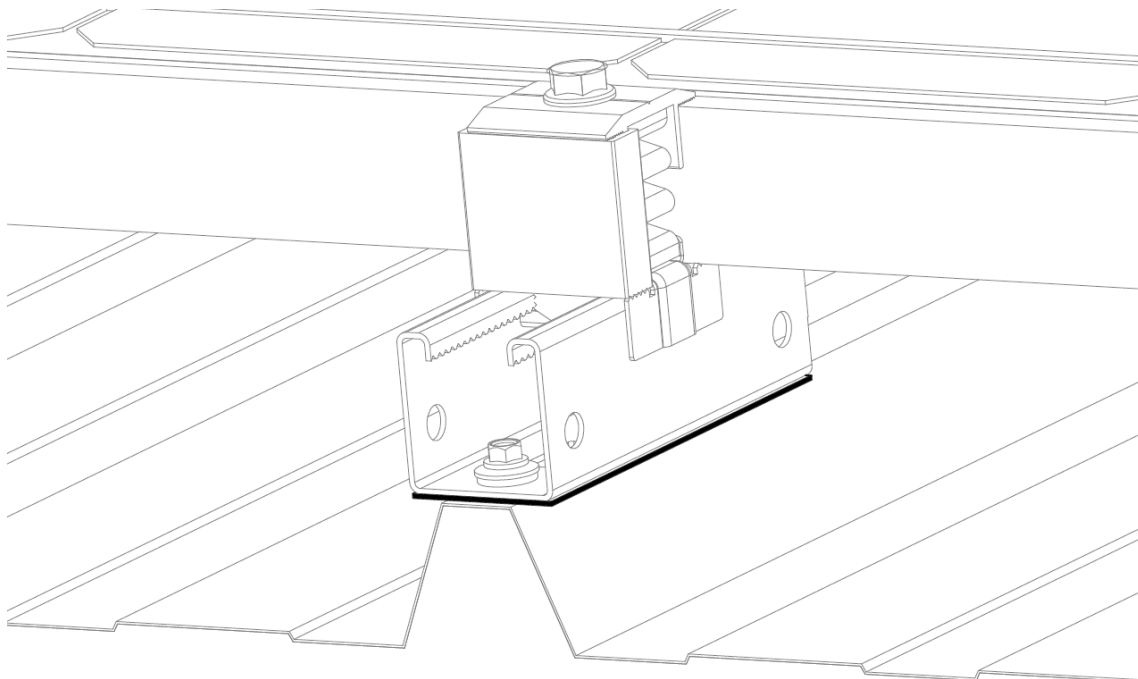


RE-TE
Water-tight trebol rivet

APPLICATION EXAMPLES



Application example 1: mounting under winged aluminium profile for direct fixing PSA-A



Application example 2: mounting under Indextrut solar perforated guide GP-XS

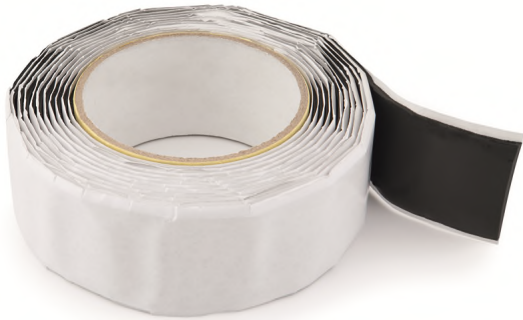
1. RANGE

ITEM	CODE	PHOTO	DESCRIPTION	WIDTH	THICKNESS	LENGTH	MATERIAL
1	CSB0104010		Butylene adhesive sealing tape	40 mm	1 mm	10 m	 Butylene
	CSB0108010			80 mm	1 mm	10 m	

2. INSTALLATION INFORMATION

2.1 CS-B

Butylene adhesive sealing tape

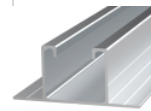


**BUTILO
BUTYL**

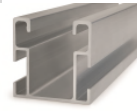
Butylene

Material

Compatible



PSA-A
Winged aluminium profiles for direct fixing



PSE-C
Aluminium profile for side mounting.



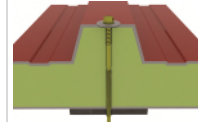
GP-XS
INDEXRUT solar perforated guide

Base material

Attachment accessories



Metal sheet



Sandwich panel



**TAC-N / TAC-B
ARENI / AUENI**
thin sheet screw



RE-TE
Watertight trebol rivet

Measurement table

Code	A (mm)	B (mm)	D (mm)	E (mm)	L (m)
CSB0104010	40	50	76	1	10
CSB0108010	80	90	76	1	10

Drawing

