

## ARS-P



### PRODUCT DESCRIPTION

- Stainless steel A2 umbrella washer + EPDM.

### CHARACTERISTICS

- Watertight umbrella-type washer, widely adaptable to curved surfaces.
- Pre-assembled.
- Includes one metal washer in A2-70 stainless steel.
- Includes one EPDM washer.
- For outside use.
- The metal washer distributes pressure uniformly across the elastic body.
- Widely adaptable elastic body.
- Upper watertight body resistant to tightening torque.
- Inner hole with adjustable collar that can be adapted to threaded shafts.

### ASSESSMENTS



### APPLICATIONS



KFS-AU



KFS-MA



KFS-RV

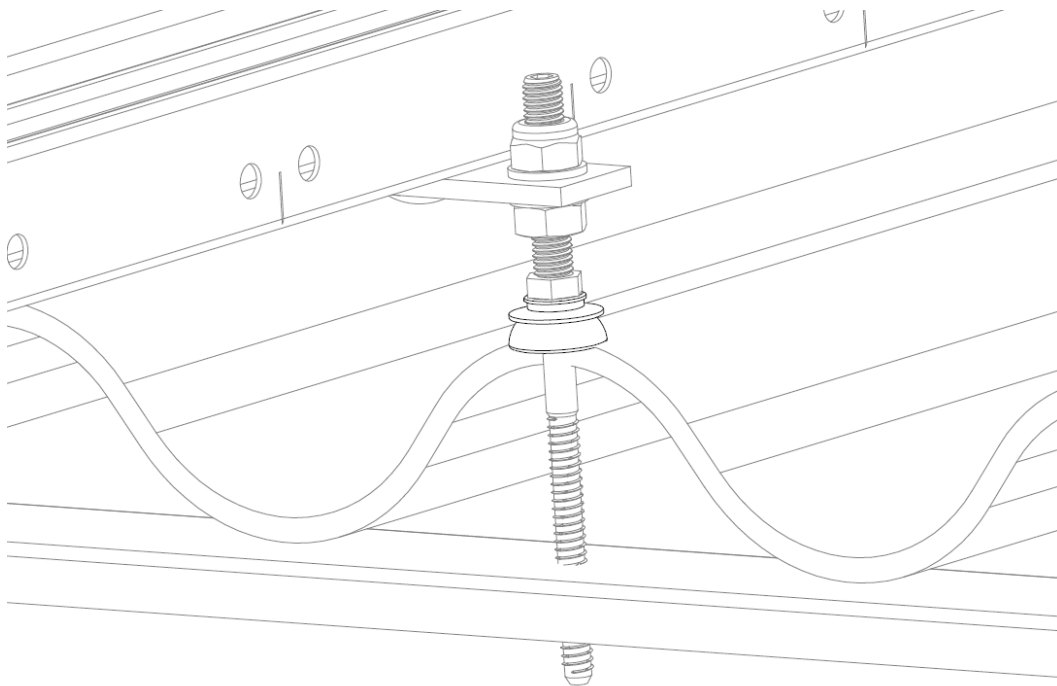
Used with the solar range to ensure watertightness in sub-structure fixing systems that pass through the roof, such as:

- **KFS-AU:** double-threaded screw for metal. Kit includes an **ARS-P** unit.
- **KFS-MA:** double-threaded screw for wood.
- **KFS-RV:** threaded rod for chemical anchor installation.

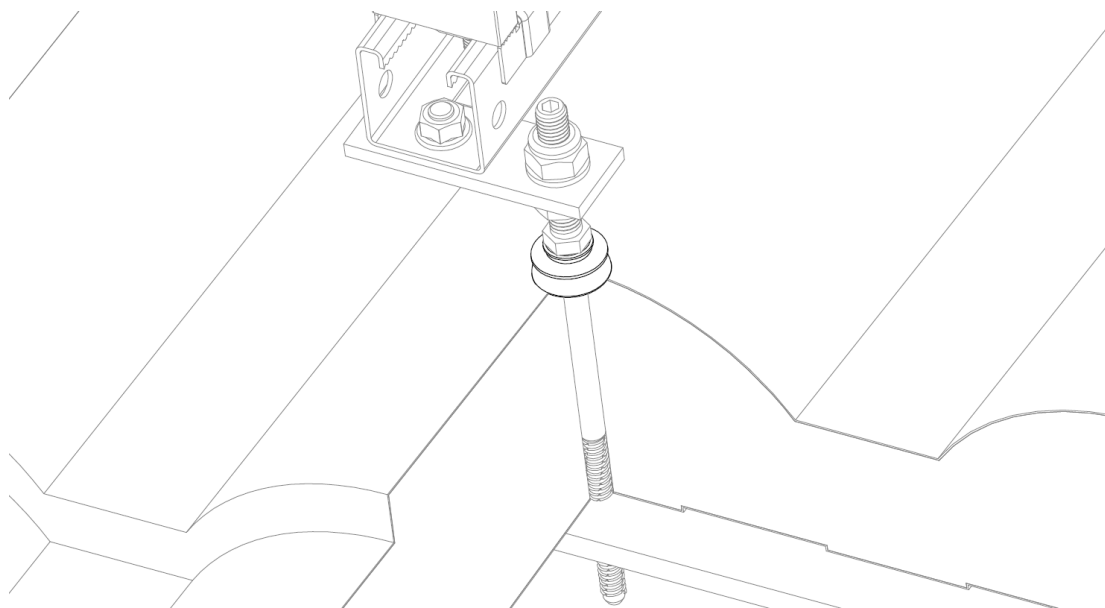
Specially designed for adaptation to curved surfaces.

Offers greater adaptability than other watertight washers with less pressure required in assembly.

**APPLICATION EXAMPLES**






**Application example 1: mounting on fibre-cement roof with fixing to metal structure.**



**Application example 2: mounting on imitation tile sandwich panel roof with fixing to metal structure.**

**1. RANGE**

ITEM	CODE	PHOTO	DESCRIPTION	INTERIOR DIAMETER	MATERIALS
1	ARSP08 ARSP10 ARSP12		Stainless steel A2 umbrella washer + EPDM	8 mm 10 mm 12 mm	 AISI-304  EPDM

## 2. INSTALLATION INFORMATION

### 2.1 ARS-P Stainless steel A2 umbrella washer + EPDM



Material-1



AISI-304

Material-2



EPDM

Compatible



**KFS-AU**  
Shelf tapping screw kit.  
Stainless steel A2



**KFS-MA**  
Double-threaded bolt kit  
Stainless steel A2.



**KFS-RV**  
Threaded rod kit for chemical  
anchor installation.  
Stainless steel A2.

#### Measurement table

Code	A (mm)	B (mm)	C (mm)	D (mm)	E (mm)	F (mm)
ARSP08	8	25	13	3	1	24
ARSP10	10	25	13	3	1	24
ARSP12	12	25	13	3	1	24

#### Drawing

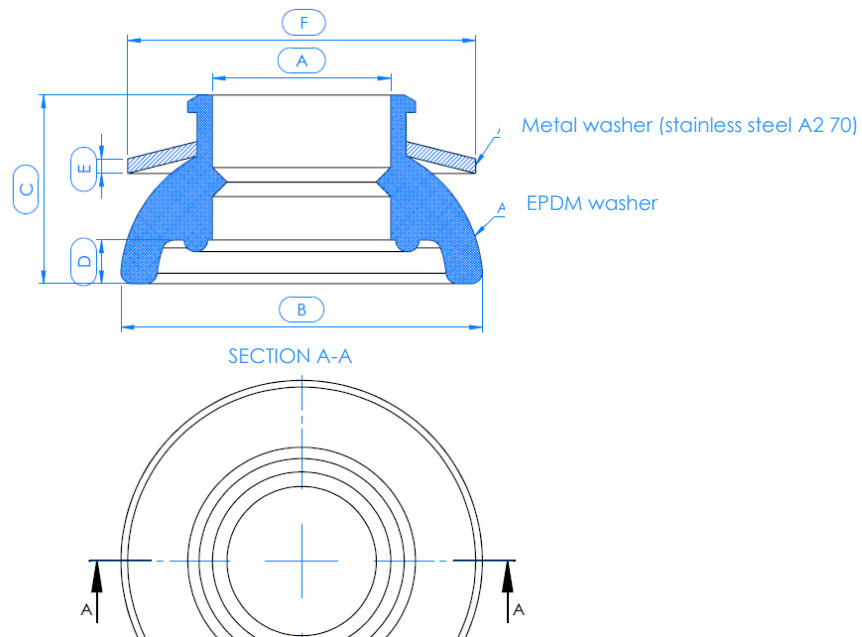


Table showing installation parameters/Pressure of joint on sealed surface

