



TP-GPXS



TP-PSEA



TP-PSAA



TP-PSEC

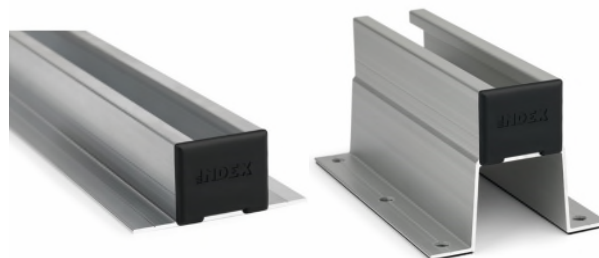
CHARACTERISTICS

- Lateral caps for solar profiles.
- Compatible with actual solar range.
- Material: polypropylene
- Colour: black.
- Quick and stable positioning on the profile, fixing by pressure.
- Decorative function of profiles prevents the lateral of the profile from showing after fixing.
- For outside use.
- It includes a hole to drain rainwater if necessary due to the geometry of the profile.

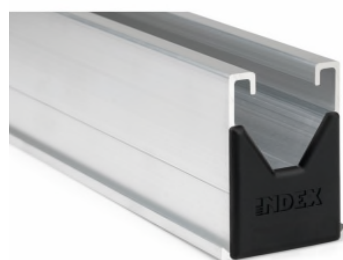
APPLICATIONS EXAMPLE



TP-GPXS in profile GP-XS



TP-PSAA in profiles PSA-A A and PSA-AV



TP-PSEA in profile PSE-A



TP-PSEC in profile PSE-C

1. RANGE

ITEM	PHOTO	CODE	DESCRIPTION	MATERIAL
1		TPPGXS	Lateral cap for GP-XS profile	 Polypropylene
2		TPPSAA	Lateral cap for PSA-A profile	 Polypropylene
3		TPPSEA	Lateral cap for PSE-A profile	 Polypropylene
4		TPPSEC	Lateral cap for PSE-C profile	 Polypropylene

2. INSTALLATION INFORMATION

2.1 TP-GPXS

Lateral cap for GP-XS profile



Material



Polypropylene

Compatible with

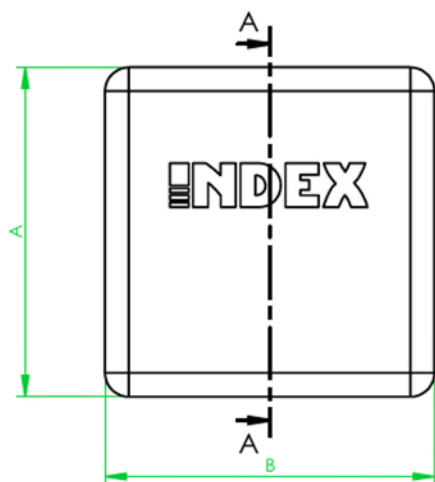


GP-XS
INDEXTRUT solar perforated guide. Atlantis C4-M steel.

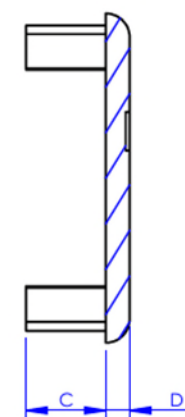
Measurement table

Code	A	B	C	D	E	F	G	H
TPPGPXS	41.3	41.3	10	3	38.4	37.9	5.6	5.6

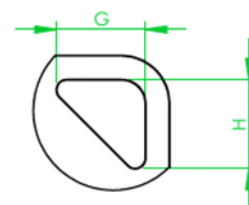
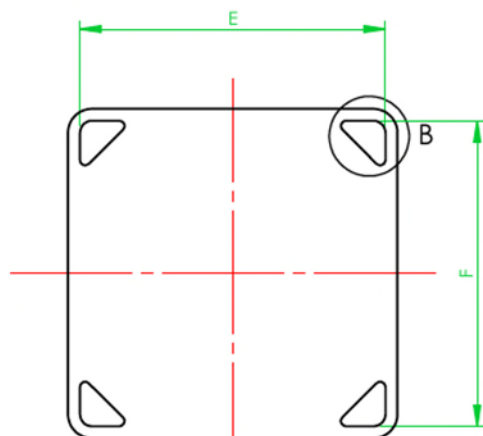
Drawing



VISTA TRASERA / BACK VIEW



SECCIÓN A-A
SECTION A-A



DETALLE B/ DETAIL B

2.2 TP-PSAA

Lateral cap for PSA-A profile

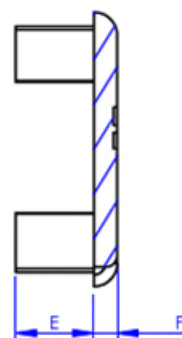
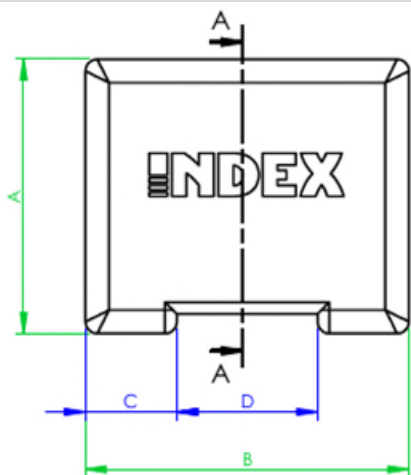


Material	Compatible with	
<p>POLIPROPILENO POLYPROPYLENE</p>		
Polypropylene	<p>PSA-A Winged aluminium profile</p>	<p>PSA-AV Aluminium profile with wings for discontinuous direct valley fixing.</p>

Measurement table

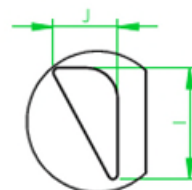
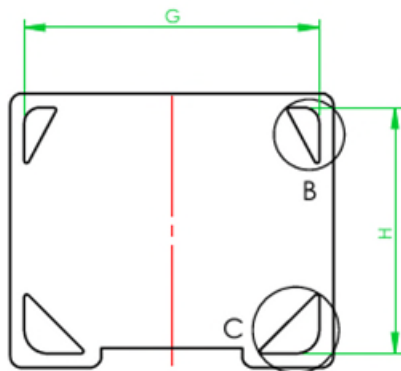
Code	A	B	C	D	E	F	G	H	I	J	K	L
TPPGXS	35	41.3	11.7	18	10	3	38	32	4.1	7.1	7.5	7.5

Drawing

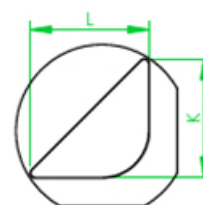


SECCIÓN A-A
SECTION A-A

VISTA TRASERA / BACK VIEW



DETALLE B
DETAIL B



DETALLE C
DETAIL C

2.3 TP-PSEA

Lateral cap for PSE-A profile



Material

POLIPROPILENO
POLYPROPYLENE

Polypropylene

Compatible with

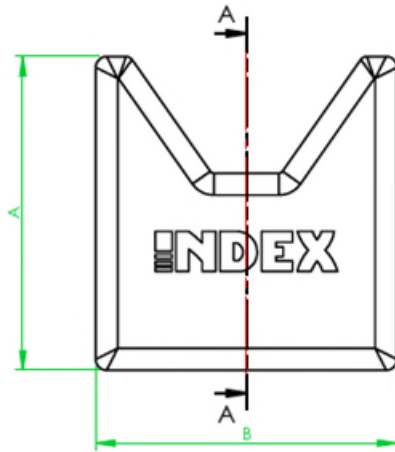


PSE-A
Aluminium profile for assembled fixing

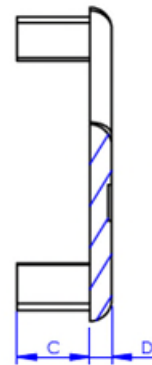
Measurement table

Code	A	B	C	D	E	F	G	H	I	J
TPPGPXS	43	41.3	10	3	38.7	40.6	6	2.8	6.5	5.2

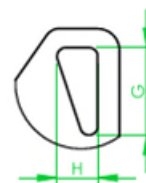
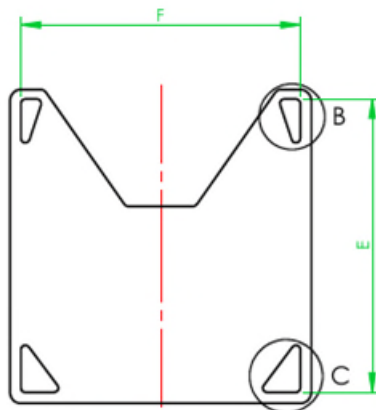
Drawing



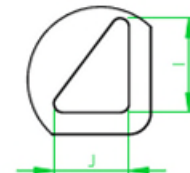
VISTA TRASERA / BACK VIEW



SECCIÓN A-A
SECTION A-A



DETALLE B
DETAIL B



DETALLE C
DETAIL C

2.4 TP-PSEC

Lateral cap for PSE-C profile

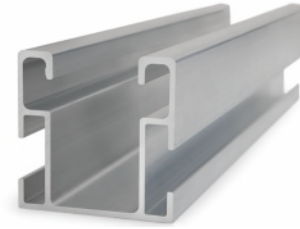


Material

POLIPROPILENO
POLYPROPYLENE

Polypropylene

Compatible with

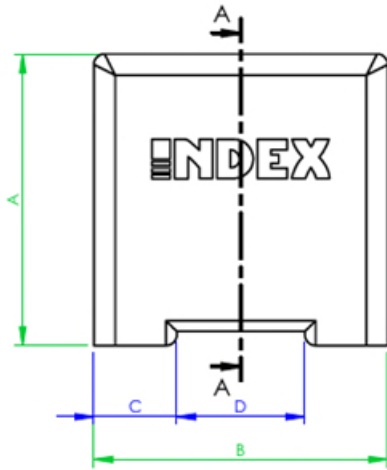


PSE-C
Aluminium profile for side mounting.

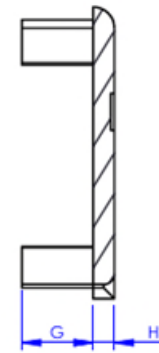
Measurement table

Code	A	B	C	D	E	F	G	H	I	J	K	L
TPPGPXS	41	41.3	11.7	18	38.3	38.7	10	3	5.8	5.5	6.4	4.9

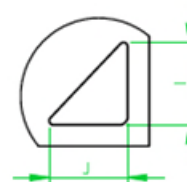
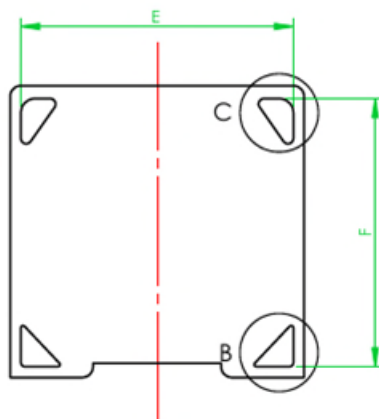
Drawing



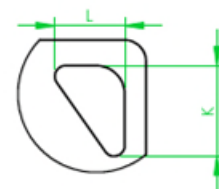
VISTA TRASERA / BACK VIEW



SECCIÓN A-A
SECTION A-A



DETALLE B
DETAIL B



DETALLE C
DETAIL C