

KFS-FL



PRODUCT DESCRIPTION

- Cross connector for lateral fixing.

CHARACTERISTICS

- Pre-assembled kit for lateral fixing of PSE-A profile.
- Includes one profile in 6005-T6 anodised extruded aluminium alloy.
- Includes one DIN-933 bolt, one DIN-127 (M8) washer and one DIN-934 (M8) nut in A2-70 stainless steel.
- For outside use.
- Attachment to the side of PSE-A profiles without interfering with any operations
- 40 mm-long with a vertical 36-mm wing, designed for a pre-stressed joint that is resistant to torsion on the profile.
- Quick, accessible fixing with a single bolt.
- Facilitates pre-assembly and the adjustment of profiles thanks to its elastic washer.
- Allows dismantling without damaging structural elements, maximum tightening torque: 14 Nm.
- Guide groove on the vertical wing that allows attachment drill holes to be made in the longitudinal joint areas between profiles.

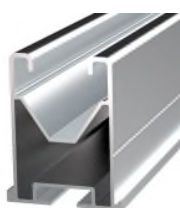
ASSESSMENTS



APPLICATIONS



TPA-R



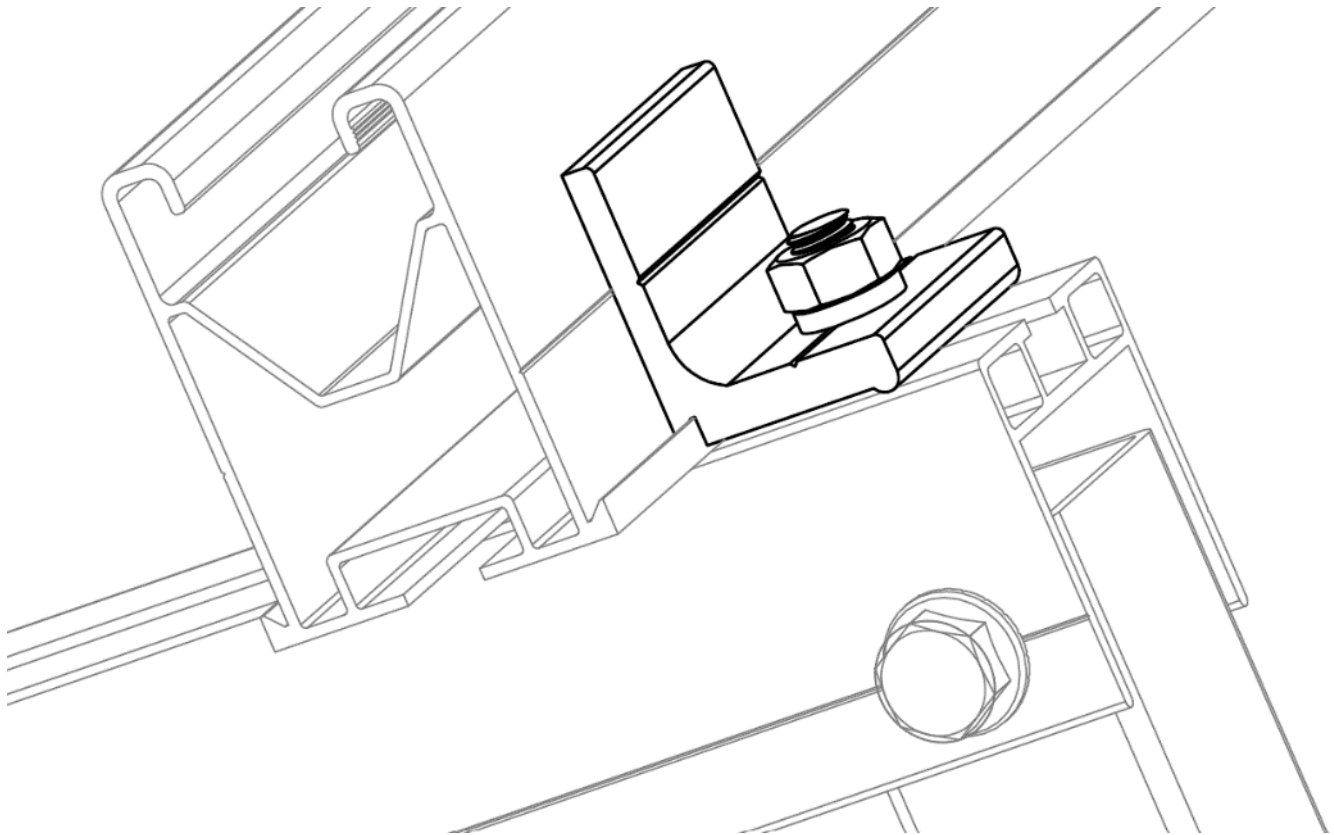
PSE-A

These are used in **assembled aluminium triangle fixing systems**, to complement the joint between the **TPA-R** “pre-assembled and adjustable aluminium triangle” and the **PSE-A** “aluminium profile for assembled fixing” as a cross-connector between the two.

The specific design allows a connection between the side walls of the **PSE-A** profile, producing a strong pre-stressed joint without interfering with any profile operations.





Attachment is via a single M8 **DIN-933** bolt (included in the kit) which is introduced into the upper groove of the **TPA-R** triangle.

APPLICATION EXAMPLE



Application example 1: mounting on adjustable aluminium triangle.

1. RANGE

ITEM	CODE	PHOTO	DESCRIPTION	LENGTH	MATERIAL	FINISH
1	KFSFLM08		Cross connector for lateral fixing	40 mm	 6005-T6 aluminium	 Anodised
					 AISI 304 A2-70	

2. INSTALLATION INFORMATION

2.1 KFS-FL

Cross connector for lateral fixing

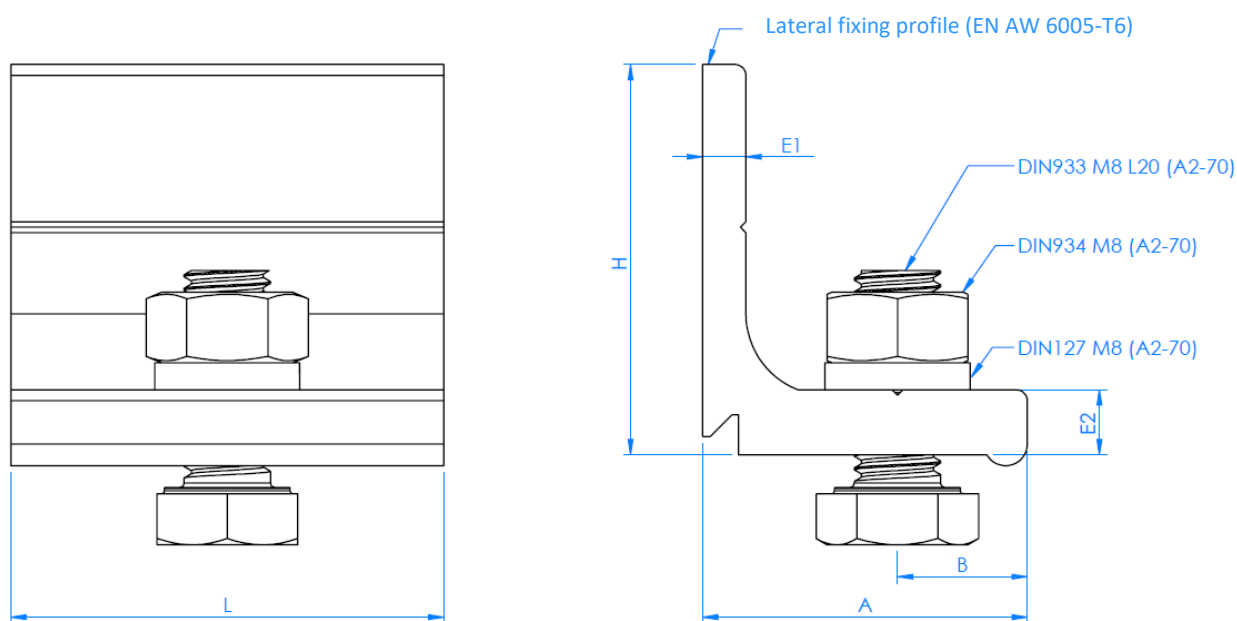


Material	Finish	Compatible with	
 6005-T6 aluminium	 Anodised	 PSE-A Aluminium profile for assembled fixing	 TPA-R Pre-assembled and adjustable aluminium triangle
 A2-70			

Measurement table

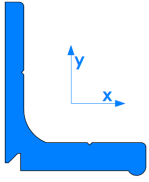
Code	A (mm)	H (mm)	E1 (mm)	E2 (mm)	L (mm)
KFSFLM08	30	36	4	6	40



Drawing



Mechanical properties of the materials

	Yield strength $F_{y0.2}$ (N/mm ²)	Ultimate load F_u (N/mm ²)	Elastic modulus E (N/mm ²)	Transverse elastic modulus G (N/mm ²)	Linear expansion coefficient α_L ($\mu\text{m}/^\circ\text{C}$)	Specific weight ρ (kg/m ³)
EN AW-6005-T6 aluminium	225	270	69,500	26,200	23.3	2,710
A2-70 stainless steel	450	700	193,000	78,000	17.3	7,930

Mechanical properties of the profile.					
	Area S (cm ²)	Moment of inertia I _x (cm ⁴)	Moment of inertia I _y (cm ⁴)	Moment of inertia I _z (cm ⁴)	Linear weight W (kg/m)
 KFS-FL/Profile	3.02	3.24	2.61	5.85	0.815

Installation properties					
Profile	Installation system	Bolt metric	Maximum installation tightening torque (Nm)	Installation wrench (mm)	Design load NRd (kN)
 PSE-A	 TPA-R	M8	14	SW13	1.45

We recommend that two **KFSFLM08** units are used to attach each **PSE-A** profile in each joint area.