

KFS-FI



PRODUCT DESCRIPTION

- Cross connector for bottom fixing.

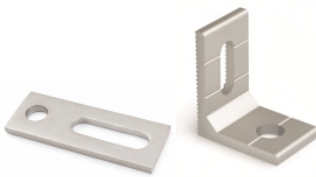
CHARACTERISTICS

- Pre-assembled kit for bottom fixing of **PSE-A** and **PSE-C** "aluminium profile for assembled fixing".
- Includes one hammerhead bolt and one **DIN-6923** nut, both in M8 and in A2-70 stainless steel.
- For outside use.
- Attachment through bottom groove on **PSE-A** and **PSE-C** profiles without interfering with any operations.
- The head of the bolt can be introduced into the groove at any point along its length.
- The square neck helps to prevent the head of the bolt from being incorrectly positioned within the profile groove.
- Allows dismounting without damaging structural elements, maximum tightening torque: 14 Nm.

ASSESSMENTS



APPLICATIONS



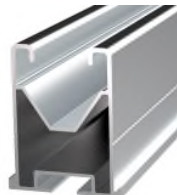
PMO / PMO-L



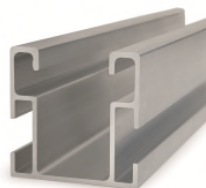
GS-TC/GS-TU



STR



PSE-A



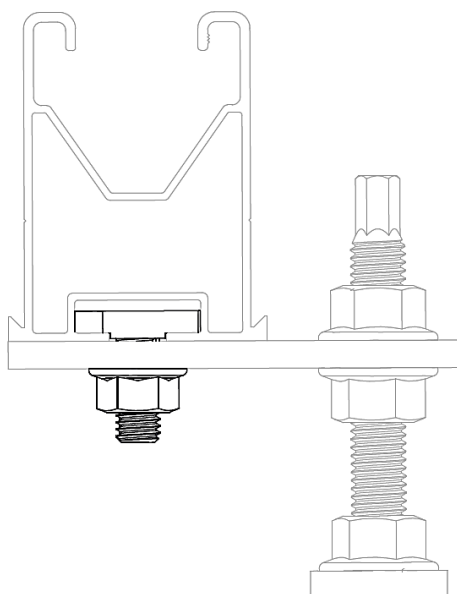
PSE-C

These are used in "coplanar aluminium installation systems with assembled fixing", to complement the join between the selected fixing system and the **PSE-A** y **PSE-C** "aluminium profile for assembled fixing", as a connector between the two.

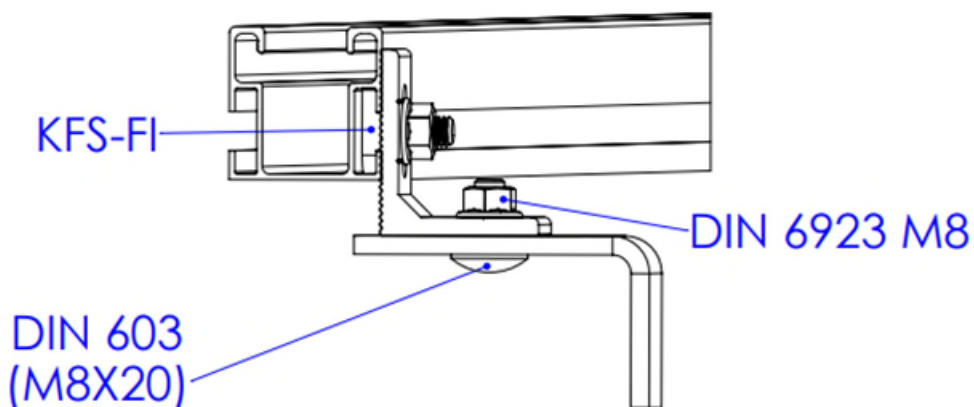
The fixing systems with which it is used are the following:

- The Double-threaded screws used on wood, metal and chemical anchors, joining the bottom groove of the **PSE-A** "aluminium profile for assembled fixing" and the slotted hole of the **PMO** "assembly plate for double-threaded screws" and lateral groove of the **PSE-C** "aluminium profile for assembled fixing" and the slotted hole of the **PMO-L** "assembly plate for double-threaded screws".
- The **GS-TC** "adjustable roof hook for curved roof tiles" and the **GS-TU** "adjustable roof hook for universal roof tile", joining the bottom groove of the **PSE-A** "aluminium profile for assembled fixing" and the slotted hole on the top face of the roof hooks and the **PSE-C** "aluminium profile for assembled fixing" and the **PMO-L**.
- The **STR** "adjustable support for trapezoidal roofs", joining the bottom groove of the **PSE-A** "aluminium profile for assembled fixing" and the slotted hole on the top face of the support and the **PSE-C** "aluminium profile for assembled fixing" and the **PMO-L**.

APPLICATION EXAMPLE





Application example 1: mounting of the PSE-A profile on double-threaded screw.



Application example 2: mounting of the PSE-C profile on roof hooks for curved tiles.

1. RANGE

ITEM	CODE	PHOTO	DESCRIPTION	METRIC	MATERIAL
1	KFSFIM08		Cross connector for bottom fixing	M8	 A2-70

2. INSTALLATION INFORMATION

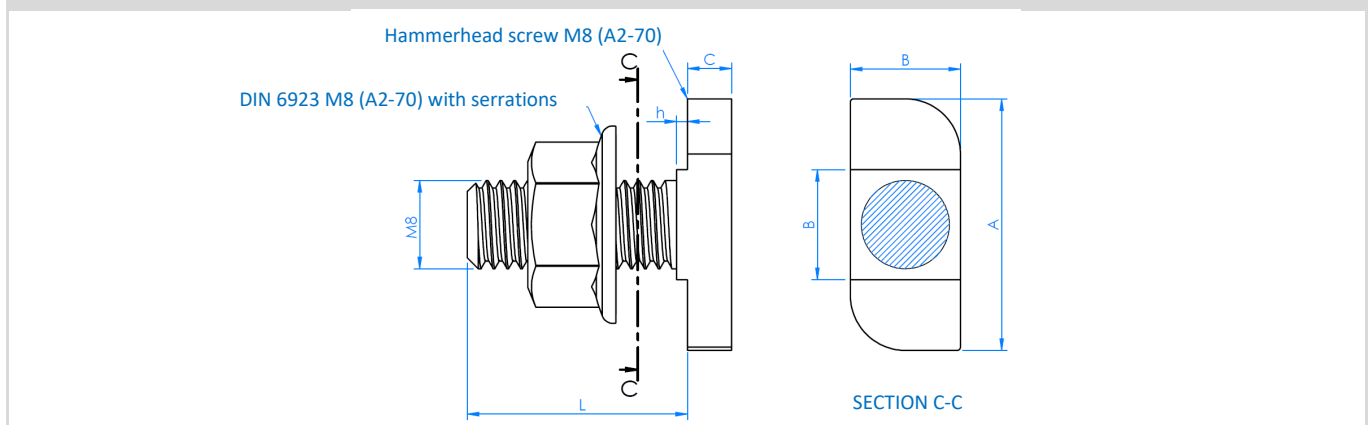
2.1 KFS-FI Cross connector for bottom fixing

	Material  A2-70	Compatible with	
		 PSE-A / PSE-C Aluminium profile for assembled fixing	 GS-TC / GS-TU Adjustable roof hook for curved/universal tiles
		 PMO / PMO-L Plate for double threaded screw	 STR Adjustable support for trapezoidal roof

Measurement table

Code	A (mm)	B (mm)	C (mm)	h (mm)	L (mm)
KFSFIM08	22.8	10	4	1	20

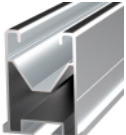


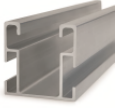

Drawing



Mechanical properties of the materials

	Yield strength $F_{y0.2}$ (N/mm ²)	Ultimate load F_u (N/mm ²)	Elastic modulus E (N/mm ²)	Transverse elastic modulus G (N/mm ²)	Linear expansion coefficient α_L ($\mu\text{m}/^\circ\text{C}$)	Specific weight ρ (kg/m ³)
A2-70 stainless steel	450	700	193,000	78,000	17.3	7,930

Installation properties

Profile	Installation system	Bolt metric	Maximum installation tightening torque (Nm)	Installation wrench (mm)	Design load N_{Rd} (kN)
 PSE-A	 PMO / PMO-L	M8	14	SW13	3
	 GS-TC / GS-TU	M8	14	SW13	3
 PSE-C	 STR	M8	14	SW13	3