



AB-PE



AB-CH










CHARACTERISTICS

- Heavy clamps for heavy pipes.
- Surface finish: electrolytic zinc plating, coating >5 microns.
- Clamps with M8, M10, M12 thread.
- FM certification for fire extinguishing pipes.
- Both clamps are classified with a class A1 reaction to fire according to the UNE EN 13501-1 standard: “they do not contribute to fire”
- Employment: Firefighter.

BASE MATERIAL



1. RANGE

ITEM	CODE	PHOTO	SIZES [mm]	COATING	THICKNESS [mm]	WIDTH [mm]	COUPLING NUT	CERTIFICATION	
1	AB-PE		Ø28 – Ø220		1 – 2,5	21 – 39	M10 ≤ Ø115 M12 > Ø115		
2	AB-CH		Ø28 – Ø405		2,5 – 6,0	22,5 – 64,0	---		

2. INSTALLATION DATA

2.1 AB-PE

Sprinkler pipe clamp



Benefits



Coating



Zinc-plated

Base Material



Steel pipes

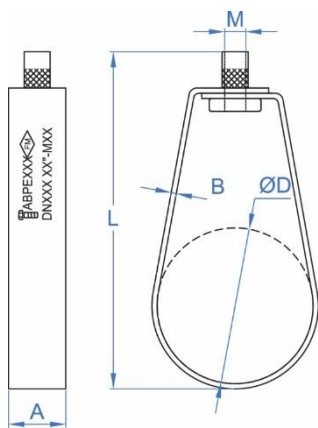


Firefighting pipes

Installation data

Code	Size [mm]	Ø D (mm)	Ø D (")	A x B (mm)	Maximum load recommended (kg)	Length (mm)	M	DN
ABPE028	28	25 - 31	3/4"	21 x 1	153	72	M10 (3/8")	DN 20
ABPE035	35	32 - 38	1"	21 x 1	172	78	M10 (3/8")	DN 25
ABPE040	44	41 - 47	1 1/4"	21 x 1,2	196	88	M10 (3/8")	DN 32
ABPE048	50	47 - 53	1 1/2"	21 x 1,2	239	95	M10 (3/8")	DN 40
ABPE060	62	59 - 65	2"	21 x 1,2	290	105	M10 (3/8")	DN 50
ABPE075	77	74 - 80	2 1/12"	21 x 1,2	385	125	M10 (3/8")	DN 65
ABPE090	90	87 - 93	3"	21 x 1,2	484	140	M10 (3/8")	DN 80
ABPE100	100	97 - 103	3 1/2"	21 x 1,2	574	160	M10 (3/8")	DN 90
ABPE115	115	112 - 118	4"	21 x 2	673	173	M10 (3/8")	DN 100
ABPE140	142	139 - 145	5"	31 x 2	913	209	M12 (1/2")	DN 125
ABPE160	170	167 - 173	6"	31 x 2,25	1194	249	M12 (1/2")	DN 150
ABPE220	221	218 - 224	8"	39 x 2,5	1836	309	M12 (1/2")	DN 200

DRAWING



CHARACTERISTICS

- Pipes from DN20 to DN200 mm.
- Surface coating: electrolytic zinc plated, coating >5 microns.
- One piece clamp, without screw, with threaded and knurled screw.
- Nut of M10 or M12 depending on size.
- FM Certificate available.
- Recommended for horizontal and suspended firefighting pipes.
- Easy and quick installation.

2.2 AB-CH

Clevis pipe clamp



Benefits



Coating



Zinc-plated

Base Material



Steel pipes



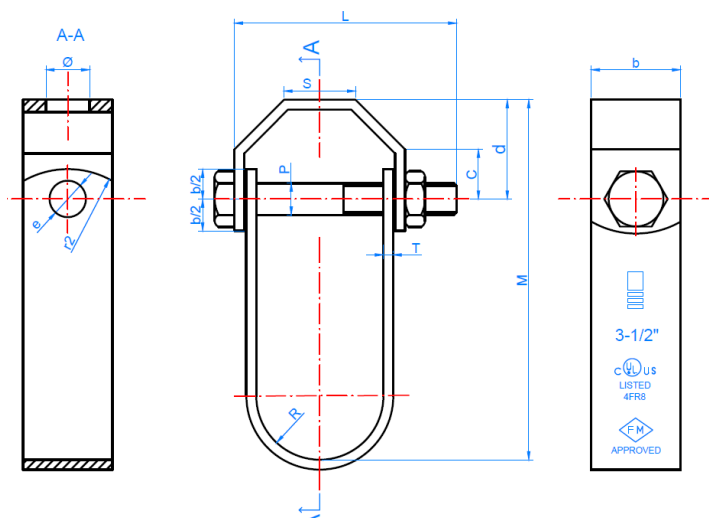
Firefighting pipes

Installation data

Code	Size [mm]	Ø DN	Ø D [mm]	L1 [mm]	L2 [mm]	Certification	A x B [mm]
ABCH00034	3/4"	20	31	82,5	50	UL	22,5 x 2,5
ABCH01000	1"	25	37	99	57	UL	22,5 x 2,5
ABCH01014	1 – 1/4"	32	46	106	70	UL	22,5 x 2,5
ABCH01012	1 – 1/2"	40	50	107	75	UL	22,5 x 2,5
ABCH02000	2"	50	65	126	90	UL	25,5 x 2,5
ABCH02012	2 – 1/2"	65	80	156	110	UL & FM	26 x 3
ABCH03000	3"	80	90	169	115	UL & FM	26 x 3
ABCH04000	4"	100	122	200	150	UL & FM	30 x 4
ABCH05000	5"	125	147	231	200	UL & FM	32 x 4,5
ABCH06000	6"	150	173	260	225	UL & FM	36,5 x 4,5
ABCH08000	8"	200	223	329	280	UL	42,5 x 4,5
ABCH10000	10"	250	291	381	690	UL	44,5 x 6
ABCH12000	12"	--	341	457	410	UL	50 x 6
ABCH14000	14"	--	385	514	465	-	50 x 6
ABCH16000	16"	--	420	560	520	-	64 x 6

DRAWING

CHARACTERISTICS



- For pipes from 3/4 "to 16".
- Surface finish: electrolytic zinc plating, coating > 5 microns.
- FM and UL approval available.
- Especially suitable for horizontal and suspended pipes for firefighting installations.
- Ease and speed of assembly.

3. ENDURANCE

According to the NFPA 13 of 2019 “Standard for the installation of Sprinkler Systems” and for a “Schedule 40” pipe, the maximum distance between clamps that may exist for this type of products is indicated below, as well as the corresponding factored load.

CODE	Measure	Ø DN	Maximum distance between supports [m]	Extended load [kN]	Certification
ABCH00034	3/4"	20	3,7*	1,49	UL
ABCH01000	1"	25	3,7	1,67	UL
ABCH01014	1 – 1/4"	32	3,7	1,91	UL
ABCH01012	1 – 1/2"	40	4,6	2,33	UL
ABCH02000	2"	50	4,6	2,83	UL
ABCH02012	2 – 1/2"	65	4,6	3,76	UL & FM
ABCH03000	3"	80	4,6	4,74	UL & FM
ABCH04000	4"	100	4,6	6,60	UL & FM
ABCH05000	5"	125	4,6	8,94	UL & FM
ABCH06000	6"	150	4,6	11,70	UL & FM
ABCH08000	8"	200	4,6	18,00	UL
ABCH10000	10"	250	4,6*	26,20	UL
ABCH12000	12"	300	4,6*	35,39	UL
ABCH14000	14"	350	4,6*	42,14	-
ABCH16000	16"	400	4,6*	54,66	-

*Distance not collected by the NFPA 13.

4. Official documentation

Through our commercial department or our website www.indexfix.com you can obtain the following documents:

- UL Certificate of Conformity according to standard (s) ANSI / UL 203, "Pipe Hanger Equipment for Fire Protection Service." UL_ABCH.
- Certified according to FM Approval Standard for Pipe Hanger Components for Automatic Sprinkler Systems FM_ABCH.